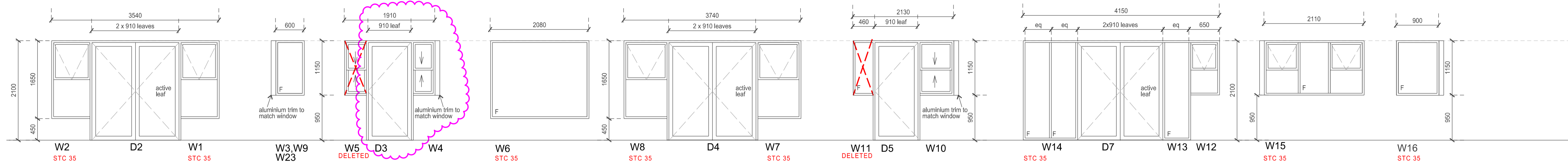
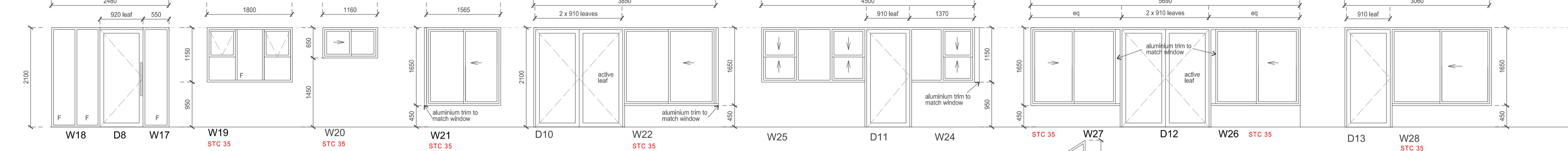


EXTERNAL GLAZING IN TIMBER FRAMED WALLS

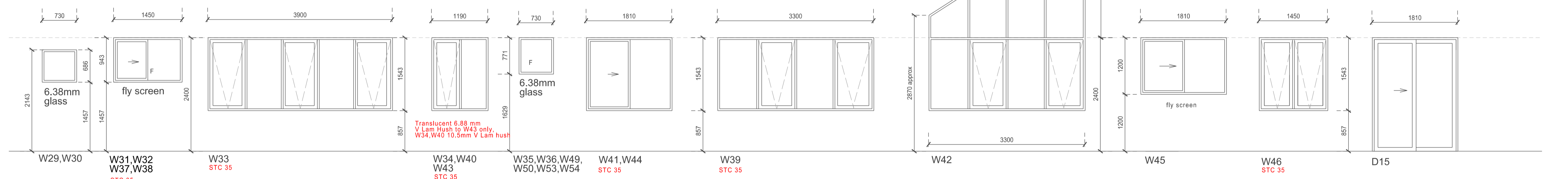


- NOTES** ALL DIMENSIONS TO BE CHECKED ON SITE
- Doors and windows are shown as external view
 - Unless otherwise indicated, external windows are silver anodised aluminium 25microns AWS 400 Series Awning - series 465 Double-hung - series 463 Sliding - series 462
 - Hinged Aluminium doors AWS Commercial Series 50 Sliding Aluminium Series 704
 - Glazing except where noted to be 10.5mm V-Lam Hush
 - Where noted on schedule opening panes of external windows to have matching aluminium flyscreens with Tuff Screenmesh
 - Windows to have cam locks keyed alike
 - High light windows - opening sashes to have concealed electric winders
 - Mounting heights for door hardware are shown in the specification
 - Internal window framing to be white powder coated aluminium
 - Sliding Aluminium Door D15 to be supplied with mortice lock with internal snib and Icon pull handles

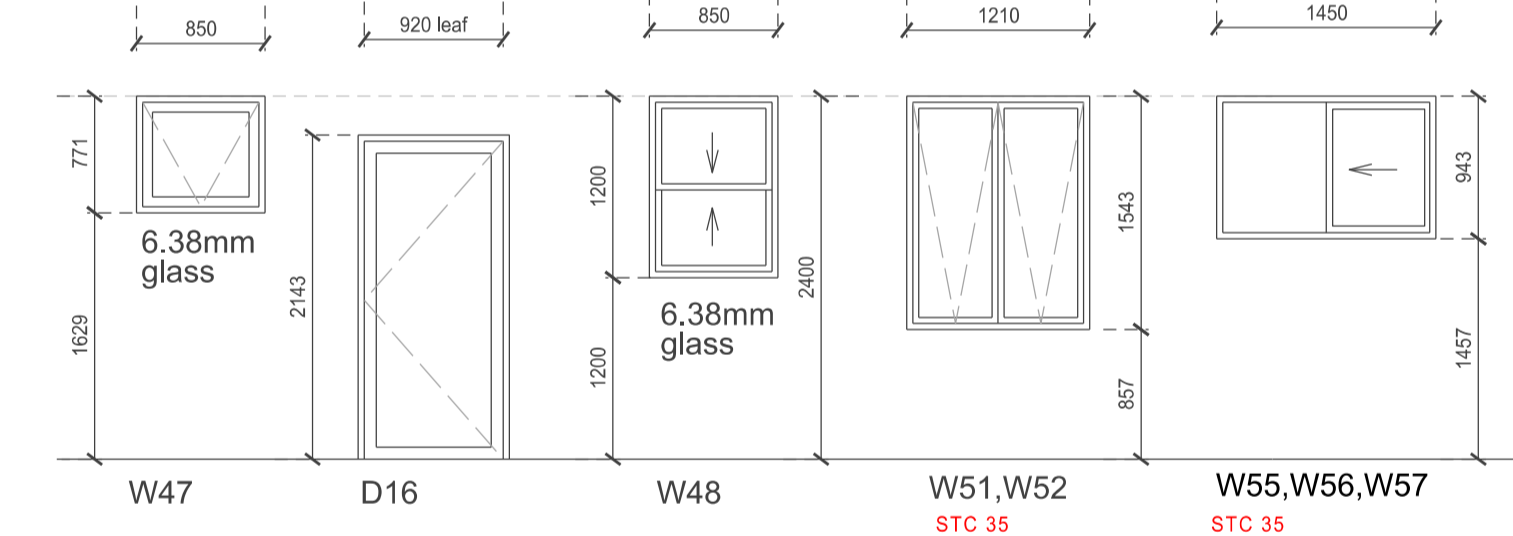
EXTERNAL GLAZING IN TIMBER FRAMED WALLS



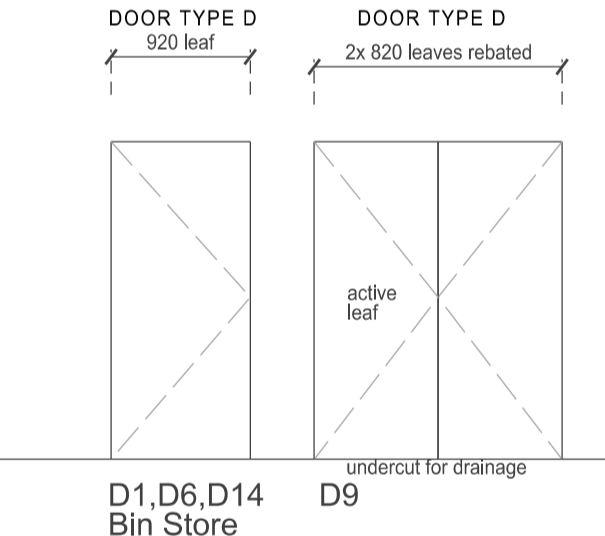
EXTERNAL GLAZING IN BRICK VENEER WALLS



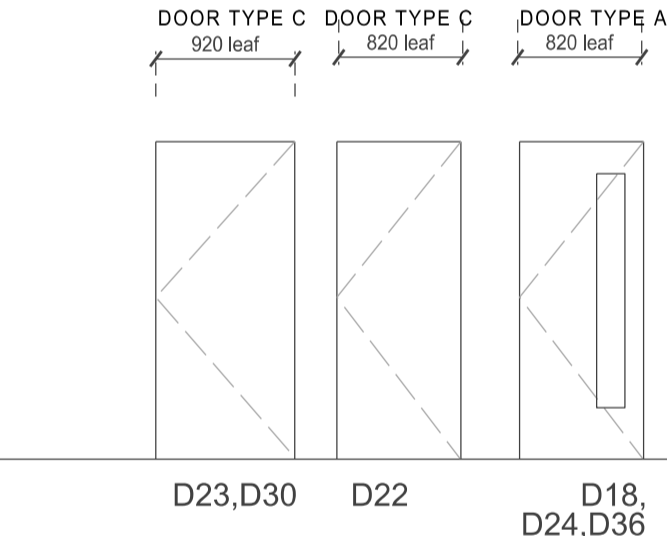
EXTERNAL GLAZING IN BRICK VENEER WALLS



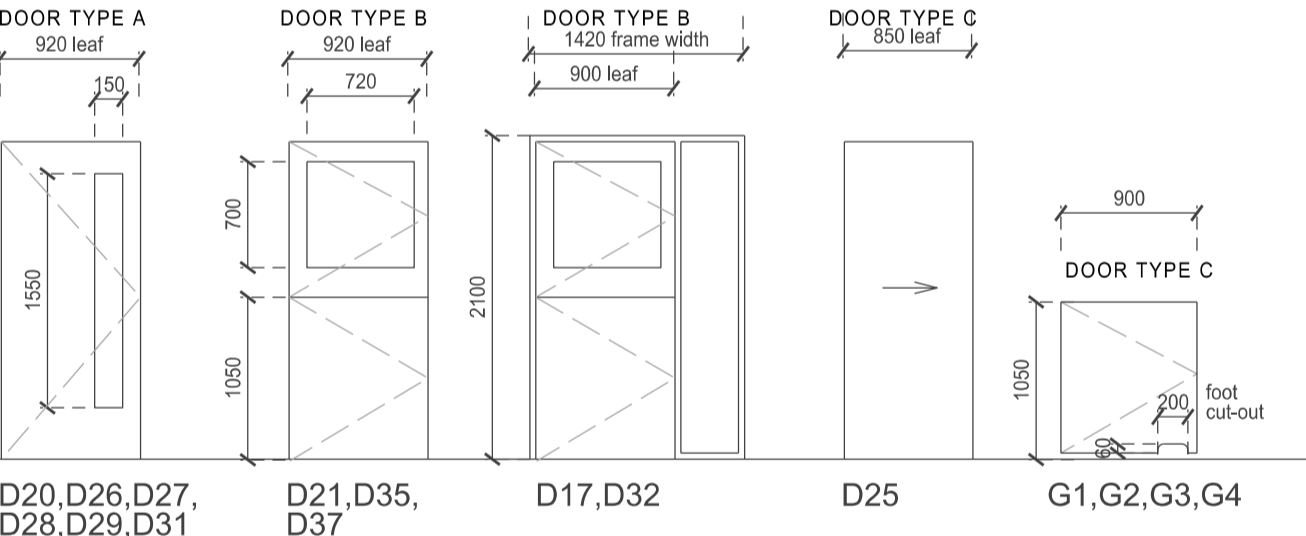
EXTERNAL TIMBER DOORS



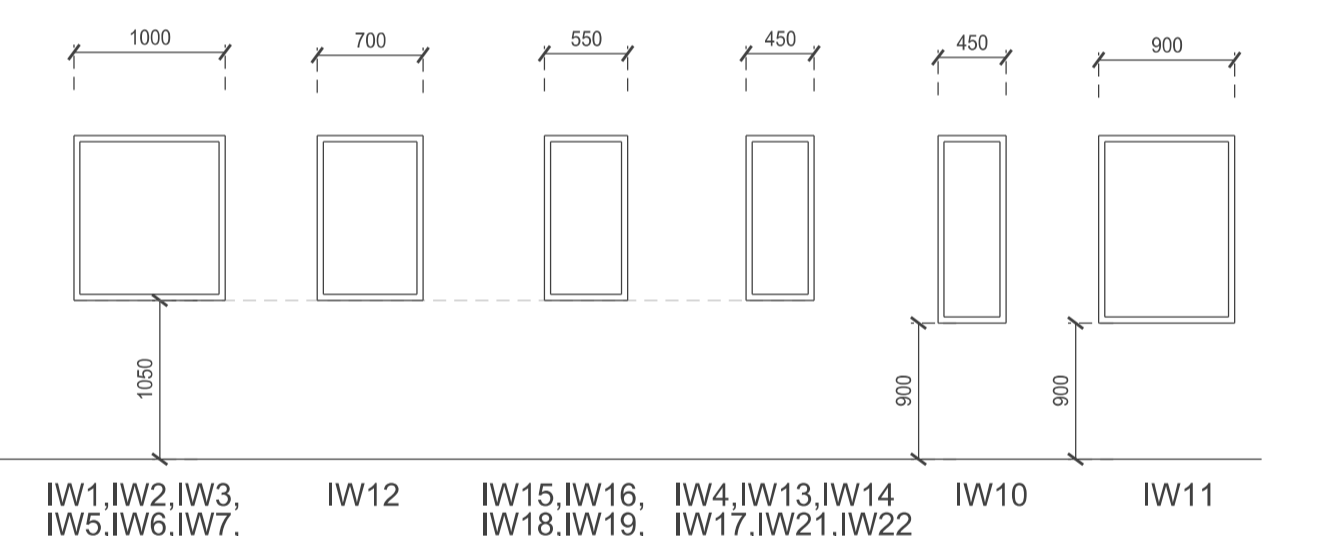
INTERNAL TIMBER DOORS



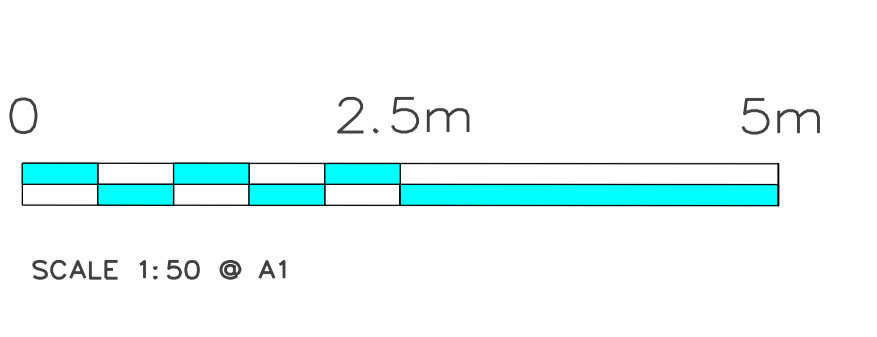
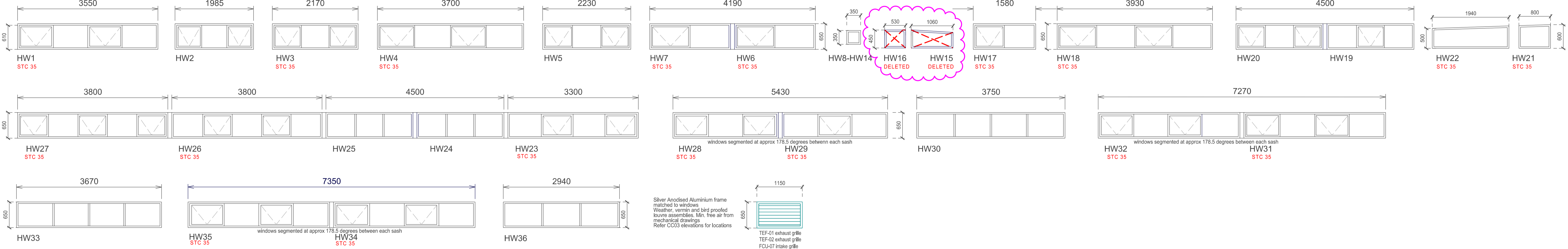
INTERNAL WINDOWS door swings as shown on plan



INTERNAL WINDOWS Refer Detail 12/18 with sill varied to suit linings both sides



HIGHLIGHT WINDOWS IN TIMBER FRAMED WALLS dimensions approximate



Dillon & Savage Architects
 40 Quinton Rd, Manly, 2095
 Phone: (02) 9977 3714 Fax: (02) 9977 8215
 email: dsarchs@bigpond.net.au

Client
LEICHHARDT COUNCIL

Project
**Proposed Child Care Centre
 Leichhardt Park**

Drawing
OPENINGS SCHEDULE

H	8/9/16	HW15/16 deleted, D3 swing reversed
G	3/9/16	W5, W11 deleted, translucent glazing to W43, balcony panels deleted, HW15, HW16, HW21, HW22
F	20/5/16	STC 35 rated windows amended to STC 35 - W19, W20, W28, W33, W34, HW15, HW16, HW22, HW23, HW23
E	6/5/16	STC 35 rating deleted from glazed doors
D	27/4/16	Aluminium trim shown to W4, W10, W15/16, W23/24, W21/22, W25/21/22/23
C	16/7/15	CONSTRUCTION ISSUE
B	19/4/15	Issued for Tender
A	23/3/15	Issued for pre-tender estimate
Date	Amendment	

Drawing No. 103 131 TD07	
Issue H	Date March 2015
Scale 1:50 @A1	Drawn Checked