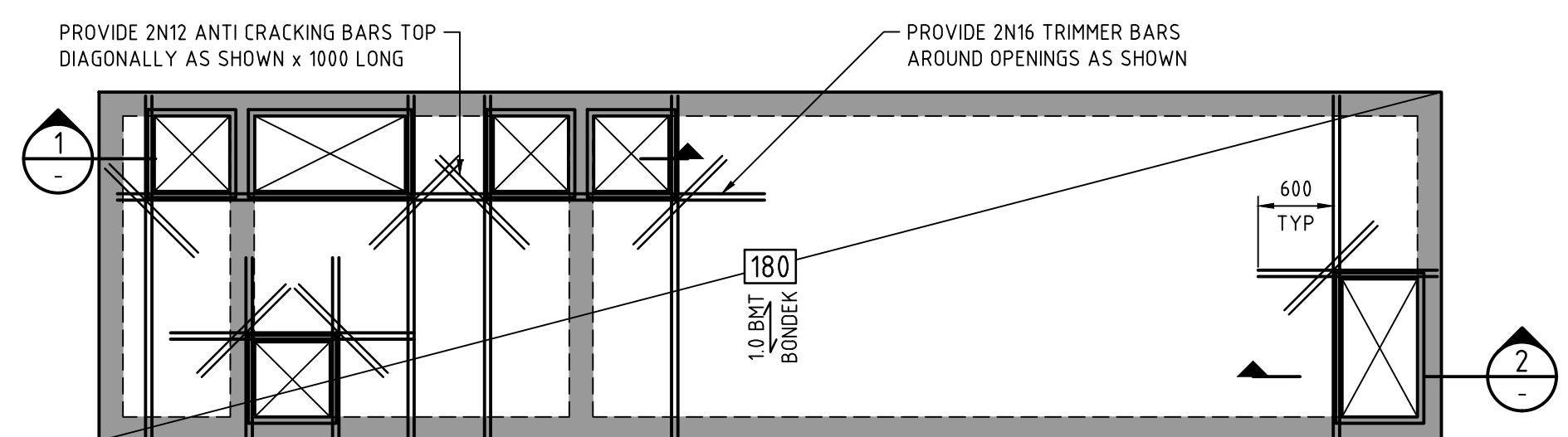


PLAN ON OSD TANK BASE SLAB

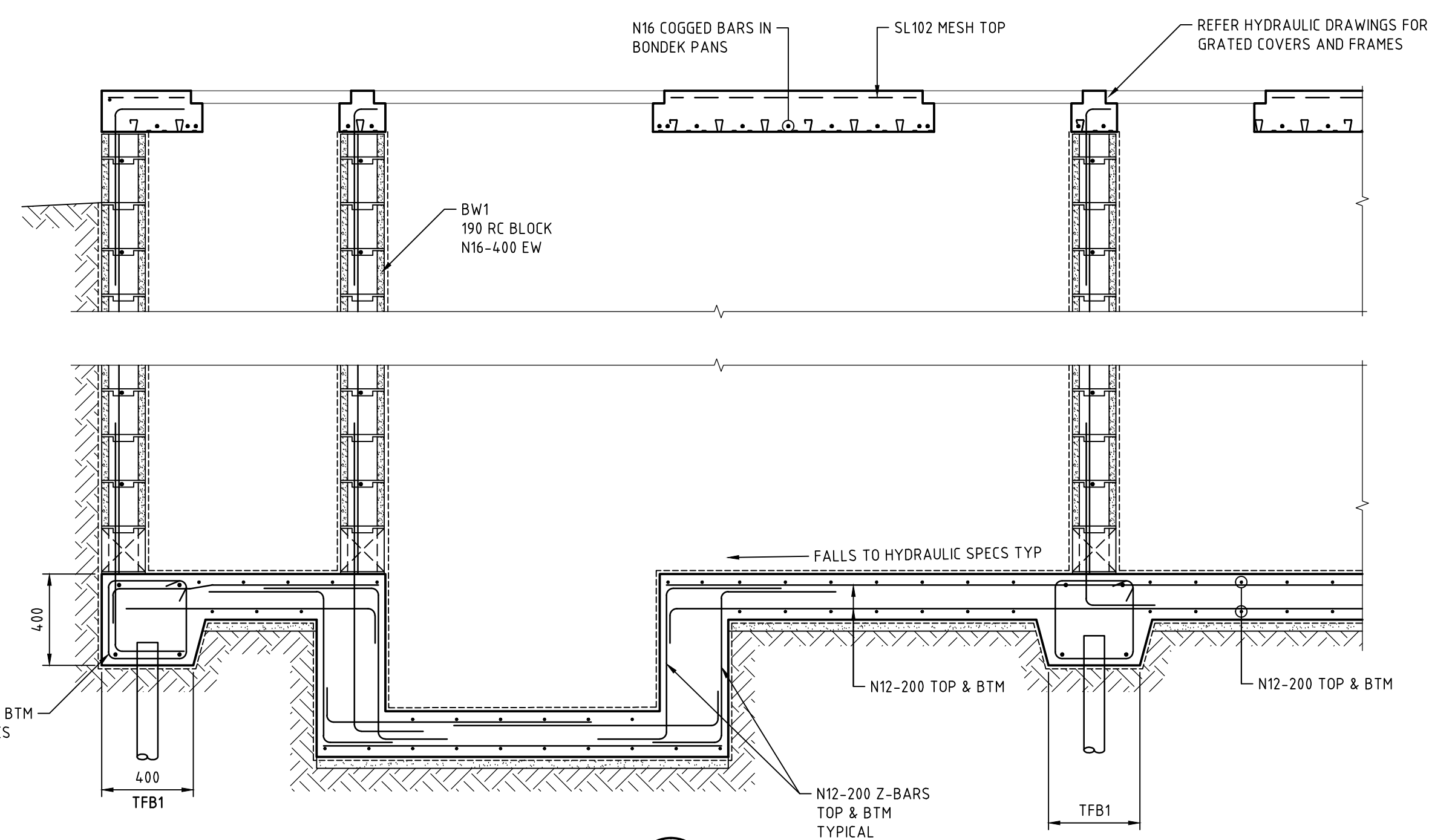
SCALE 1:50

NOTE
 THIS DRAWING IS TO BE READ IN CONJUNCTION
 WITH HYDRAULIC ENGINEER'S DRAWINGS.

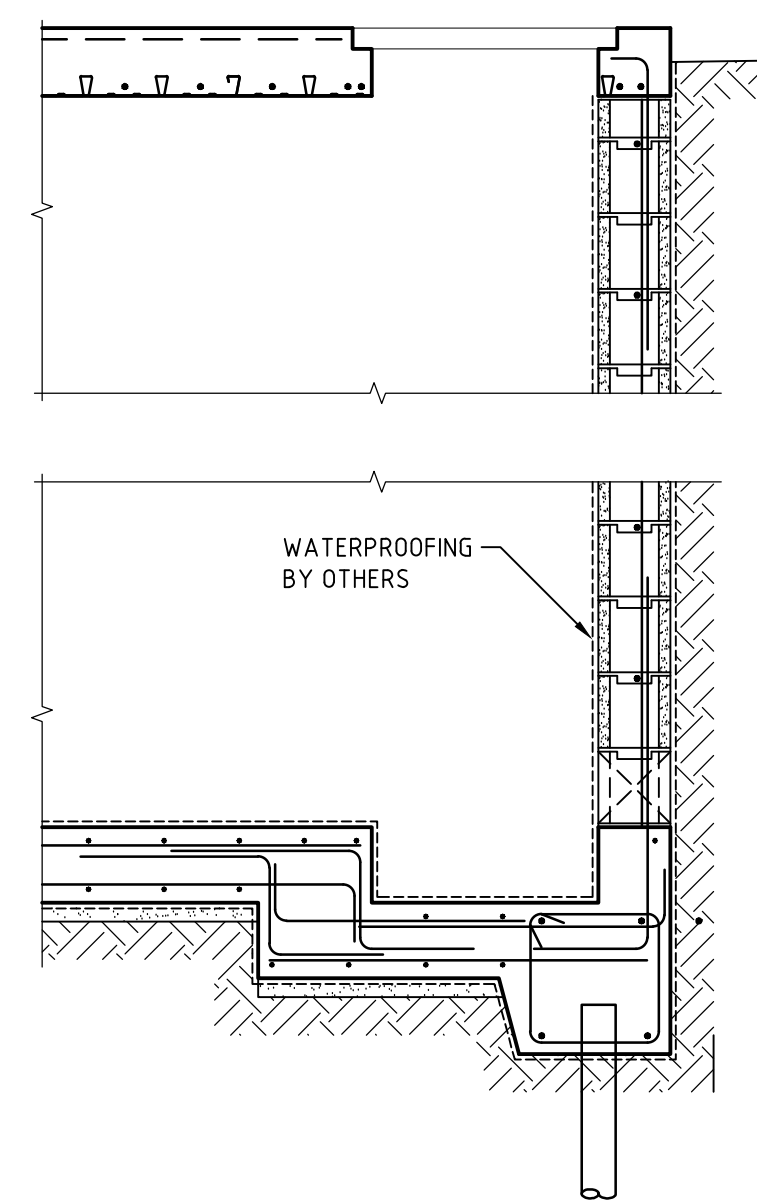


PLAN ON OSD TANK ROOF SLAB

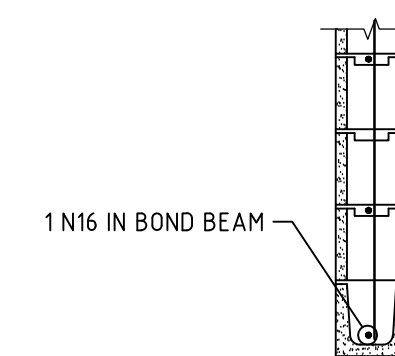
SCALE 1:50



SECTION 1
 SCALE 1:20



SECTION 2
 SCALE 1:20



BLOCK LINTEL DETAILS
 SCALE 1:20

FOR CONSTRUCTION

ISSUE	AMENDMENT	DATE	CHECKED	ISSUE	AMENDMENT	DATE	CHECKED
C	ISSUED FOR CONSTRUCTION	07.08.15	K.M.				
B	ISSUED FOR TENDER	16.04.15	K.M.				
A	ISSUED FOR INFORMATION	01.04.15	K.M.				

NORTH

THIS DRAWING IS COPYRIGHT AND MUST NOT BE RETAINED, COPIED OR USED WITHOUT THE EXPRESS AUTHORITY OF SDA STRUCTURES PTY LTD. ONLY USE FIGURED DIMENSIONS. DO NOT SCALE DRAWINGS. ALL DISCREPANCIES TO BE REFERRED TO ENGINEER PRIOR TO CONSTRUCTION.

ARCHITECT
DILLON AND SAVAGE ARCHITECTS
 40 QUINTON ROAD, MANLY NSW, 2095
 T: (02) 9977 3714
 F: (02) 9977 8215
 E: dsarchs@bigpond.net.au

SDA SDA Structures Pty Ltd
 Consulting Engineers
 STUDIO 2
 61 VICTORIA ROAD
 ROZELLE NSW 2039
 T: (02) 9810 6911
 F: (02) 9810 6922
 E: sda@sdastructures.com.au

PROJECT
**PROPOSED CHILDCARE CENTRE
 LEICHAARDT PARK**

TITLE
OSD TANK DETAILS

JOB NUMBER	DRAWING NUMBER	REVISION
14210	S1.02	C
DATE 01.04.15	SCALE @ A1 AS NOTED	CERTIFIED <i>Karin Wang</i>
DESIGNED K.M.	DRAWN J.W.	