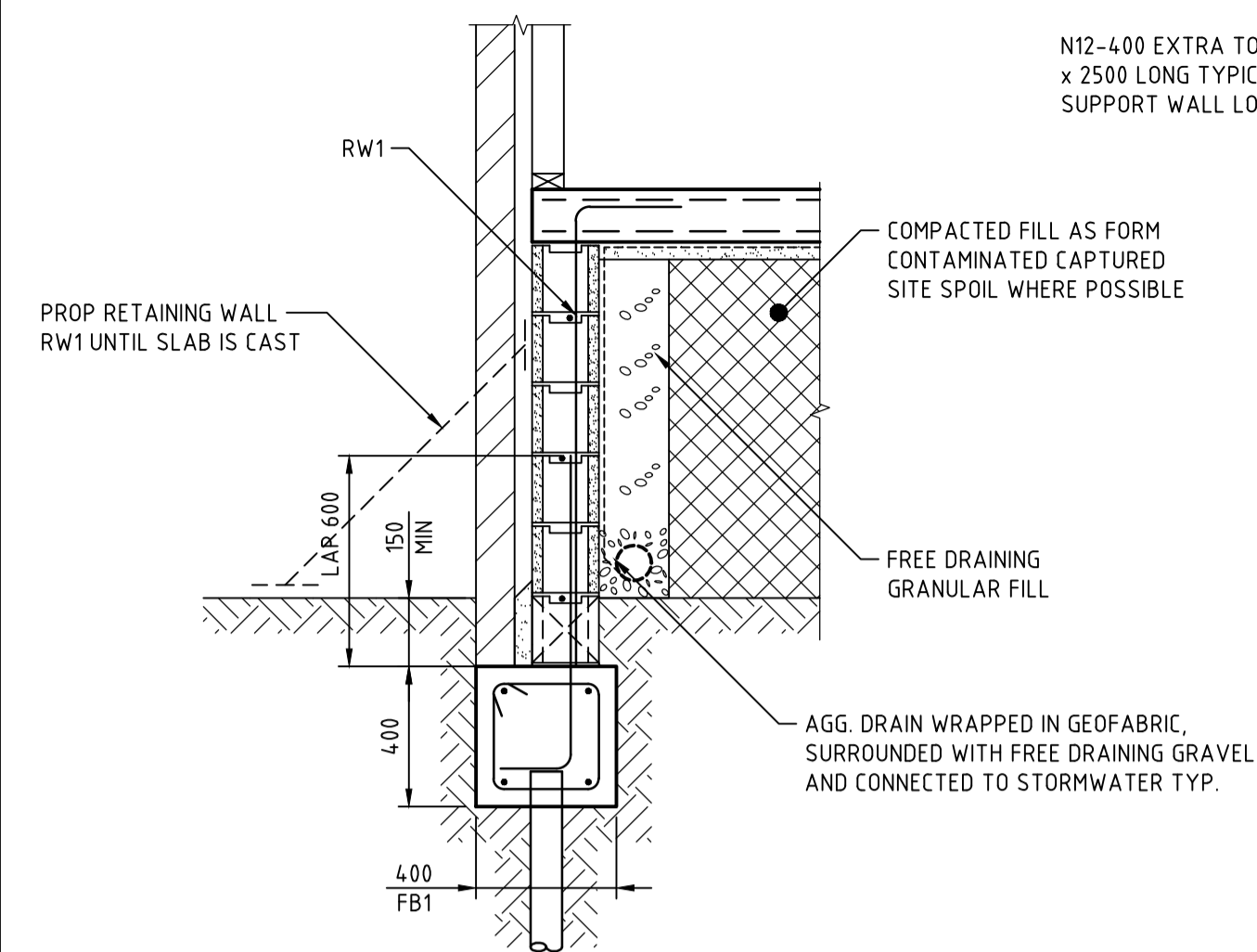
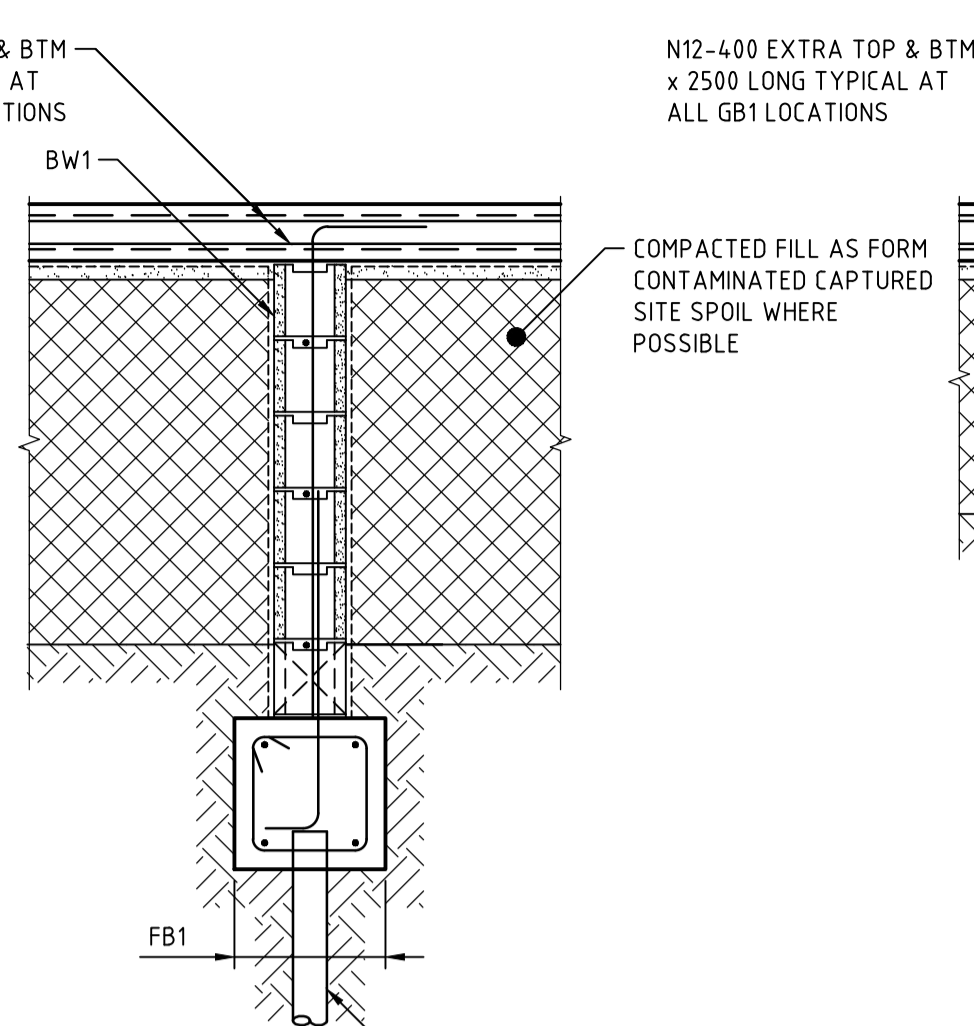


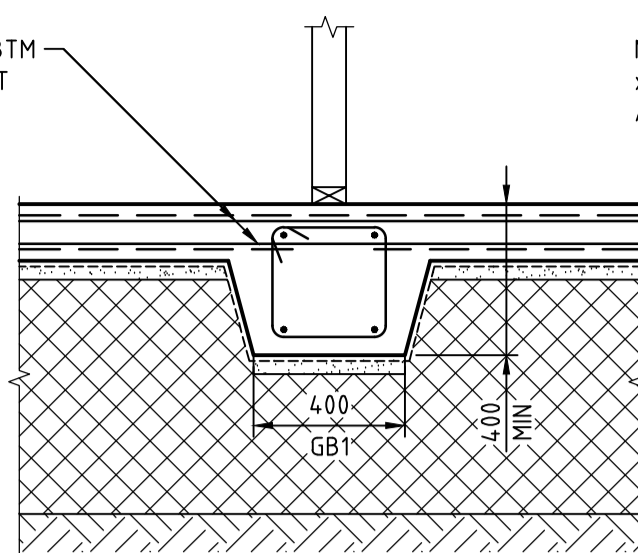
FOR GENERAL NOTES REFER DRAWING S0.01
 DWG's. TO BE READ IN CONJUNCTION WITH ARCHITECTURALS.
 ALL CONC. PROFILES ie: STEPS, FALLS, ETC. TO ARCH. DETAIL



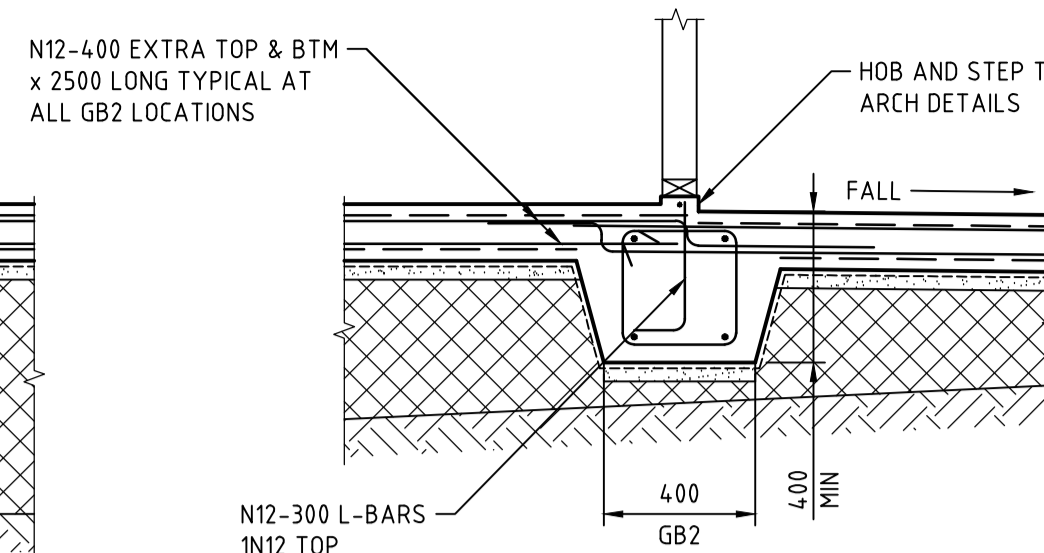
SECTION 1
 SCALE 1:20



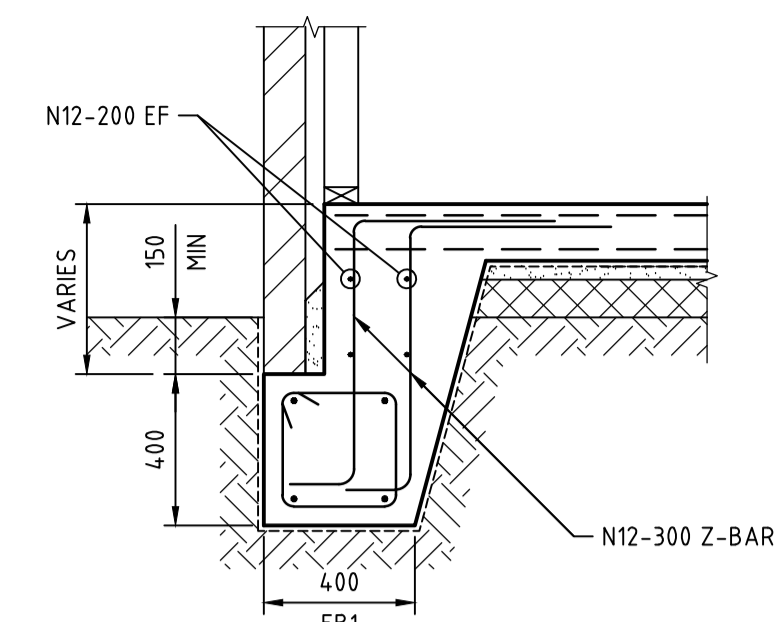
SECTION 2
 SCALE 1:20



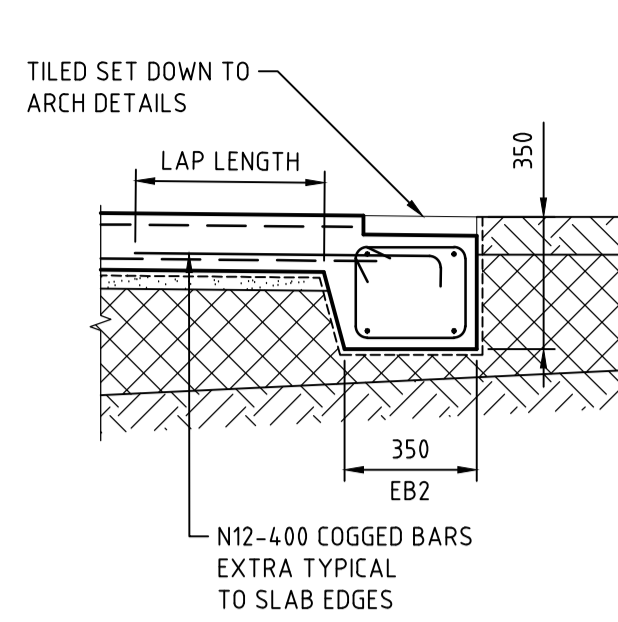
SECTION 3
 SCALE 1:20



SECTION 4
 SCALE 1:20

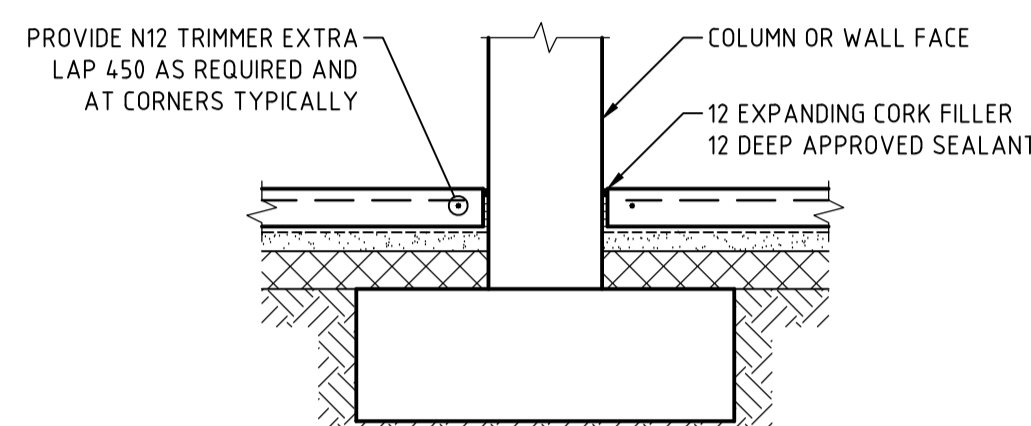


SECTION 5
 SCALE 1:20

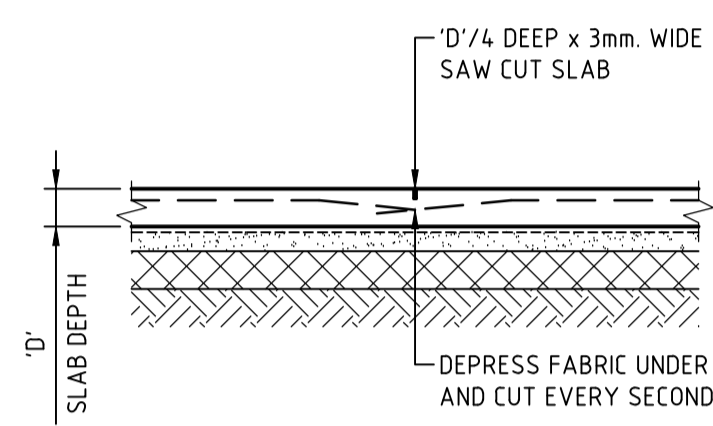


SECTION 6
 SCALE 1:20

SHOWING TYPICAL SECTION AT NORTH WALL



I.J. - ISOLATION JOINT
 SCALE 1:20

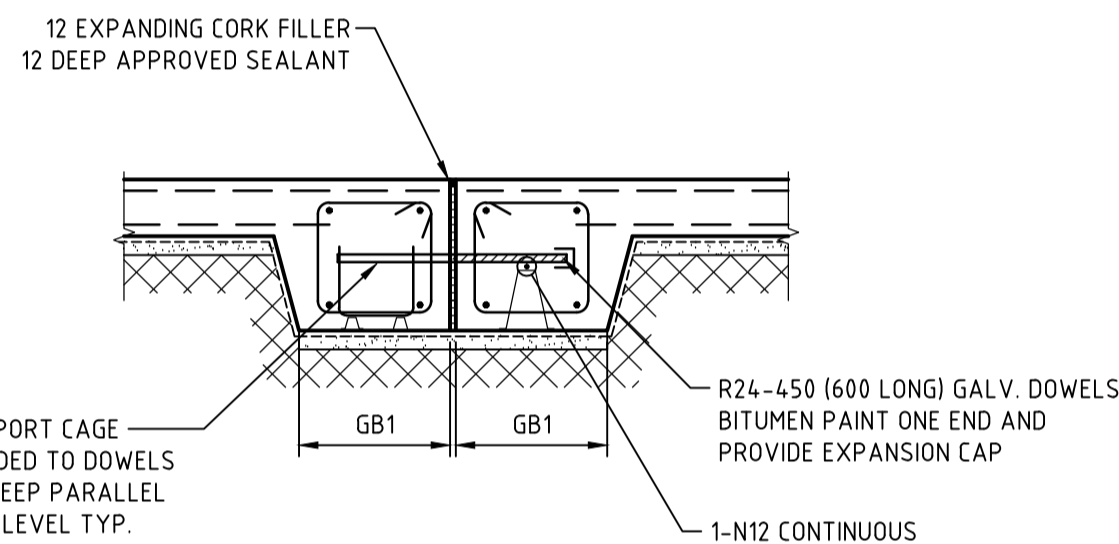


S.J. - SAWN CONTROL JOINT
 SCALE 1:20

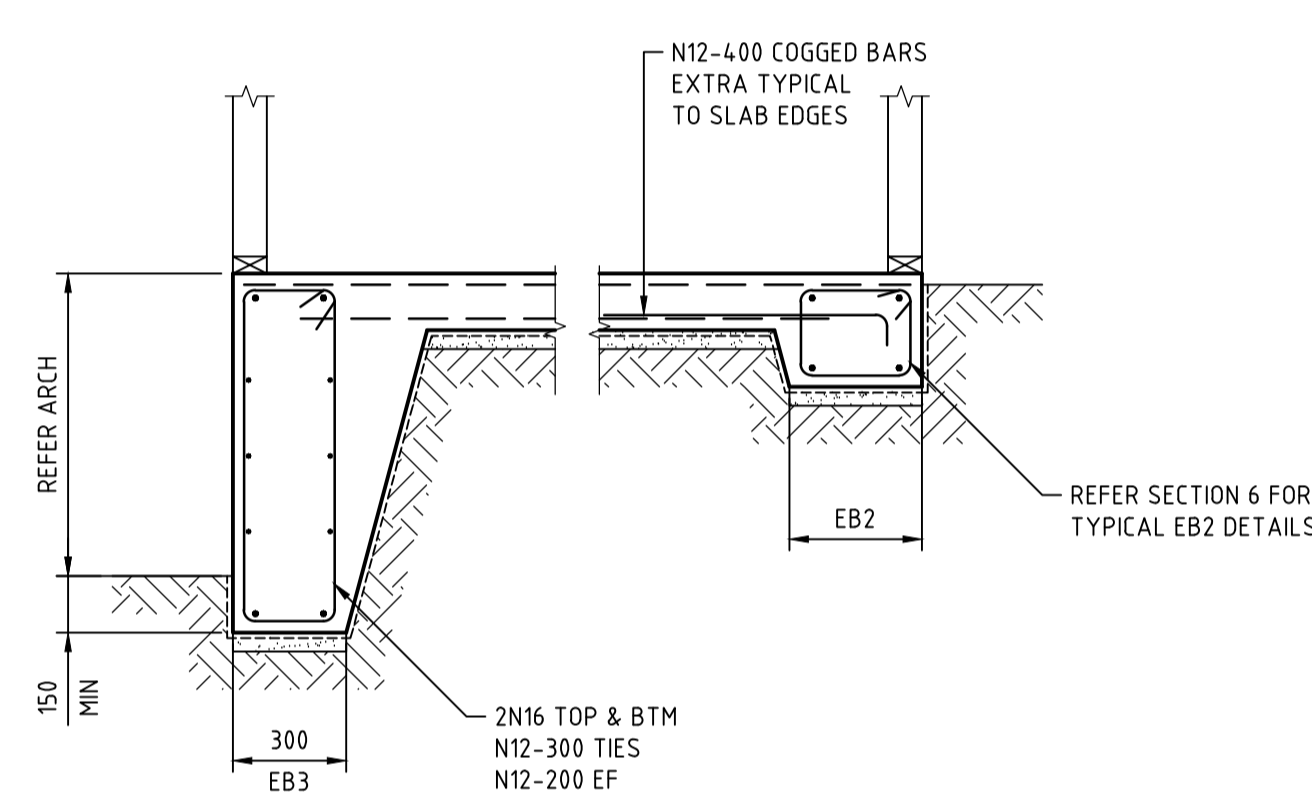
NOTE: SAW CUT TO BE MADE WITHIN 16 HOURS OF CASTING SLAB.

TYPICAL INTERNAL STEP IN SLAB DETAIL

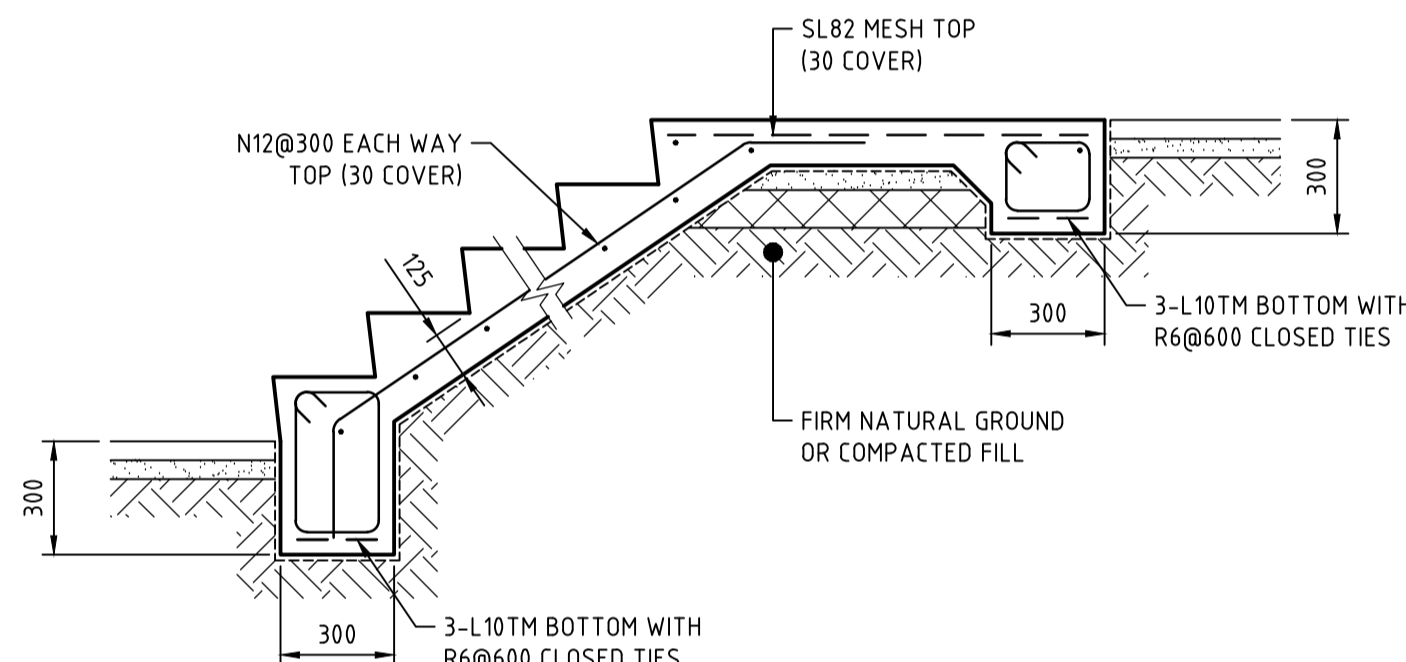
SCALE 1:20



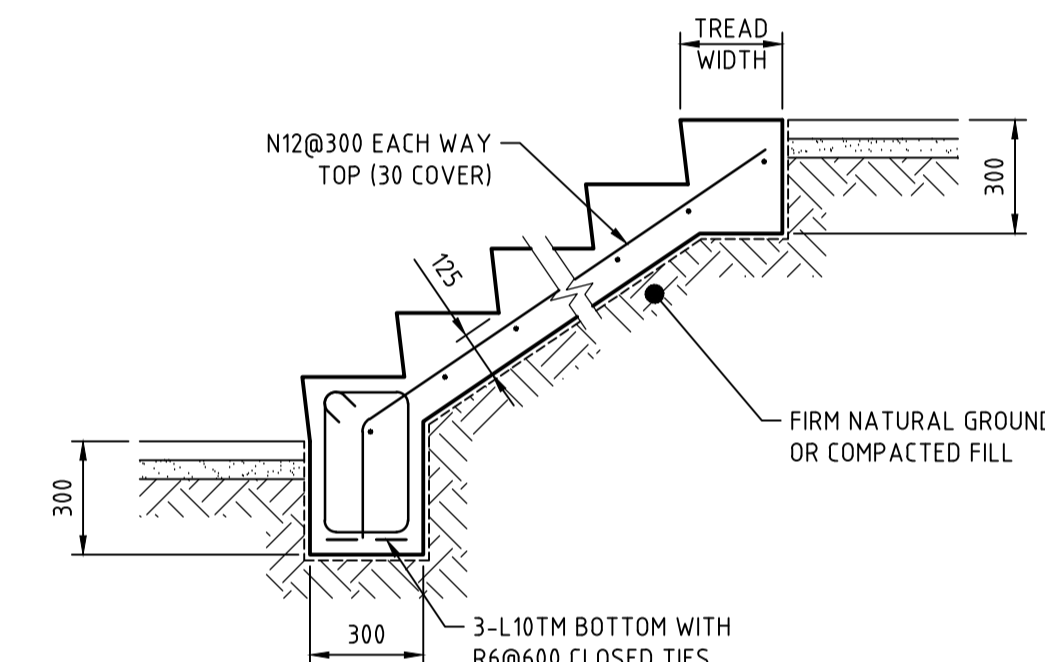
TYPICAL E.J. EXPANSION JOINT DETAIL



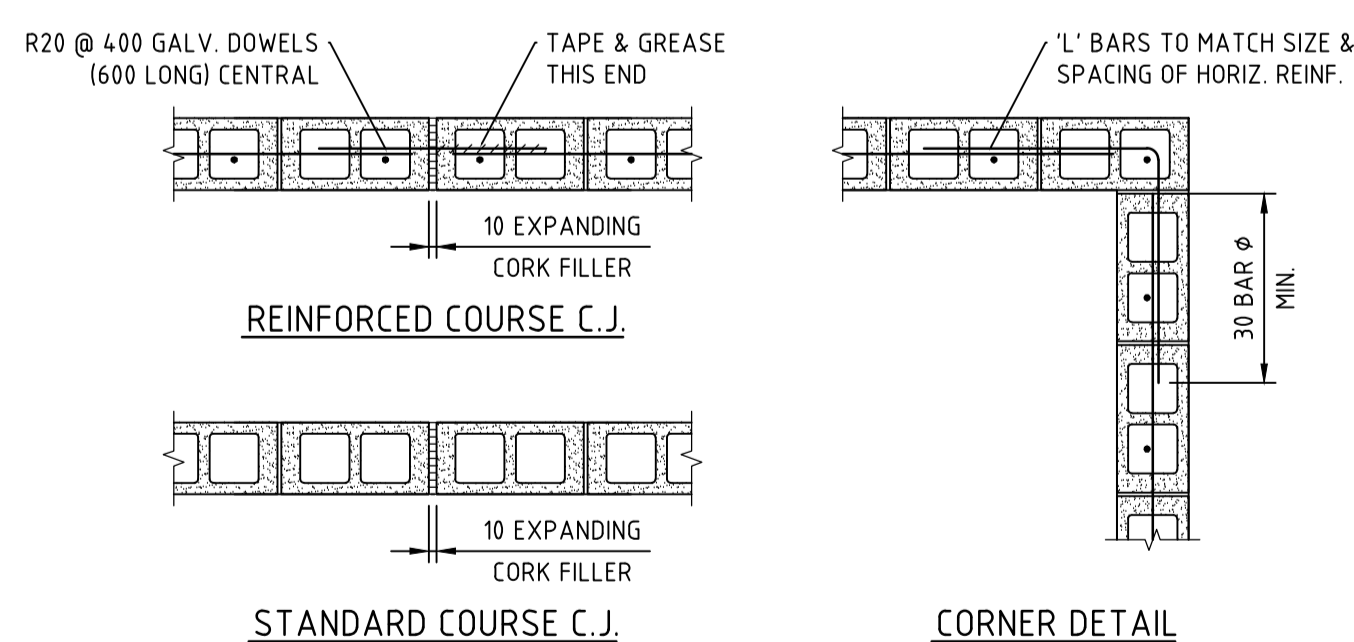
SECTION 7
 SCALE 1:20



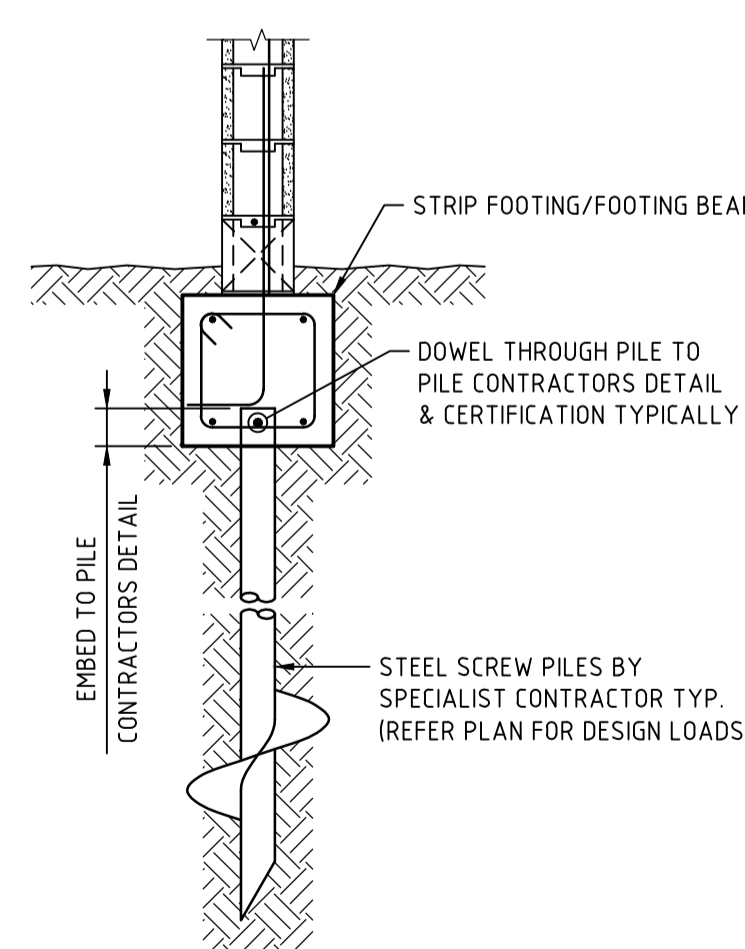
TYPICAL STAIR ON GROUND DETAIL
 SCALE 1:20
 (STAIR WITH LANDING)



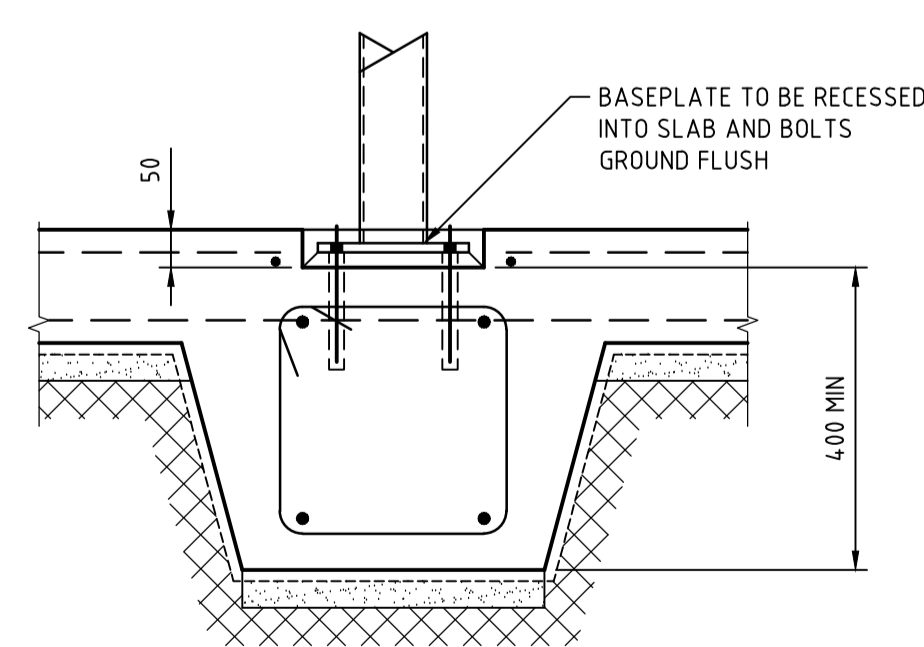
TYPICAL STAIR ON GROUND DETAIL
 SCALE 1:20
 (STAIR ONLY)



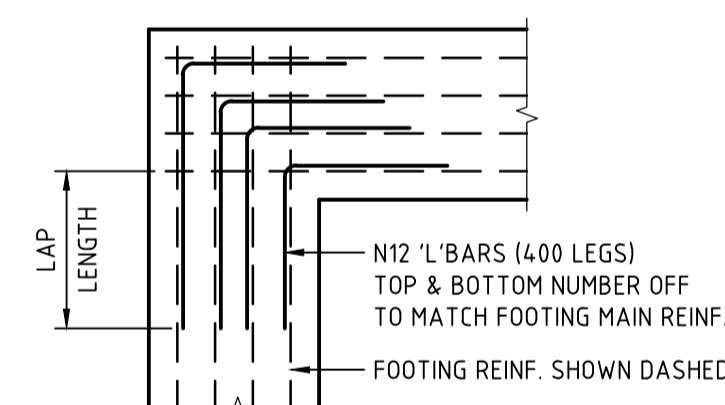
TYPICAL BLOCKWORK DETAILS
 SCALE 1:20



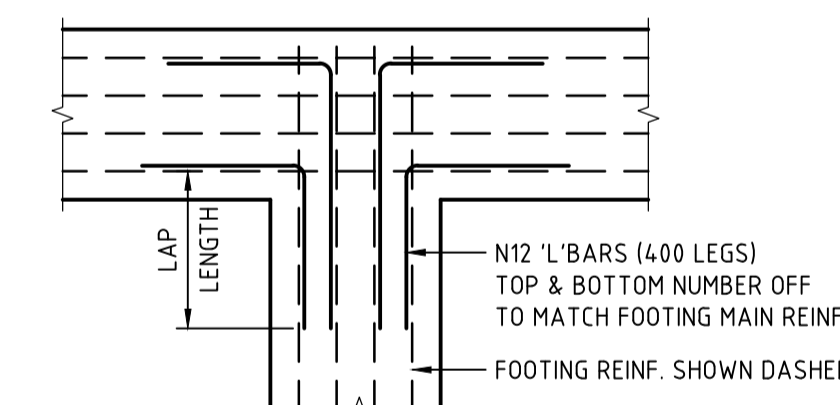
TYPICAL SCREW PILE DETAIL
 SCALE 1:20



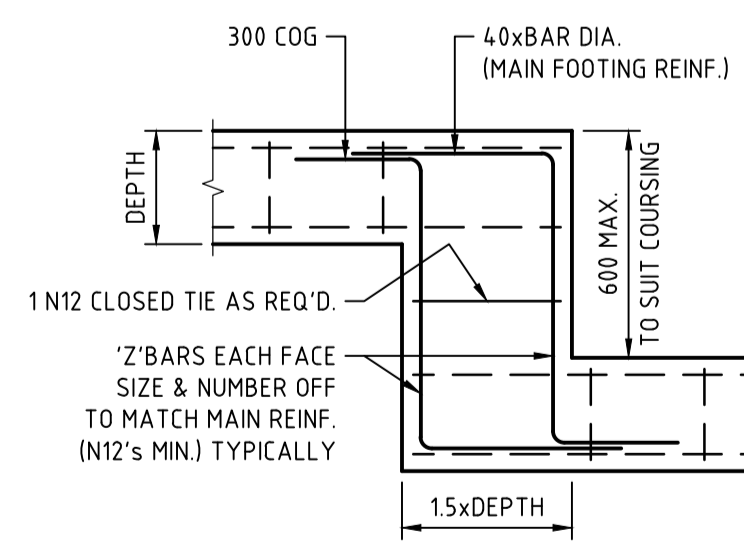
TYPICAL RECESS TO INTERNAL STEEL COLUMN DETAIL
 SCALE 1:10



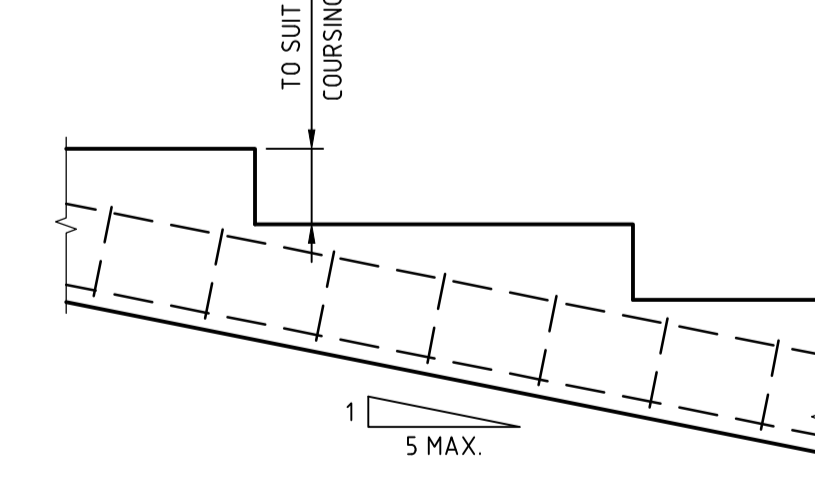
FOOTING / SLAB BEAM CORNER DETAIL
 SCALE 1:20



FOOTING / SLAB BEAM INTERSECTION DETAIL
 SCALE 1:20



FOOTING / SLAB BEAM STEP DETAIL
 SCALE 1:20



ALT. STEP DETAIL FOR GENTLE SLOPE
 SCALE 1:20

FOR CONSTRUCTION

ISSUE	AMENDMENT	DATE	CHECKED	ISSUE	AMENDMENT	DATE	CHECKED
C	ISSUED FOR CONSTRUCTION	07.08.15	K.M.				
B	RE-ISSUED FOR TENDER	16.04.15	K.M.				
A	ISSUED FOR TENDER	18.02.15	K.M.				
P1	ISSUED FOR 75% TENDER	19.12.14	K.M.				

NORTH

THIS DRAWING IS COPYRIGHT AND MUST NOT BE RETAINED, COPIED OR USED WITHOUT THE EXPRESS AUTHORITY OF SDA STRUCTURES PTY LTD. ONLY USE FIGURED DIMENSIONS. DO NOT SCALE DRAWINGS. ALL DISCREPANCIES TO BE REFERRED TO ENGINEER PRIOR TO CONSTRUCTION.

ARCHITECT
DILLON AND SAVAGE ARCHITECTS
 40 QUINTON ROAD, MANLY NSW, 2095
 T: (02) 9977 3714
 F: (02) 9977 8215
 E: dsarchs@bigpond.net.au

SDA SDA Structures Pty Ltd
 Consulting Engineers
 STUDIO 2
 61 VICTORIA ROAD
 ROZELLE NSW 2039
 T: (02) 9810 6911
 F: (02) 9810 6922
 E: sda@sdastructures.com.au

PROJECT
**PROPOSED CHILDCARE CENTRE
 LEICHHARDT PARK**

TITLE
**FOOTING AND GROUND FLOOR
 DETAILS**

JOB NUMBER	DRAWING NUMBER	REVISION
14-210	S2.02	C
DATE 19/12/14	SCALE @ A1 AS NOTED	CERTIFIED <i>Karin Wang</i>
DESIGNED K.M.	DRAWN J.W.	