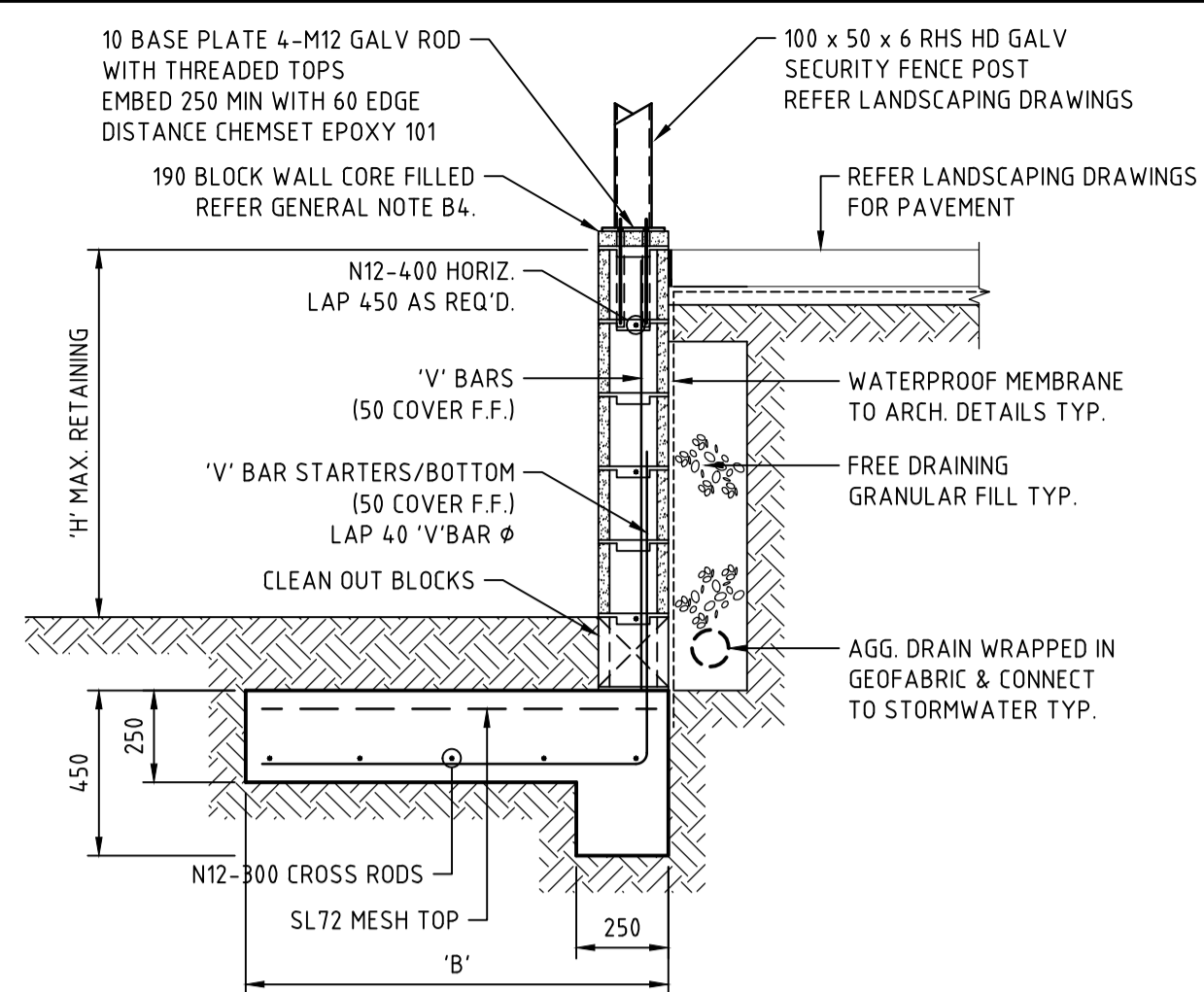


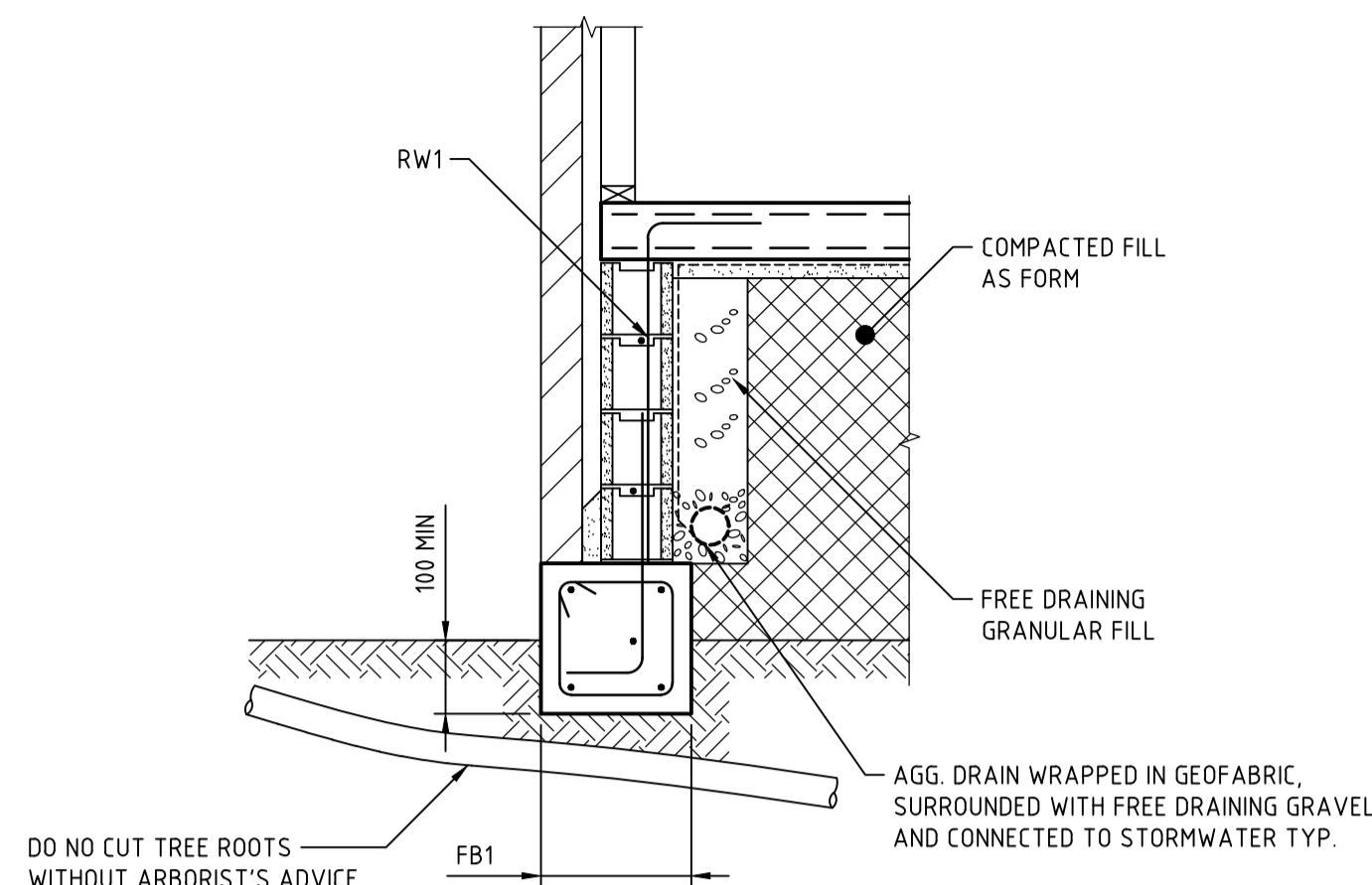
FOR GENERAL NOTES REFER DRAWING S0.01  
 DWG's. TO BE READ IN CONJUNCTION WITH ARCHITECTURALS.  
 ALL CONC. PROFILES i.e. STEPS, FALLS, ETC. TO ARCH. DETAIL



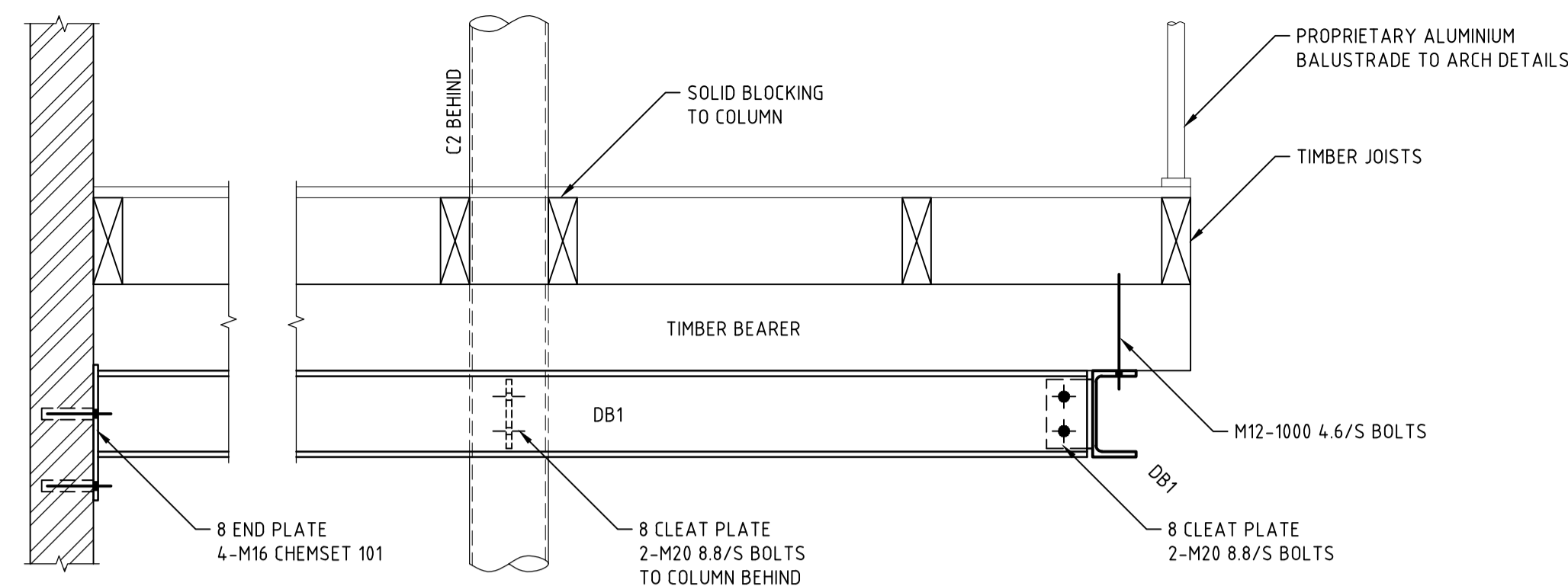
'H' MAX. RETAINING	'B' BREADTH	'V' BARS
1000	850	N12 @ 400
1400	1200	N16 @ 400
1800	1500	N16 @ 400

RETAINING WALL - RW2 (H<1800)

SECTION 9  
 SCALE 1:20  
 S101

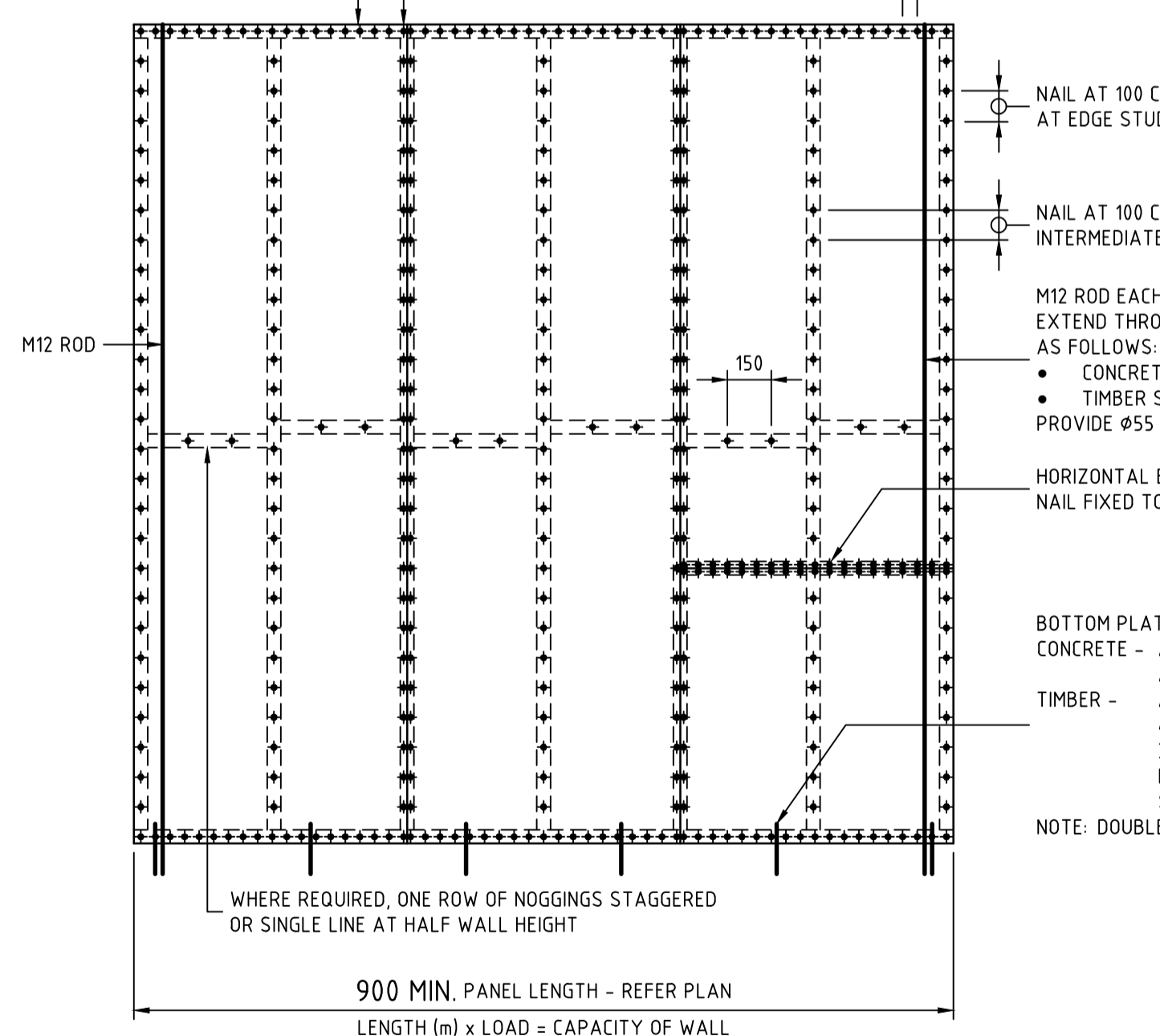


SECTION 10  
 SCALE 1:20  
 S101



SECTION 11  
 SCALE 1:10  
 S2.01

FOR TYP. FIXING OF TOP OF BRACING WALLS REFER TO AS1684.2-1999 (TABLE 8.22)  
 PLYWOOD FIXED TO FRAME USING 30 x 2.8Φ GALVANIZED FLATHEAD NAILS OR EQUIVALENT. ENSURE ALL NAILS ARE 7mm. FROM ALL PLYWOOD EDGES



WALL HEIGHT	7.0mm SHEET
2700	8.70 kN/m
3000	7.80 kN/m
3600	6.50 kN/m
3900	6.00 kN/m
4200	5.50 kN/m

NOTE: LOAD x WALL LENGTH (m) EQUALS CAPACITY OF WALL

BOTTOM PLATE FIXED TO FLOOR AS FOLLOWS:  
 CONCRETE - AT EACH END & AT 600 CENTRES 1 M10 CHEMICAL ANCHORS  
 TIMBER - AT EACH END & AT 600 CENTRES EITHER 4 No.14 (Φ6.3) BUGLE SCREWS AT 65 CENTRES & 30 CROSS CENTRES. EMBED 85 INTO JOISTS OR M12 BOLT & OVERSIZED WASHER THROUGH TIMBER STRUCTURE UNDER  
 NOTE: DOUBLE FLOOR FIXING IF WALL IS BRACED BOTH SIDES

STRESS GRADE	STUD SPACING (mm)
F11	450 600
	7.0 7.0

ENSURE PLYWOOD COMPLIES WITH AS2269

PBW - PLY BRACED WALL

NOTE: NO NOGGING REQUIRED EXCEPT AT HORIZONTAL BUTT JOINTS

FOR CONSTRUCTION

ISSUE	AMENDMENT	DATE	CHECKED	ISSUE	AMENDMENT	DATE	CHECKED
C	ISSUED FOR CONSTRUCTION	07.08.15	K.M.				
B	RE-ISSUED FOR TENDER	16.04.15	K.M.				
A	ISSUED FOR TENDER	18.02.15	K.M.				

NORTH

THIS DRAWING IS COPYRIGHT AND MUST NOT BE RETAINED, COPIED OR USED WITHOUT THE EXPRESS AUTHORITY OF SDA STRUCTURES PTY LTD. ONLY USE FIGURED DIMENSIONS. DO NOT SCALE DRAWINGS. ALL DISCREPANCIES TO BE REFERRED TO ENGINEER PRIOR TO CONSTRUCTION.

ARCHITECT  
 DILLON AND SAVAGE ARCHITECTS  
 40 QUINTON ROAD, MANLY NSW, 2095  
 T: (02) 9977 3714  
 F: (02) 9977 8215  
 E: dsarchs@bigpond.net.au

SDA SDA Structures Pty Ltd Consulting Engineers  
 STUDIO 2 61 VICTORIA ROAD ROZELLE NSW 2039  
 T: (02) 9810 6911  
 F: (02) 9810 6922  
 E: sda@sdastructures.com.au

PROJECT  
 PROPOSED CHILDCARE CENTRE LEICHHARDT PARK

TITLE  
 TYPICAL RETAINING WALL DETAILS

JOB NUMBER	DRAWING NUMBER	REVISION
14210	S2.03	C
DATE 18/02/15	SCALE @ A1 AS NOTED	CERTIFIED <i>Karin Wang</i>
DESIGNED K.M.	DRAWN J.W.	