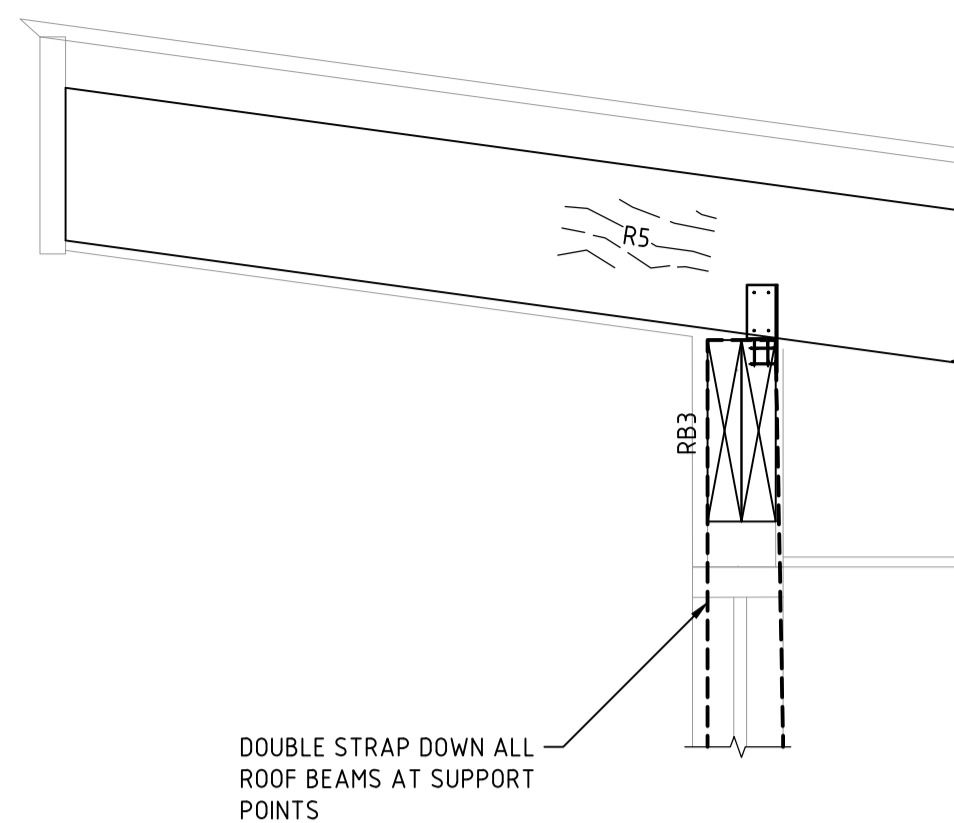
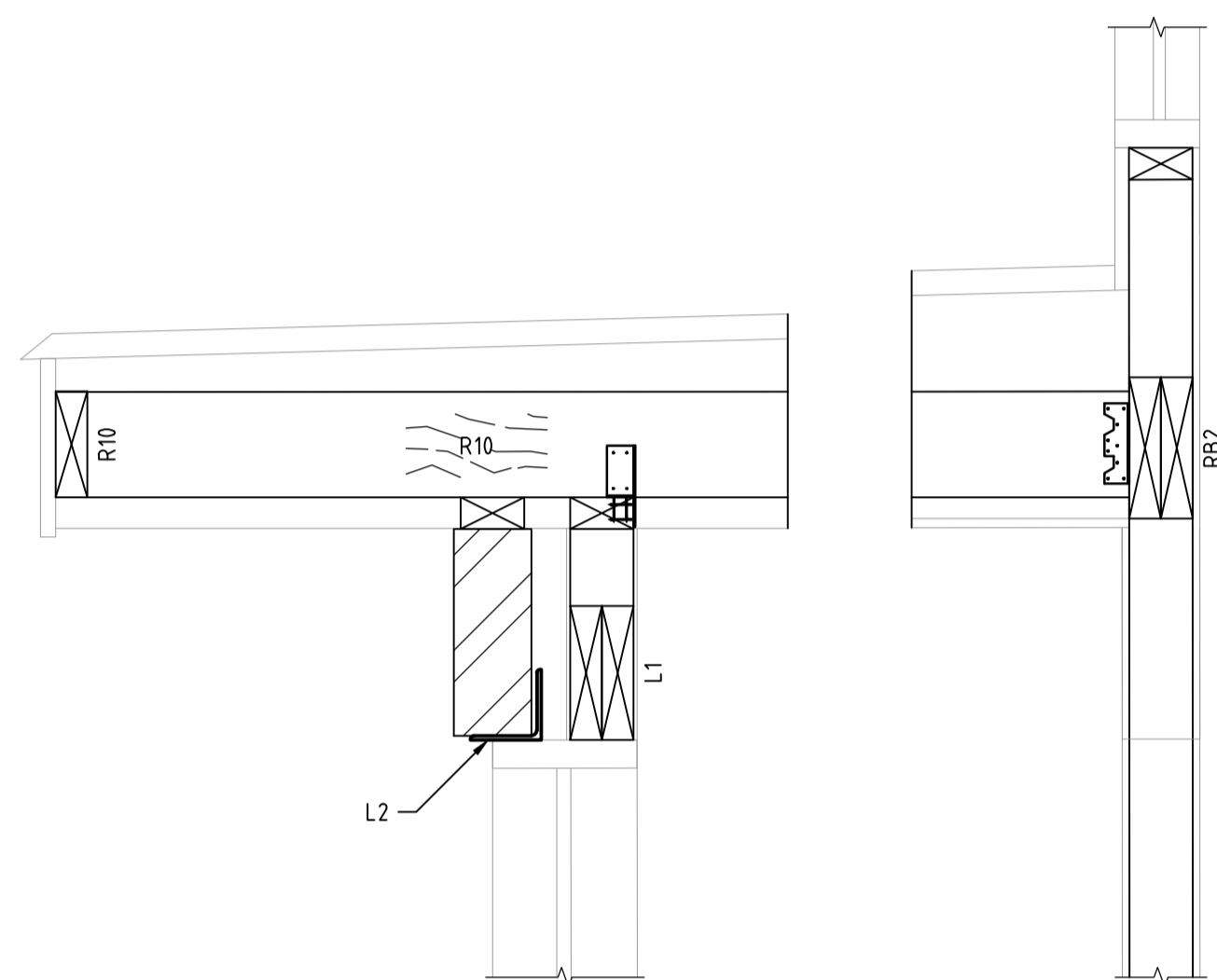


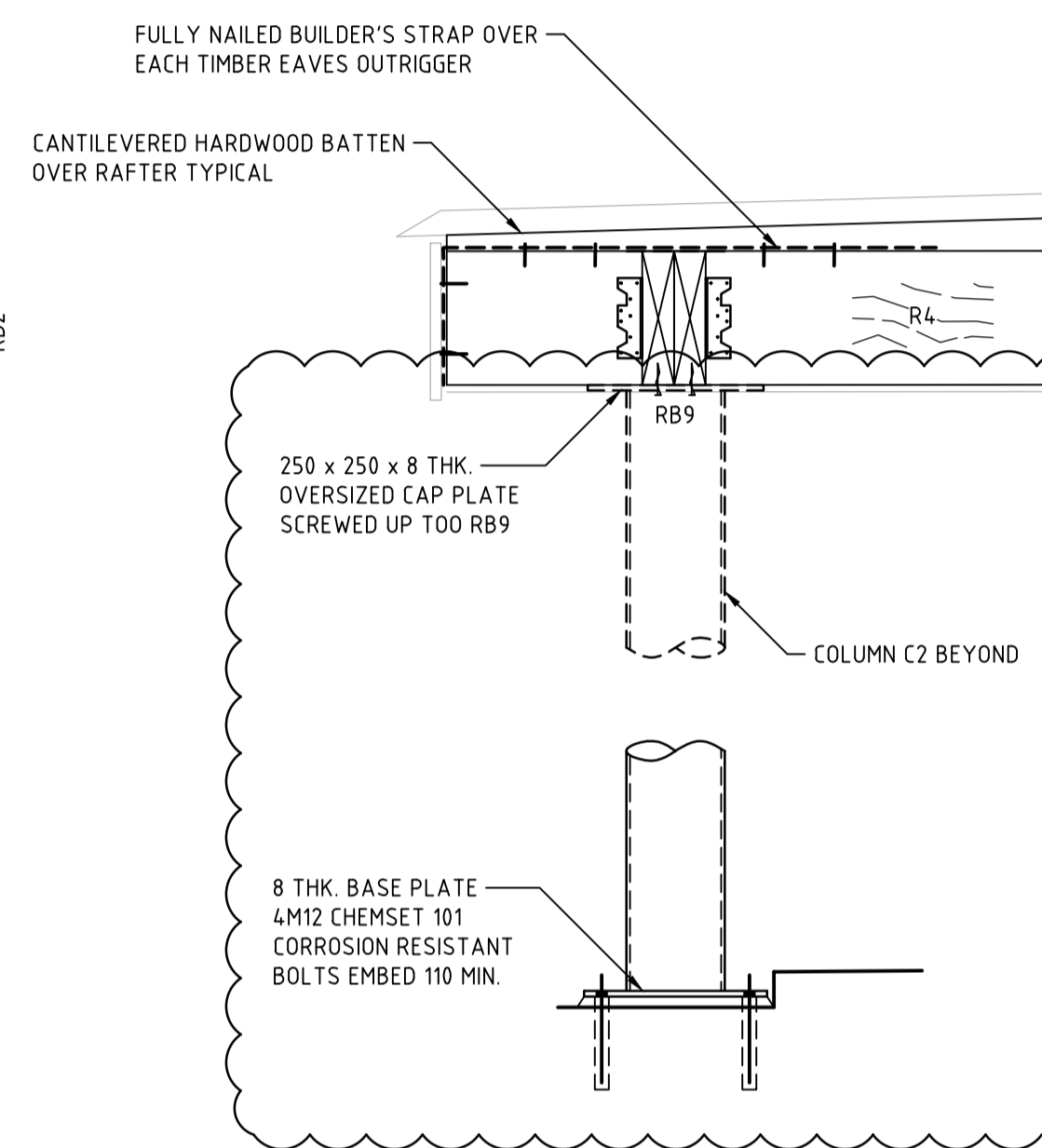
SECTION 1
 SCALE 1:10



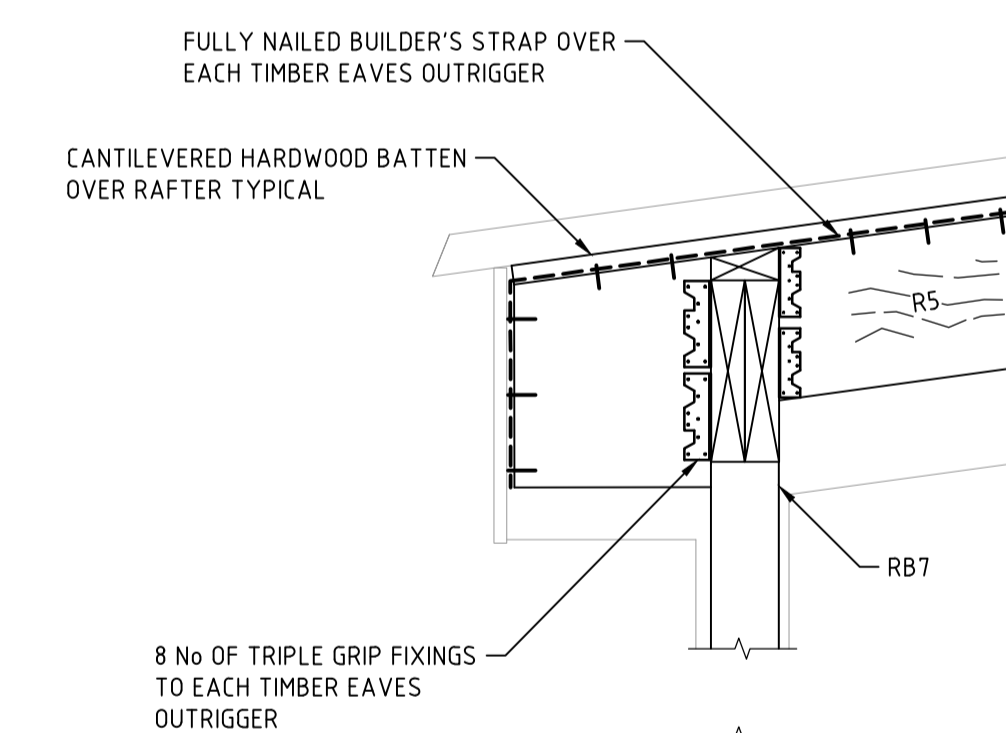
DOUBLE STRAP DOWN ALL
 ROOF BEAMS AT SUPPORT
 POINTS



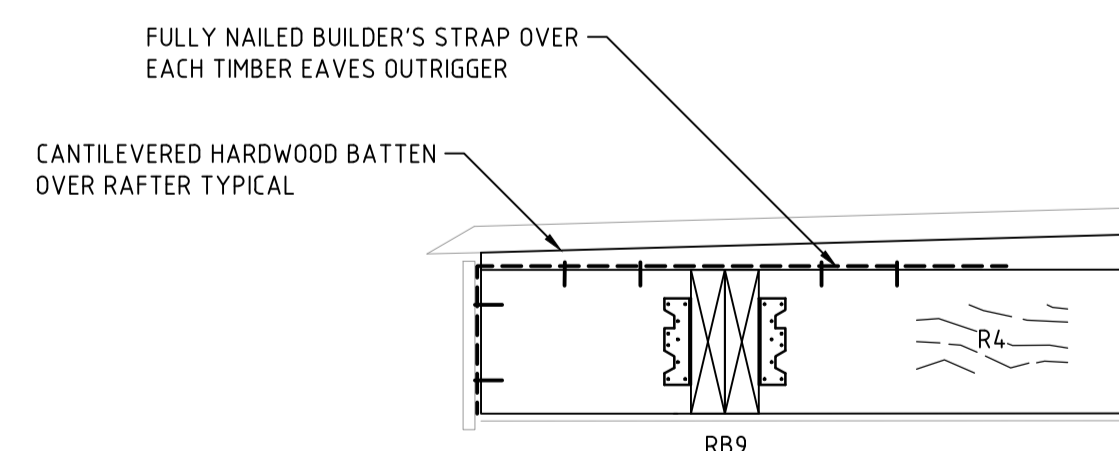
SECTION 2
 SCALE 1:10



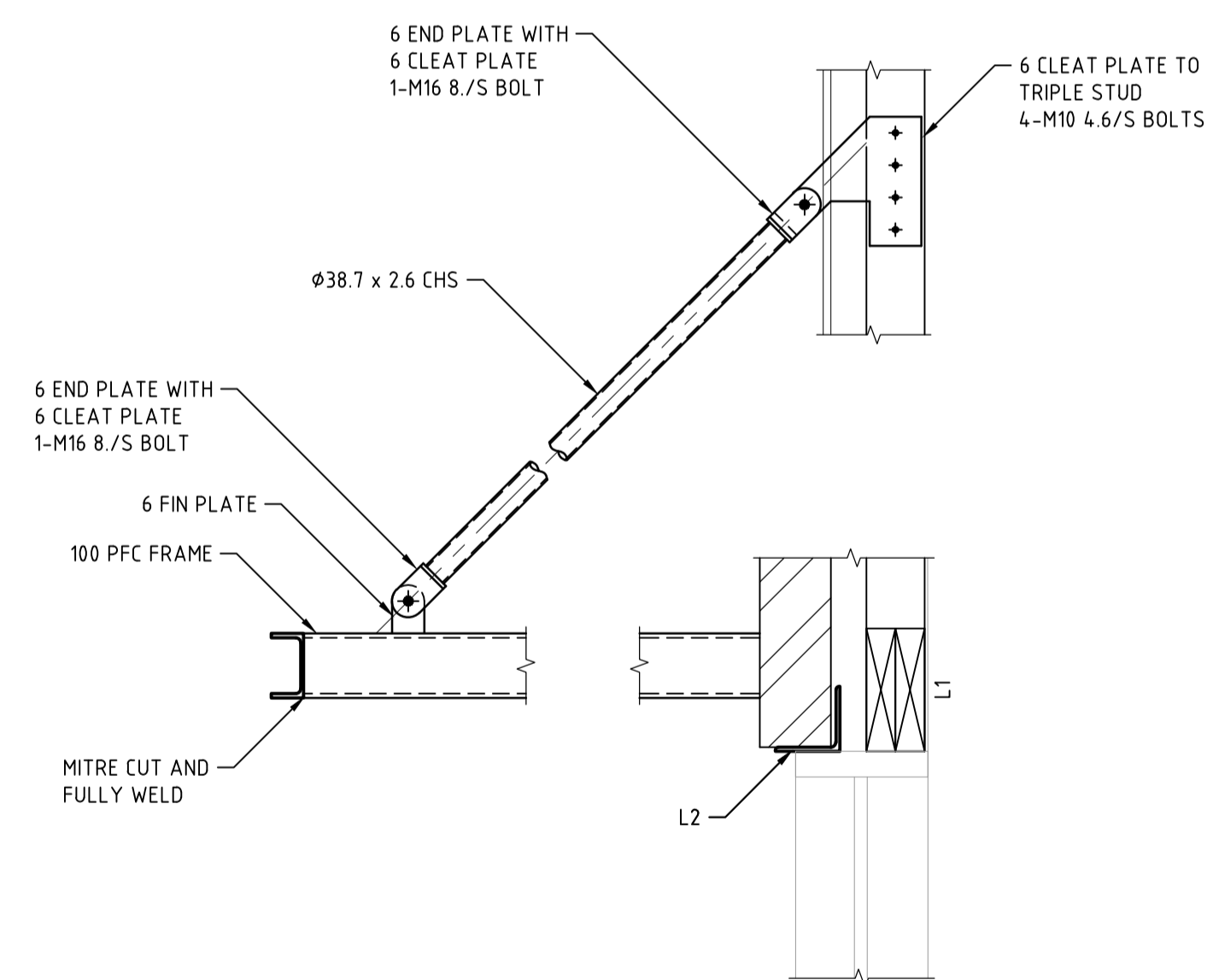
SECTION 3
 SCALE 1:10



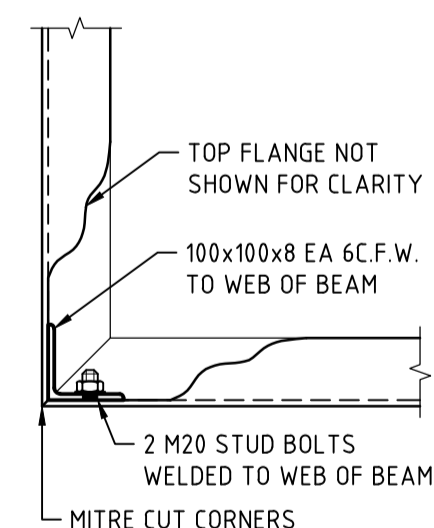
SECTION 5
 SCALE 1:10



PROVIDE SOLID BLOCKING
 AT RAFTER LOCATIONS



SECTION 4
 SCALE 1:10



TYPICAL MITRED CORNER FOR PCF

FOR CONSTRUCTION

ISSUE	AMENDMENT	DATE	CHECKED	ISSUE	AMENDMENT	DATE	CHECKED
D	REVISED FOR CONSTRUCTION	22.04.16	K.M.				
C	ISSUED FOR CONSTRUCTION	07.08.15	K.M.				
B	RE-ISSUED FOR TENDER	16.04.15	K.M.				
A	ISSUED FOR TENDER	18.02.15	K.M.				
P1	ISSUED FOR 75% TENDER	19.12.14	K.M.				

NORTH

THIS DRAWING IS COPYRIGHT AND MUST NOT BE RETAINED, COPIED OR USED WITHOUT THE EXPRESS AUTHORITY OF SDA STRUCTURES PTY LTD. ONLY USE FIGURED DIMENSIONS. DO NOT SCALE DRAWINGS. ALL DISCREPANCIES TO BE REFERRED TO ENGINEER PRIOR TO CONSTRUCTION.

ARCHITECT
 DILLON AND SAVAGE ARCHITECTS
 40 QUINTON ROAD, MANLY NSW, 2095
 T: (02) 9977 3714
 F: (02) 9977 8215
 E: dsarchs@bigpond.net.au

STUDIO 2
 61 VICTORIA ROAD
 ROZELLE NSW 2039
SDA SDA Structures Pty Ltd
 Consulting Engineers
 T: (02) 9810 6911
 F: (02) 9810 6922
 E: sda@sdastructures.com.au

PROJECT
 PROPOSED CHILDCARE CENTRE
 LEICHHARDT PARK

TITLE
 ROOF DETAILS
 SHEET 1

JOB NUMBER	DRAWING NUMBER	REVISION
14210	S3.03	D
DATE 19/12/14	SCALE @ A1 1:10	CERTIFIED <i>Karen Wang</i>
DESIGNED K.M.	DRAWN J.W.	