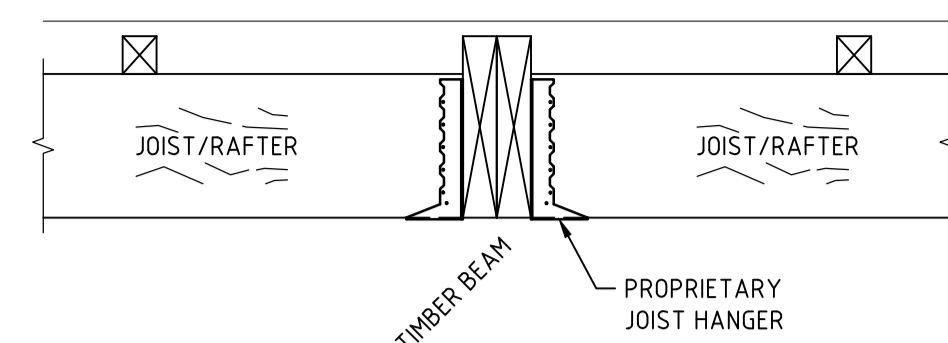
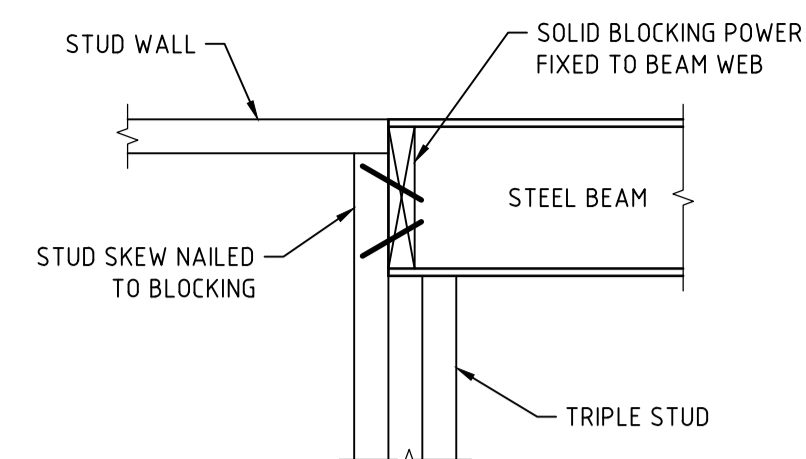


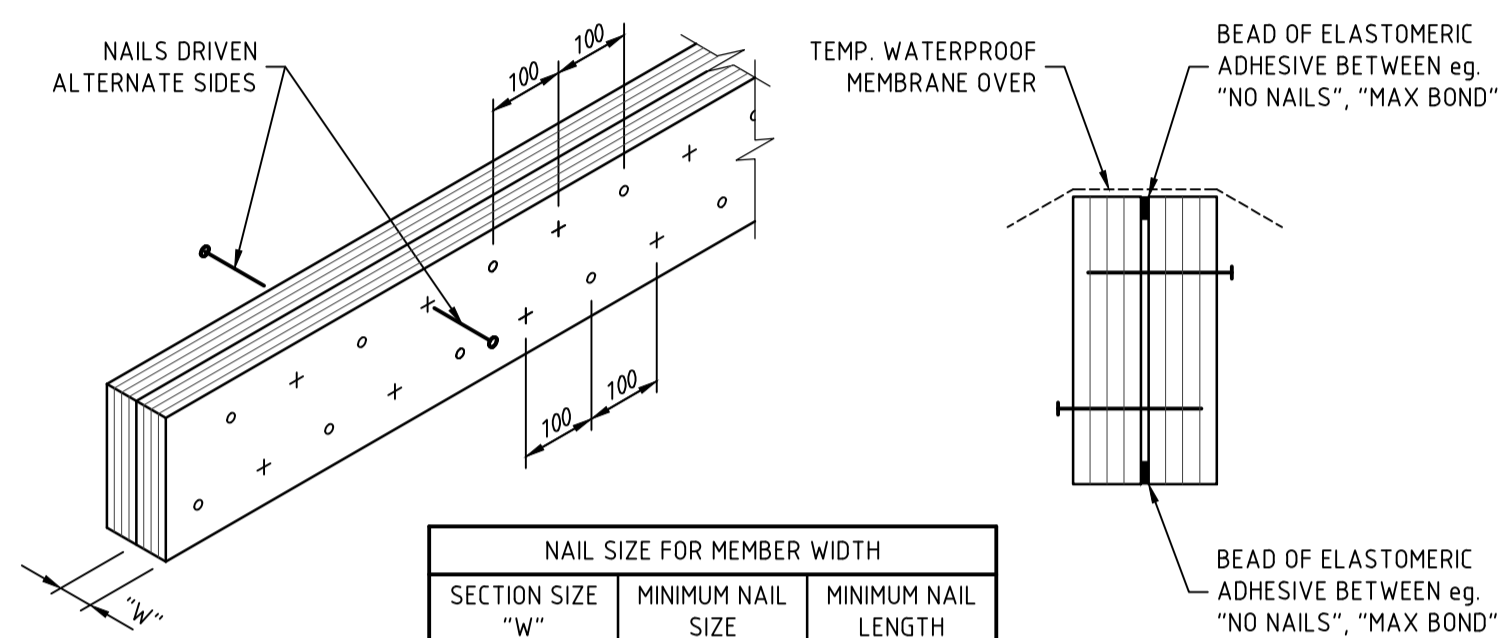
ALT. PERPENDICULAR JOIST TO STEEL BEAM
 SCALE 1:10



PERPENDICULAR JOIST/RAFTER TO TIMBER BEAM
 SCALE 1:10

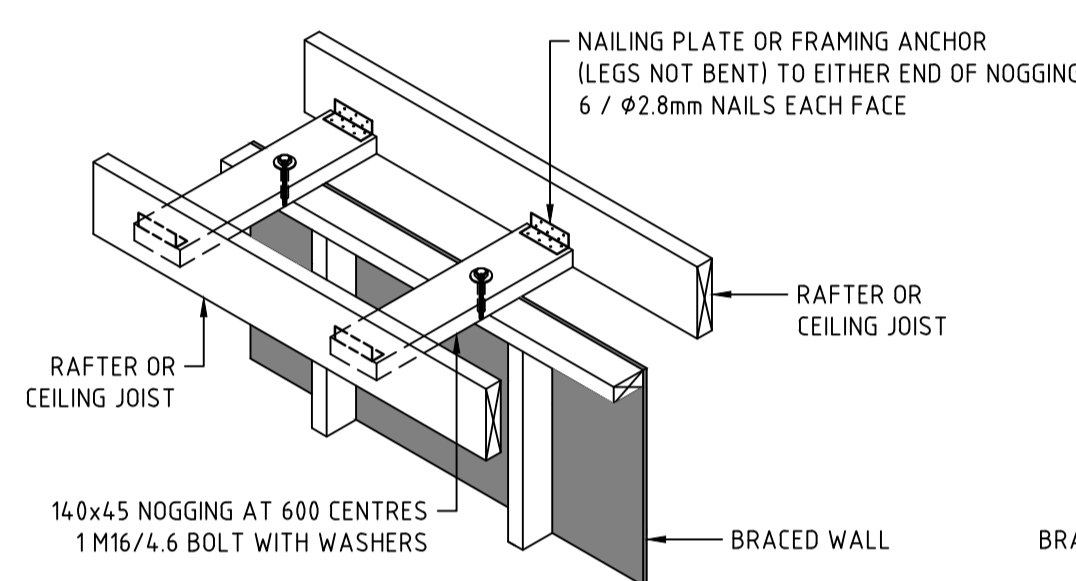


TRIPLE STUD TO STEEL BEAM DETAIL
 SCALE 1:10

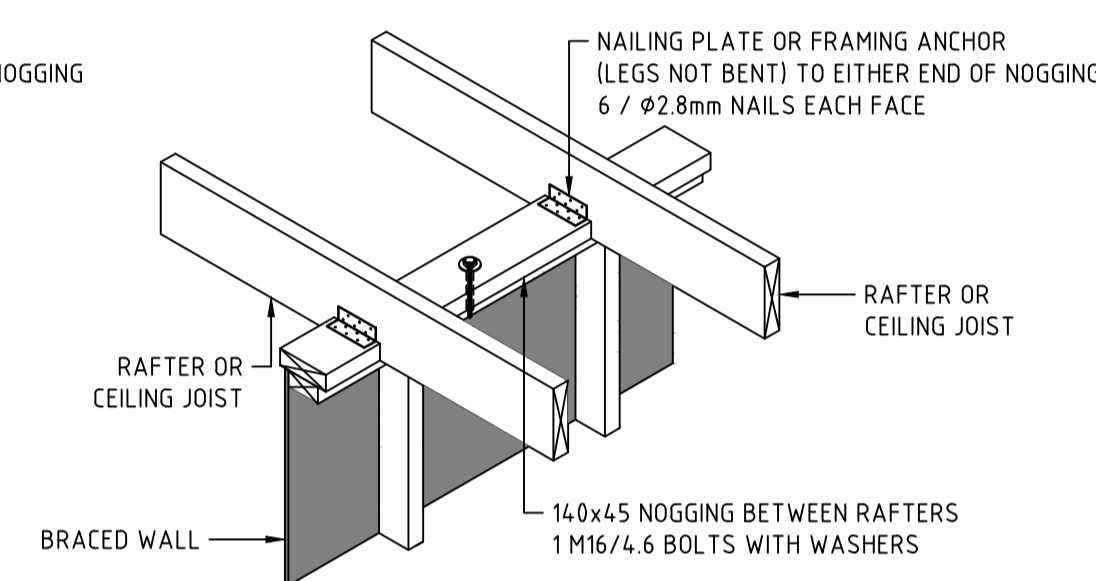


NAIL SIZE FOR MEMBER WIDTH		
SECTION SIZE "W"	MINIMUM NAIL SIZE	MINIMUM NAIL LENGTH
36	Ø3.06 mm	75 mm
45	Ø3.30 mm	90 mm
63	Ø3.30 mm	100 mm

VERTICAL LAMINATION DETAIL
 FOR HYSPAN LVL MEMBERS



TYPICAL RAFTER TO PARALLEL BRACING WALL CONNECTION
 SCALE 1:20



TYPICAL RAFTER TO PERPENDICULAR BRACING WALL CONNECTION
 SCALE 1:20

FOR CONSTRUCTION

ISSUE	AMENDMENT	DATE	CHECKED	ISSUE	AMENDMENT	DATE	CHECKED
C	ISSUED FOR CONSTRUCTION	07.08.15	K.M.				
B	RE-ISSUED FOR TENDER	16.04.15	K.M.				
A	ISSUED FOR TENDER	18.02.15	K.M.				

NORTH

THIS DRAWING IS COPYRIGHT AND MUST NOT BE RETAINED, COPIED OR USED WITHOUT THE EXPRESS AUTHORITY OF SDA STRUCTURES PTY LTD. ONLY USE FIGURED DIMENSIONS. DO NOT SCALE DRAWINGS. ALL DISCREPANCIES TO BE REFERRED TO ENGINEER PRIOR TO CONSTRUCTION.

ARCHITECT
DILLON AND SAVAGE ARCHITECTS
 40 QUINTON ROAD., MANLY NSW, 2095
 T: (02) 9977 3714
 F: (02) 9977 8215
 E: dsarchs@bigpond.net.au

SDA SDA Structures Pty Ltd
 Consulting Engineers
 STUDIO 2
 61 VICTORIA ROAD
 ROZELLE NSW 2039
 T: (02) 9810 6911
 F: (02) 9810 6922
 E: sda@sdastructures.com.au

PROJECT
**PROPOSED CHILDCARE CENTRE
 LEICHAARDT PARK**

TITLE
**ROOF DETAILS
 SHEET 2**

JOB NUMBER	DRAWING NUMBER	REVISION
14210	S3.04	C
DATE 18/02/15	SCALE @ A1 1:10	CERTIFIED <i>Karin Wang</i>
DESIGNED K.M.	DRAWN J.W.	