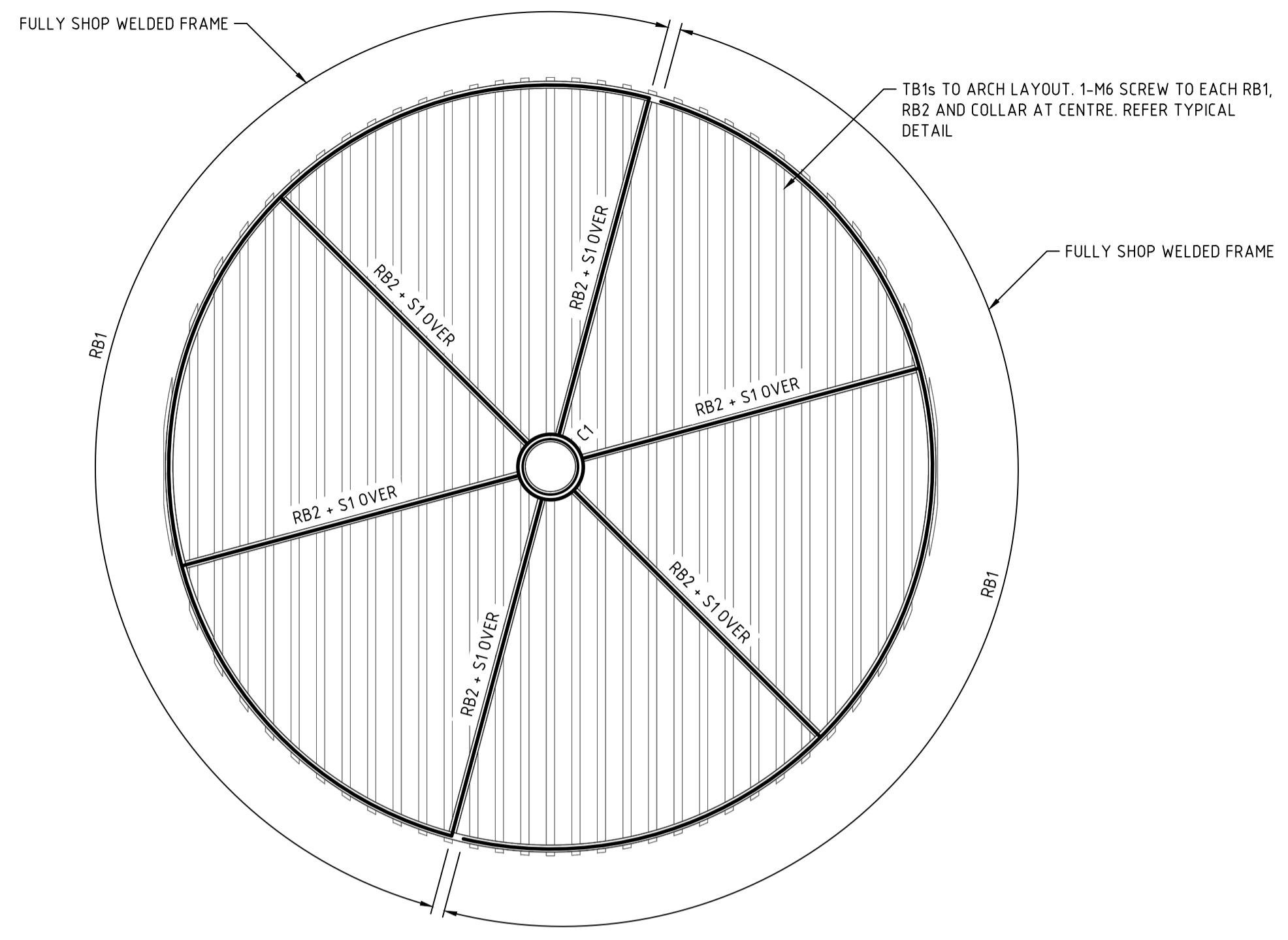


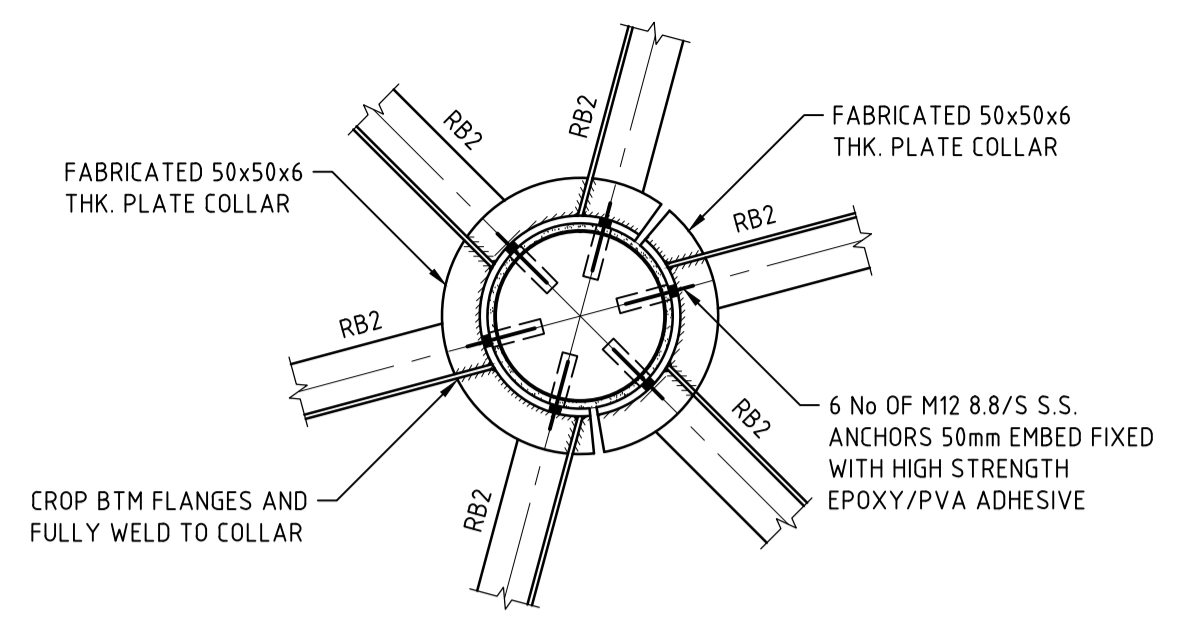
FOR GENERAL NOTES REFER DRAWING S0.01
 DWG'S. TO BE READ IN CONJUNCTION WITH LANDSCAPE DRAWING L-017.
 ALL CONC. PROFILES ie: STEPS, FALLS, ETC. TO ARCH. DETAIL

MEMBER SCHEDULE	
MARK	MEMBER
C1	Ø225 TIMBER POST F7 SOFTWOOD TREATED TO CLASS H3 FOR IN GROUND USE or F17 HARDWOOD OF DURABILITY CLASS 2 OR BETTER WITH SAPWOOD PRESERVATIVE TREATED TO H3
RB1	75 x 50 x 6 UA STEEL RING BEAM
RB2	75 x 50 x 6 UA STEEL BEAM
S1	Ø10 STAY ROD WITH TURNBUCKLE
TB1	90 x 35 TIMBER BATTENS @ 100 CRS MAX F7 SOFTWOOD TREATED TO CLASS H3 or F17 HARDWOOD OF DURABILITY CLASS 2 OR BETTER WITH SAPWOOD PRESERVATIVE TREATED TO H3

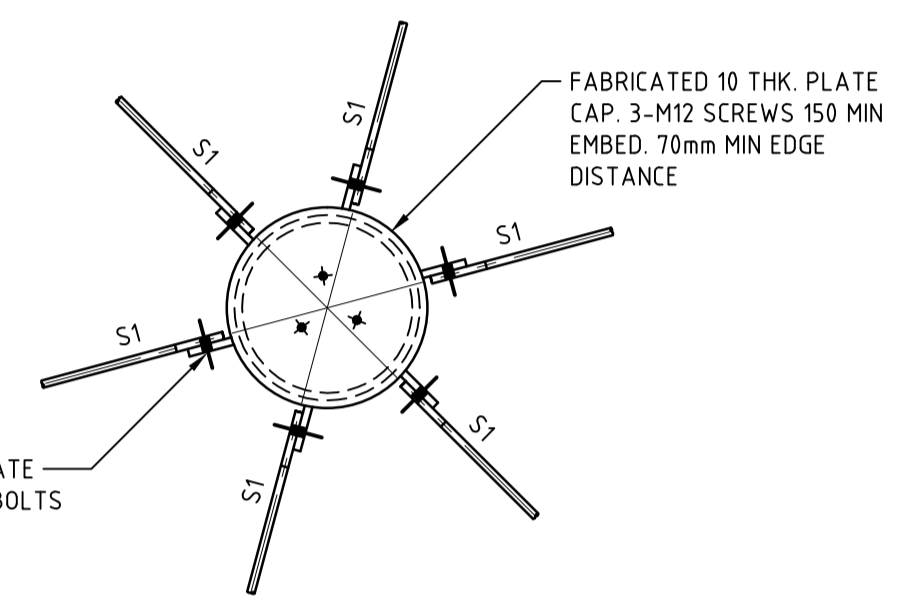
NOTE:
 ALL STEEL TREATMENT AS PER S0.01, FINAL COAT AND COLOUR TO ARCHITECT'S / LANDSCAPE ARCHITECT'S SPECIFICATIONS AND TO MANUFACTURER'S RECOMMENDATIONS.



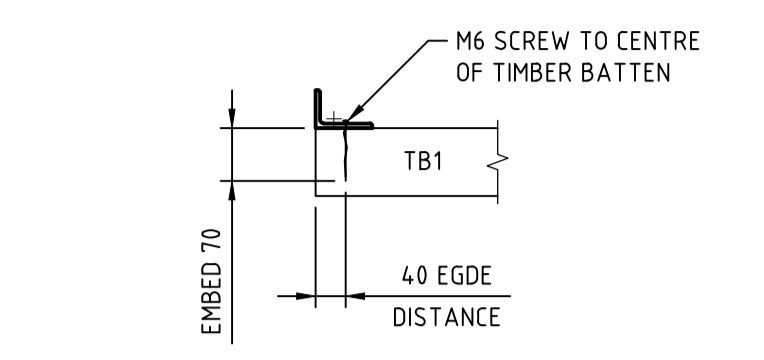
TYPICAL PLAN ON CANOPY
 SCALE 1:20



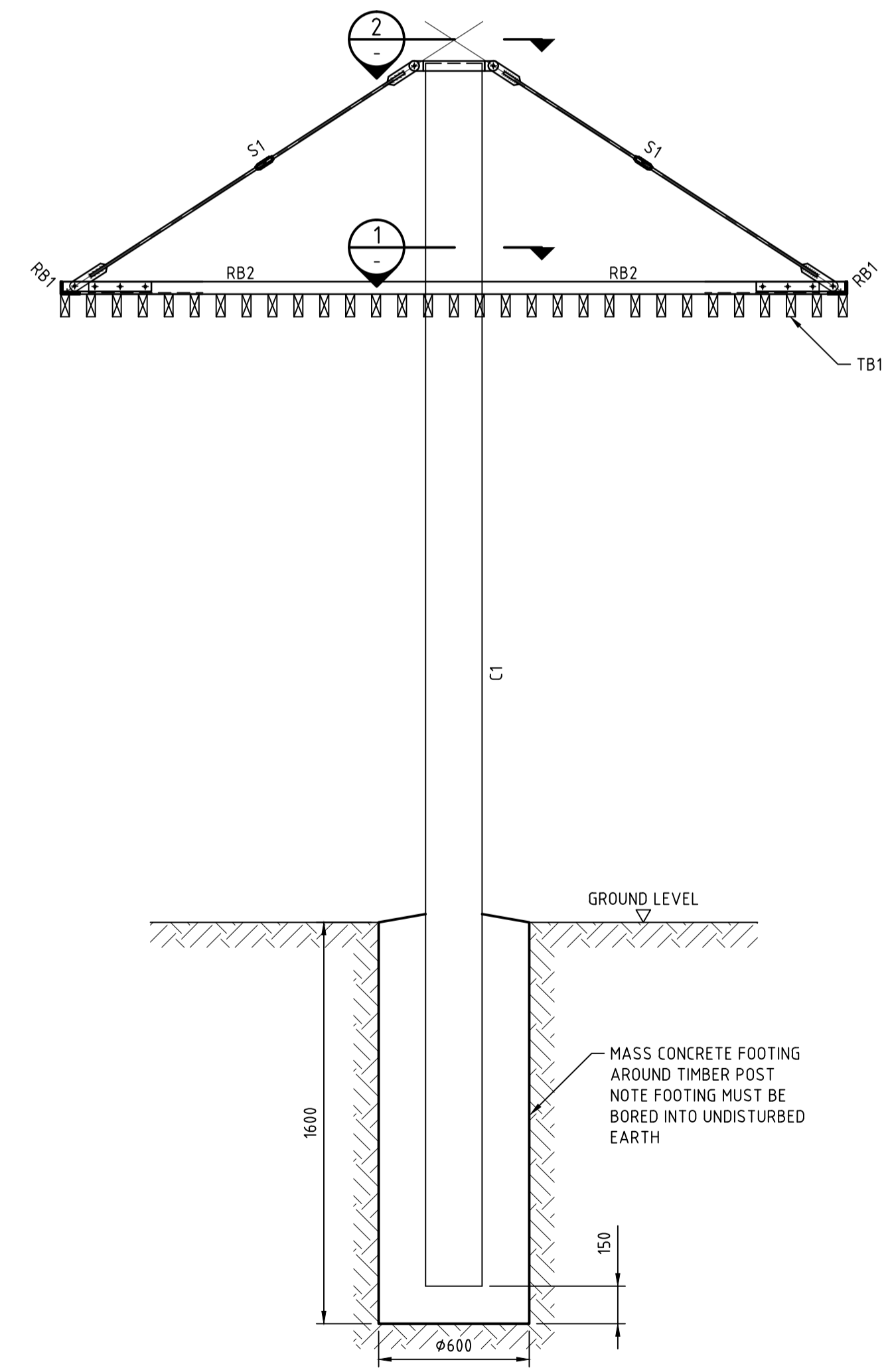
SECTION 1
 SCALE 1:10



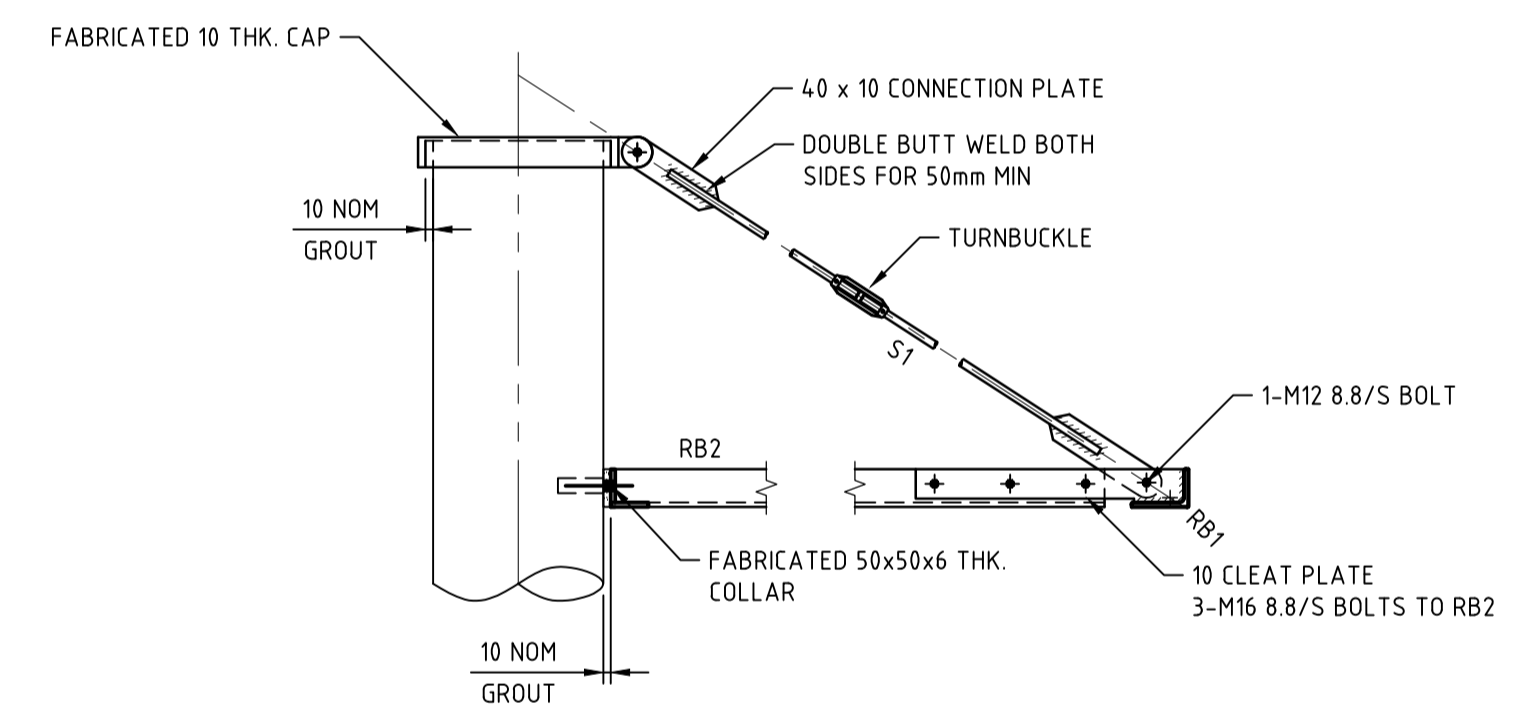
SECTION 2
 SCALE 1:10



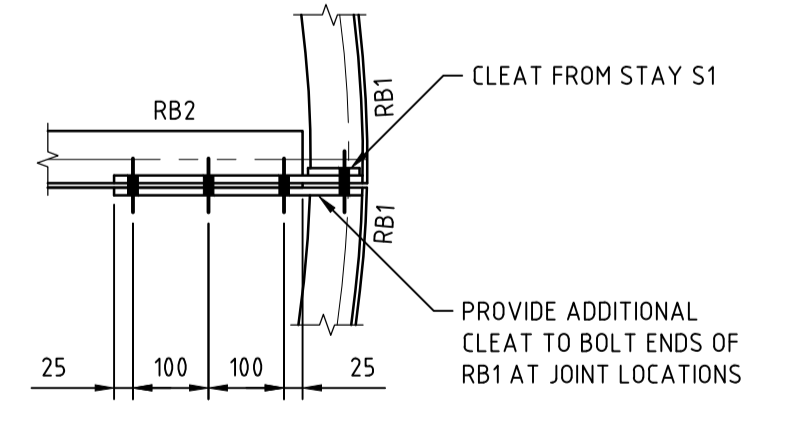
TYPICAL TIMBER FIXING DETAIL
 SCALE 1:10



TYPICAL SECTION THROUGH CANOPY
 SCALE 1:20



TYPICAL SECTION THROUGH CANOPY STRUCTURE
 SCALE 1:10
 TIMBER BATTENS OMITTED FOR CLARITY



TYPICAL RB1 TO RB2 DETAIL
 SCALE 1:10

FOR CONSTRUCTION

ISSUE	AMENDMENT	DATE	CHECKED	ISSUE	AMENDMENT	DATE	CHECKED
C	REISSUED FOR CONSTRUCTION	20.07.15	L.D.B.				
B	REISSUED FOR CONSTRUCTION	17.07.15	L.D.B.				
A	ISSUED FOR CONSTRUCTION	15.07.15	L.D.B.				

NORTH

THIS DRAWING IS COPYRIGHT AND MUST NOT BE RETAINED, COPIED OR USED WITHOUT THE EXPRESS AUTHORITY OF SDA STRUCTURES PTY LTD. ONLY USE FIGURED DIMENSIONS. DO NOT SCALE DRAWINGS. ALL DISCREPANCIES TO BE REFERRED TO ENGINEER PRIOR TO CONSTRUCTION.

ARCHITECT
DILLON AND SAVAGE ARCHITECTS
 40 QUINTON ROAD, MANLY NSW, 2095
 T: (02) 9977 3714
 F: (02) 9977 8215
 E: dsarchs@bigpond.net.au

SDA SDA Structures Pty Ltd
 Consulting Engineers
 STUDIO 2
 61 VICTORIA ROAD
 ROZELLE NSW 2039
 T: (02) 9810 6911
 F: (02) 9810 6922
 E: sda@sdastructures.com.au

PROJECT
**PROPOSED CHILDCARE CENTRE
 LEICHHARDT PARK**

TITLE
**EXTERNAL WORKS
 TIMBER SLAT CANOPY**

JOB NUMBER	DRAWING NUMBER	REVISION
14210	S4.03	C
DATE 14/07/15	SCALE @ A1 AS NOTED	CERTIFIED <i>Karin Wang</i>
DESIGNED L.D.B.	DRAWN J.W.	