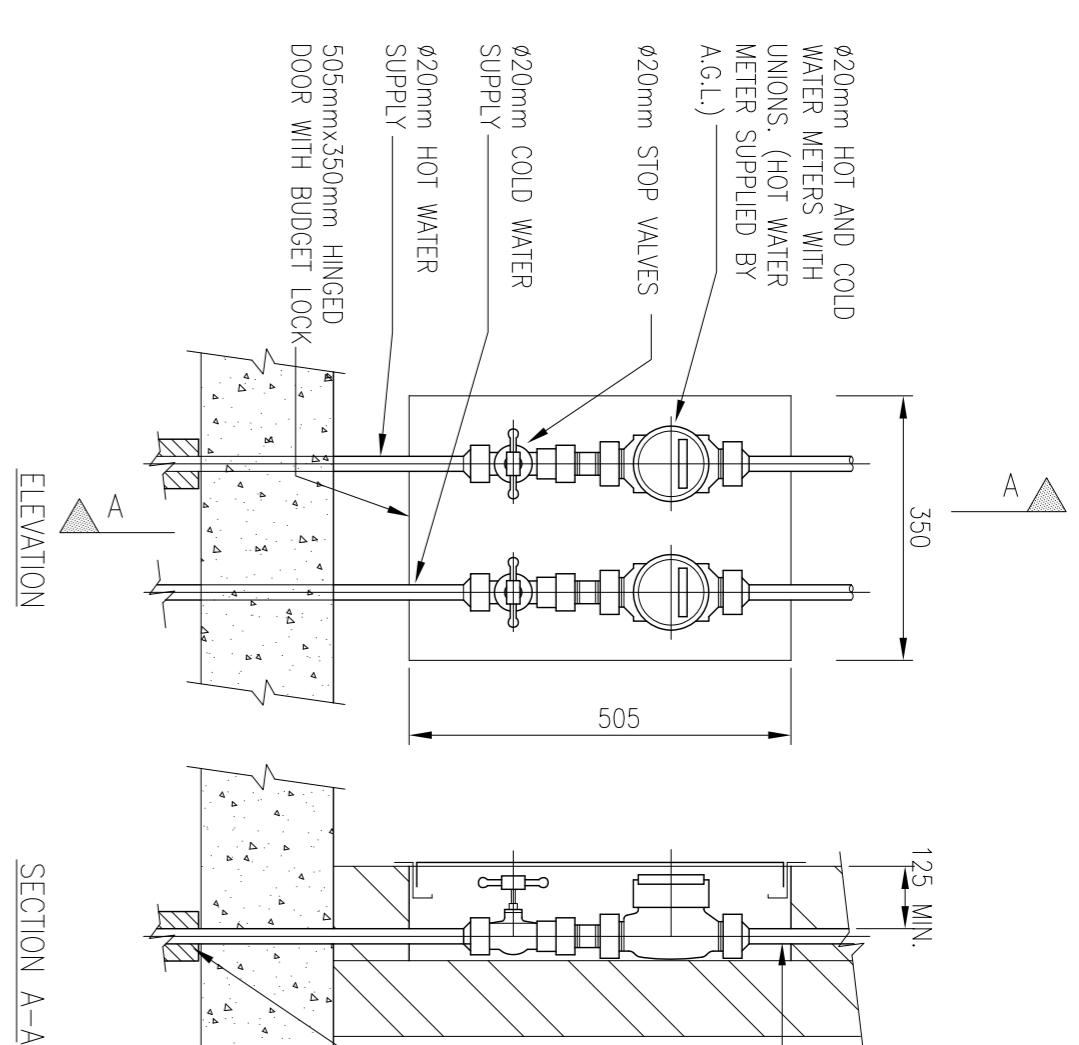
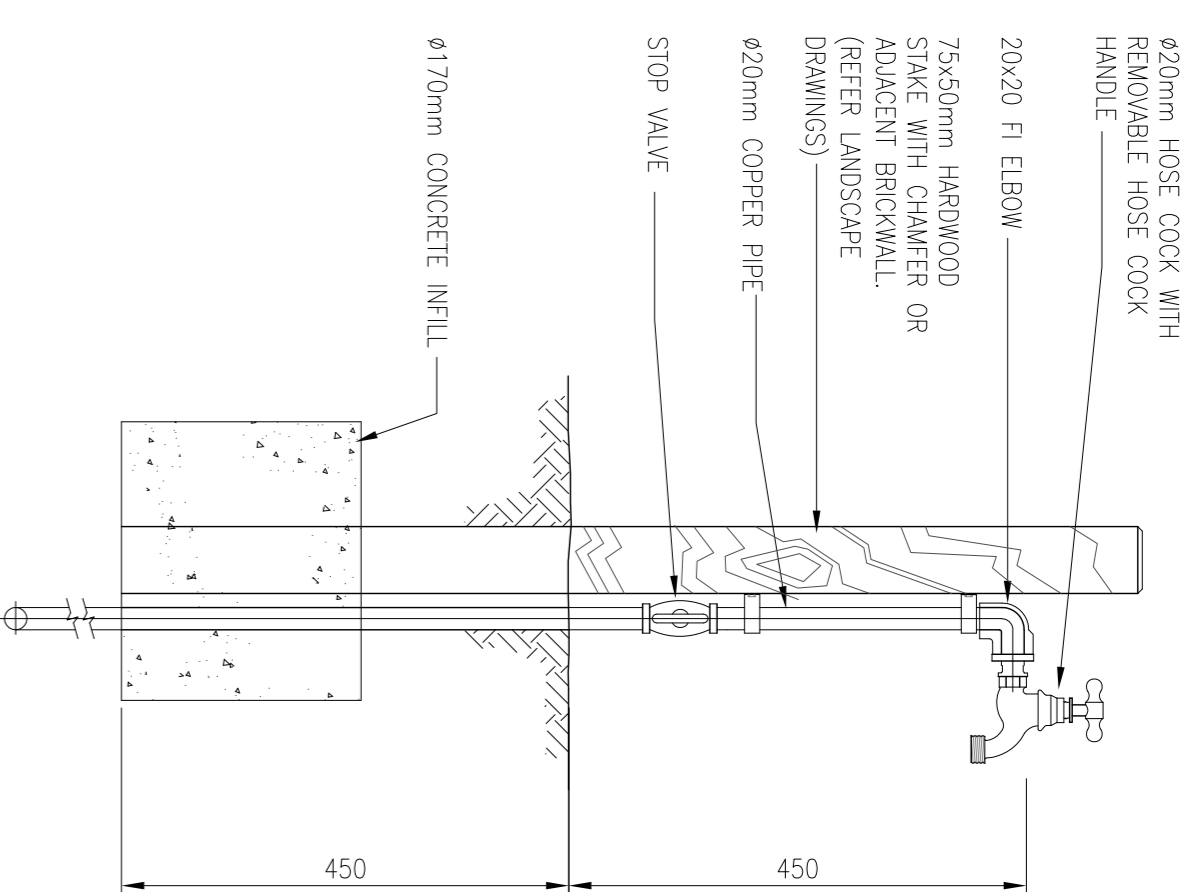


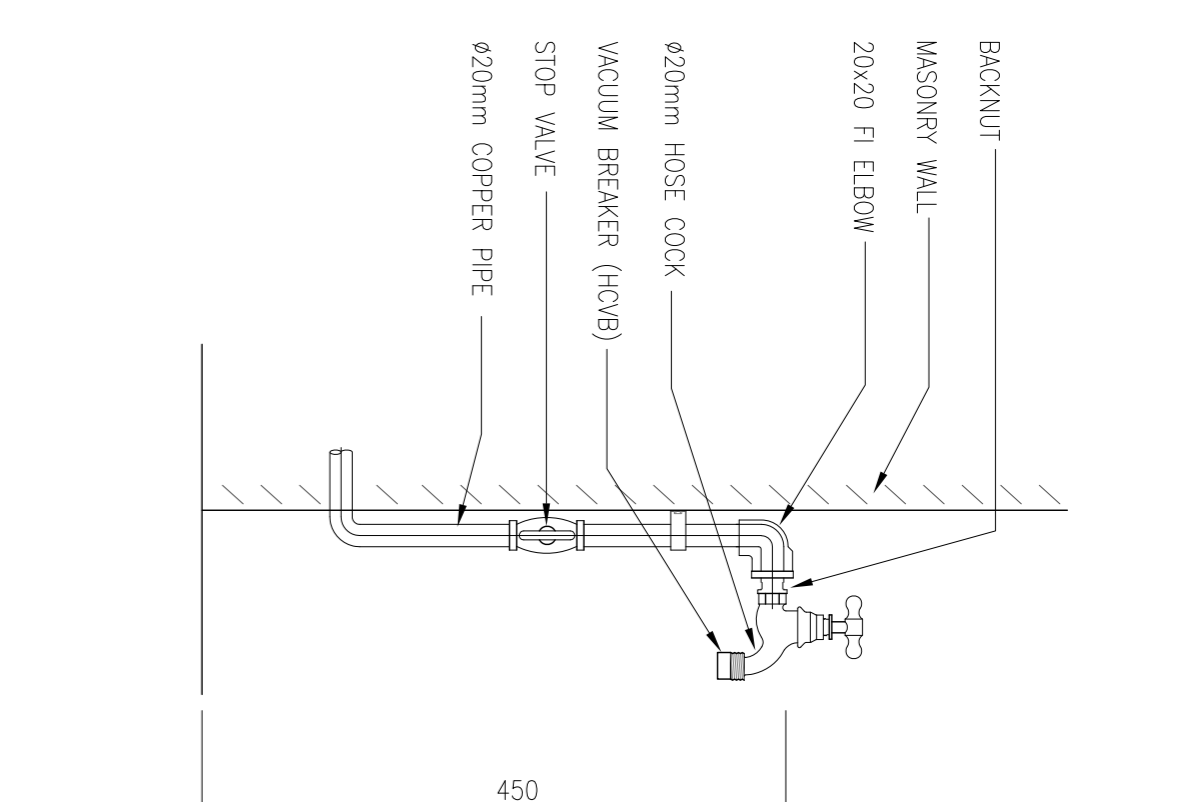
THERMOSTATIC MIXING VALVE IN RECESSED STAINLESS STEEL BOX



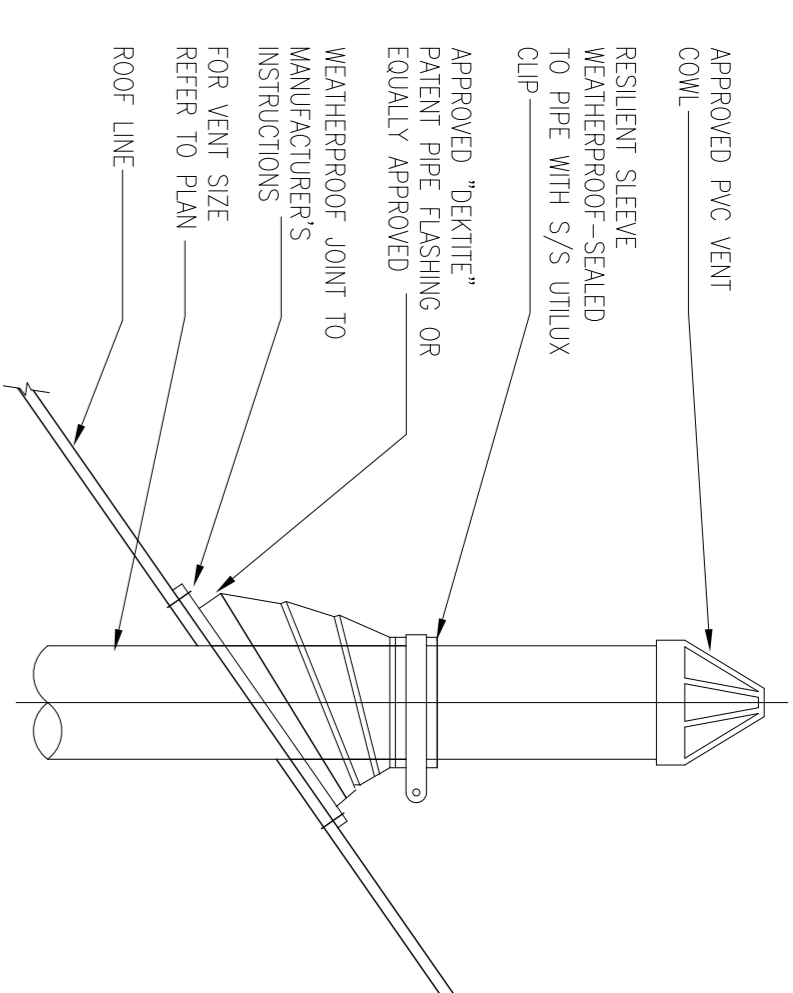
WATER METER ARRANGEMENT



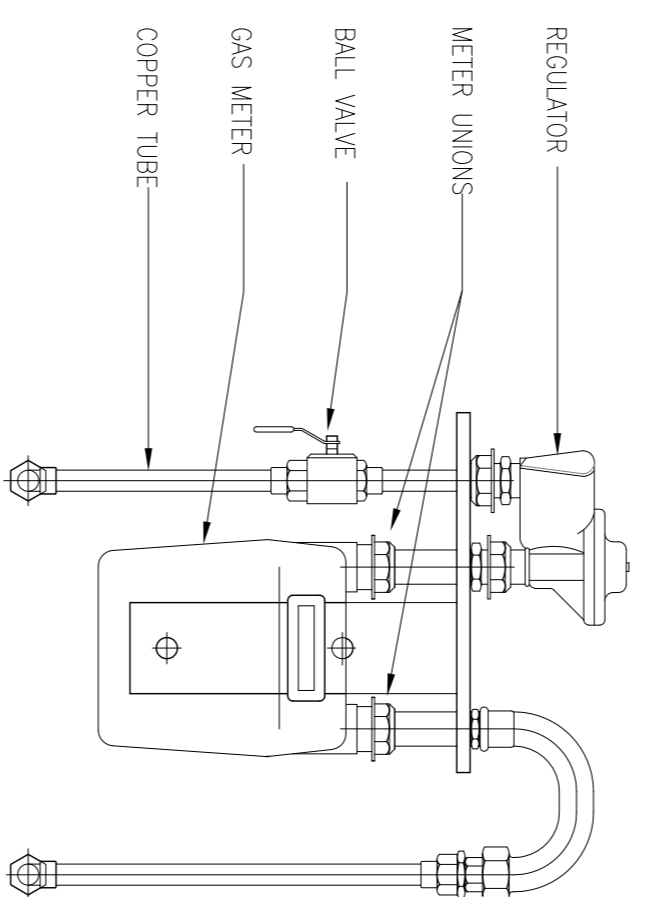
HOSE TAP AND STAND PIPE



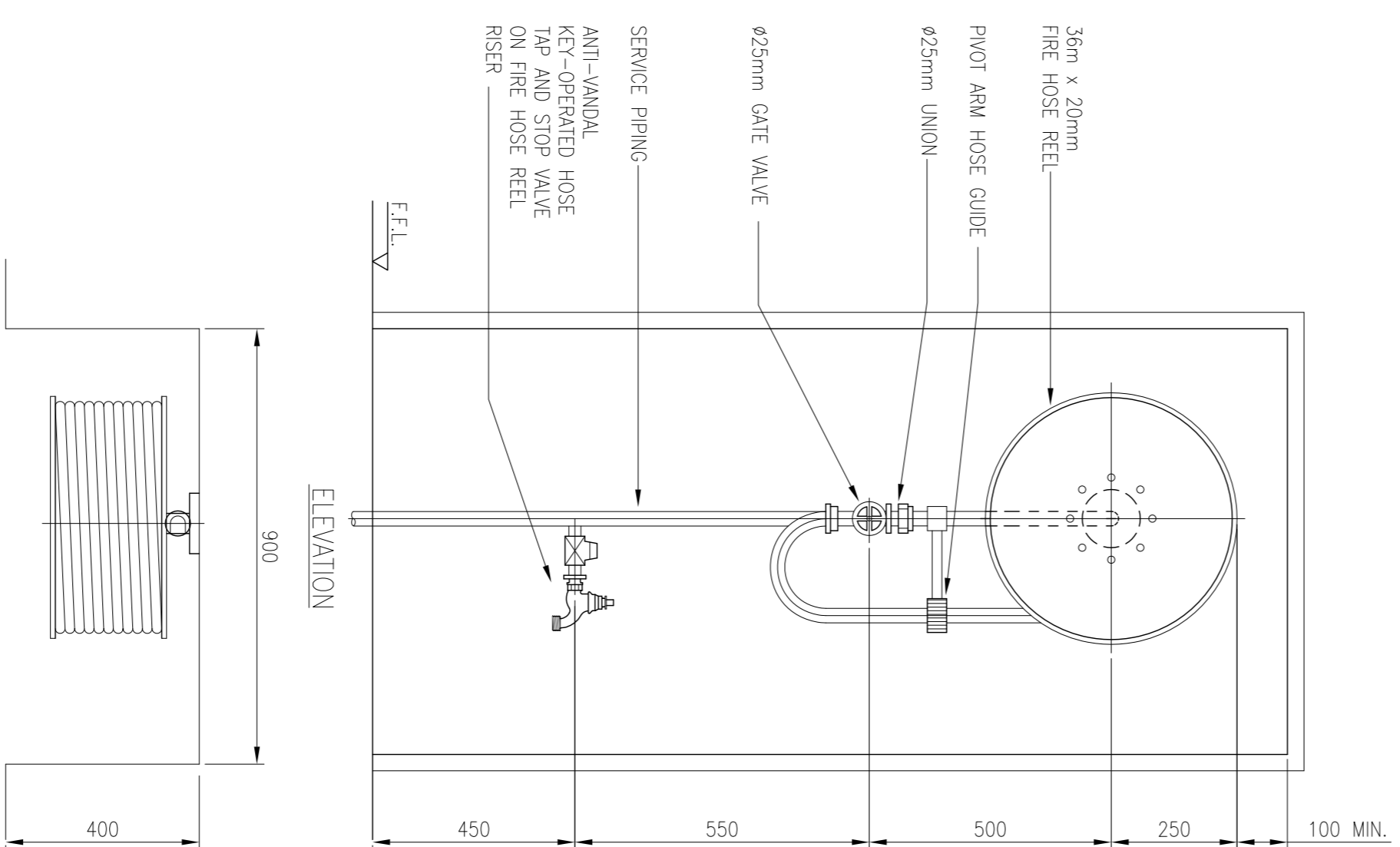
EXTERNAL HOSE TAP



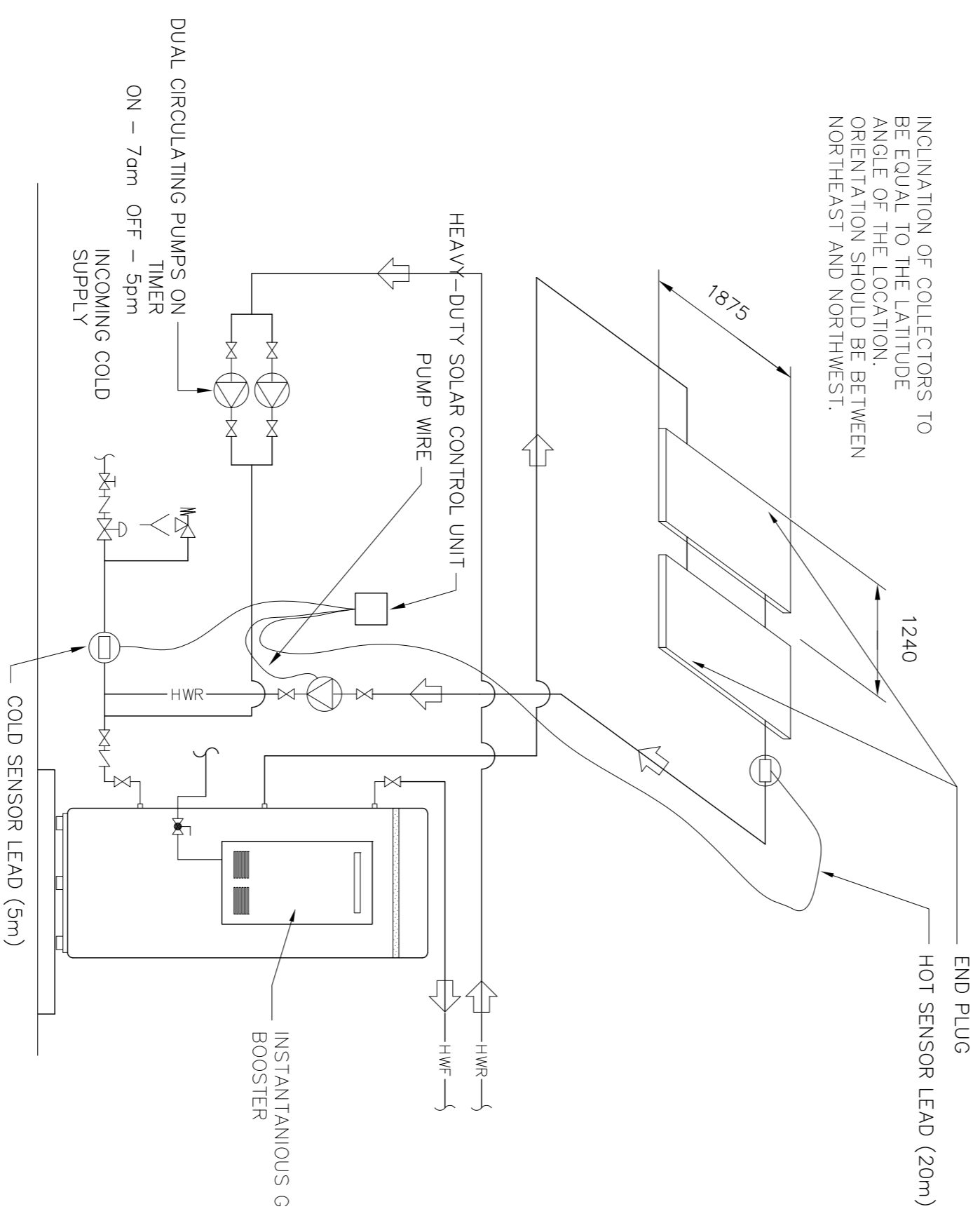
TYPICAL VENT TERMINATION



GAS METER



TYPICAL FIRE HOSE REEL



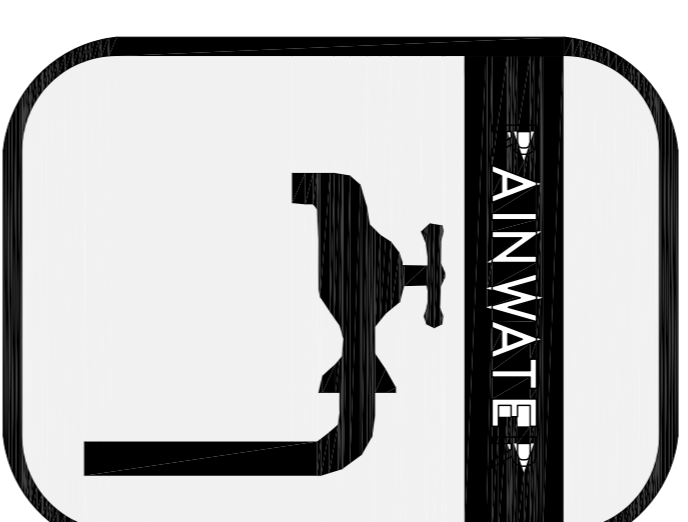
INCLINATION OF COLLECTORS TO BE EQUAL TO THE LATITUDE ANGLE OF THE LOCATION. ORIENTATION SHOULD BE BETWEEN NORTHEAST AND NORTHWEST.

NOTES

- SOLAR FLOW AND RETURN PIPES TO BE SIZED AS SPECIFIED IN RHEEM PRODUCT SPECIFICATION
- FLOW AND RETURN LINES TO BE FOAM INSULATED OR SIMILAR
- CLAMPED TO ALLOW SIDEWAYS MOVEMENT
- ENSURE ALL INSTALLATION REQUIREMENTS OF LOCAL AUTHORITIES
- REFER TO RHEEM PRODUCT SPECIFICATION FOR THE RELIEF VALVE REQUIREMENTS
- RELIEF VALVE SHOULD BE SHOWN IDENTIFIED BY A RHEEM P/N PLATE BE PURCHASED FROM MAXIMUM COLLECTORS IN AN ARRAY IS 15.000mm BETWEEN MAIN PIPES OF SOLAR STORAGE TANK IS 100mm. A MINIMUM OF 900mm SHOULD BE MAINTAINED FOR ACCESS TO STORAGE TANK FOR ACCESS, SERVICING AND TANK REMOVAL.

LEGEND

- ⊗ STOP VALVE
- ⊘ NON-RETURN VALVE
- ⊙ PRESSURE LIMITING VALVE
- ⊚ EXPANSION CONTROL VALVE
- ↔ DIRECTION OF FLOW
- ⊞ GATE VALVE
- ⊕ CIRCULATOR
- ⊖ UNION
- ⊙ TANDISH

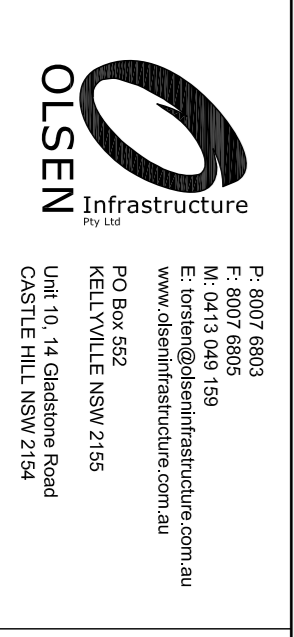


- COLORS:
- BACKGROUND = YELLOW
  - TEXT = WHITE
  - TEXT BACKGROUND = BLACK
  - TAP = BLACK
  - PERMETER = BLACK

DESCRIPTION	QTY	REVISION
HEAVY-DUTY SOLAR LINE (Basic Array - Additional Components Required)		
CONTROL UNIT SOLAR LINE HD ASSEMBLY	02/210	
CONNECTOR LINE/LINE SFC TWO PER SYSTEM	195702	
CONNECTOR LINE/LINE SFC TWO PER ARRAY	195701	
END PLUG LINE/LINE SFC TWO PER COLLECTOR	195703	
RELIEF VALVE REQUIREMENTS	088805	
CLIP FOR CONNECTORS SFC TWO PER ARRAY PLUS ONE PER END PLUG	082023	
20mm RMC STOP COCK	195708	
PUMP CIRCULATOR GROUND FOR THE SYSTEM	299888	

REV	DATE	APPRO	REVISION DETAILS
1	22.07.15	TO	ISSUED FOR CONSTRUCTION
A	26.03.15	TO	ISSUED FOR TENDER

THE CONTRACTOR SHALL BE RESPONSIBLE FOR THE PROTECTION OF ALL EXISTING SERVICES AND UTILITIES. THE CONTRACTOR SHALL BE RESPONSIBLE FOR THE PROTECTION OF ALL EXISTING SERVICES AND UTILITIES. THE CONTRACTOR SHALL BE RESPONSIBLE FOR THE PROTECTION OF ALL EXISTING SERVICES AND UTILITIES.



ARCHITECT:  
**Dillon & Savage Architects**  
40 Quinton Rd, Manly, 2095  
Phone: (02) 9977 9714 Fax: (02) 9977 8215  
Email: ds@dsas.com.au

CLIENT:  
**LEICHHARDT COUNCIL**  
7-15 Wertheim St, Leichhardt NSW 2040  
Phone: (02) 9587 8222 Fax: (02) 9587 9111  
Email: leichhardt@lmc.nsw.gov.au

PROJECT:  
**LEICHHARDT PARK CHILD CARE CENTRE**

DRAWING TITLE:  
**HYDRAULIC SERVICES**

DRAWING SCALE:  
**H07**

DRAWING NO.:  
**H07**

ISSUED FOR CONSTRUCTION

DRAWING NO.	SHEET	OF	REV
H07	8	9	1