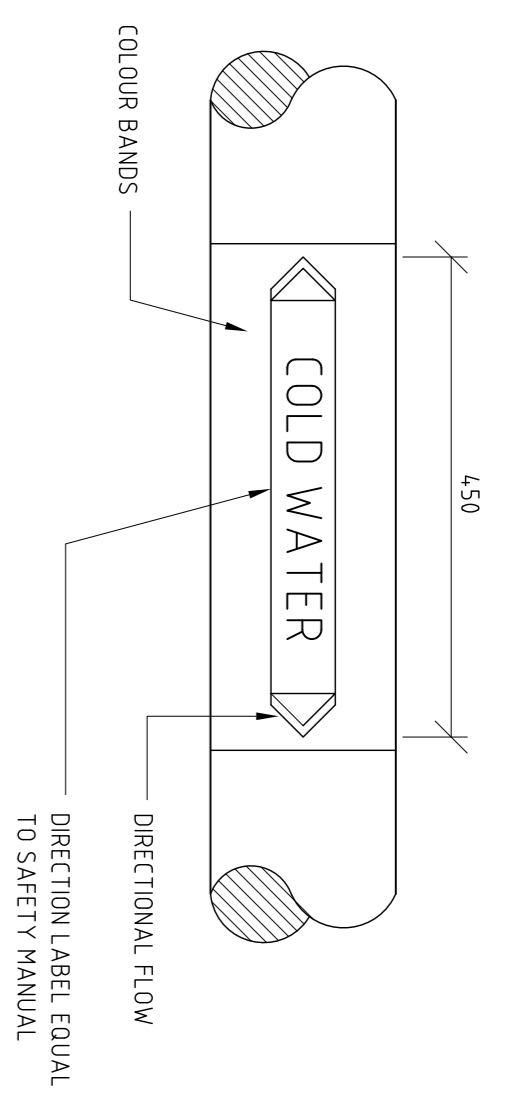


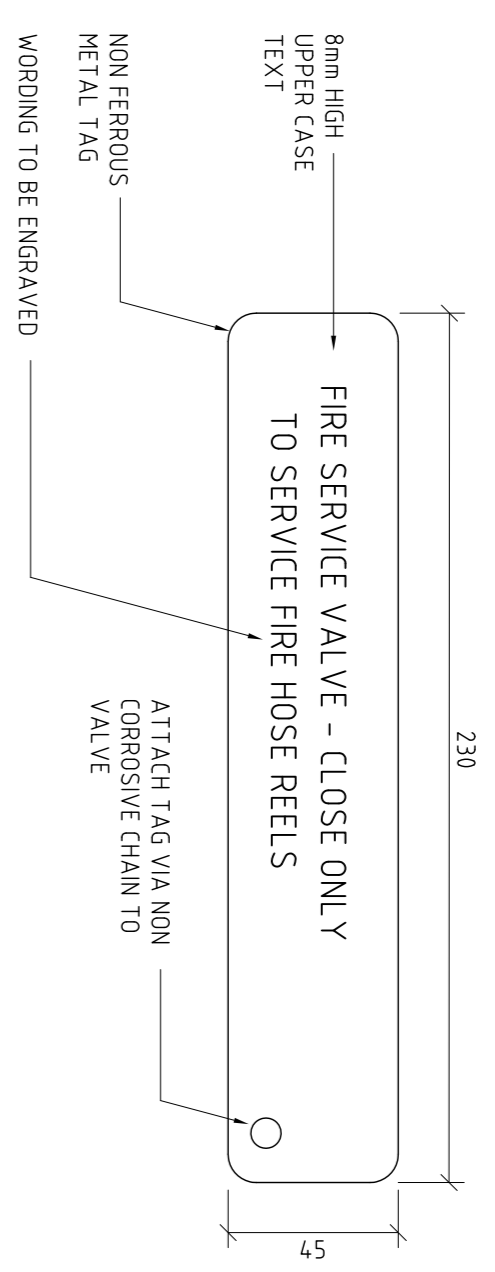
DOUBLE HEADED EXTERNAL FIRE HYDRANT



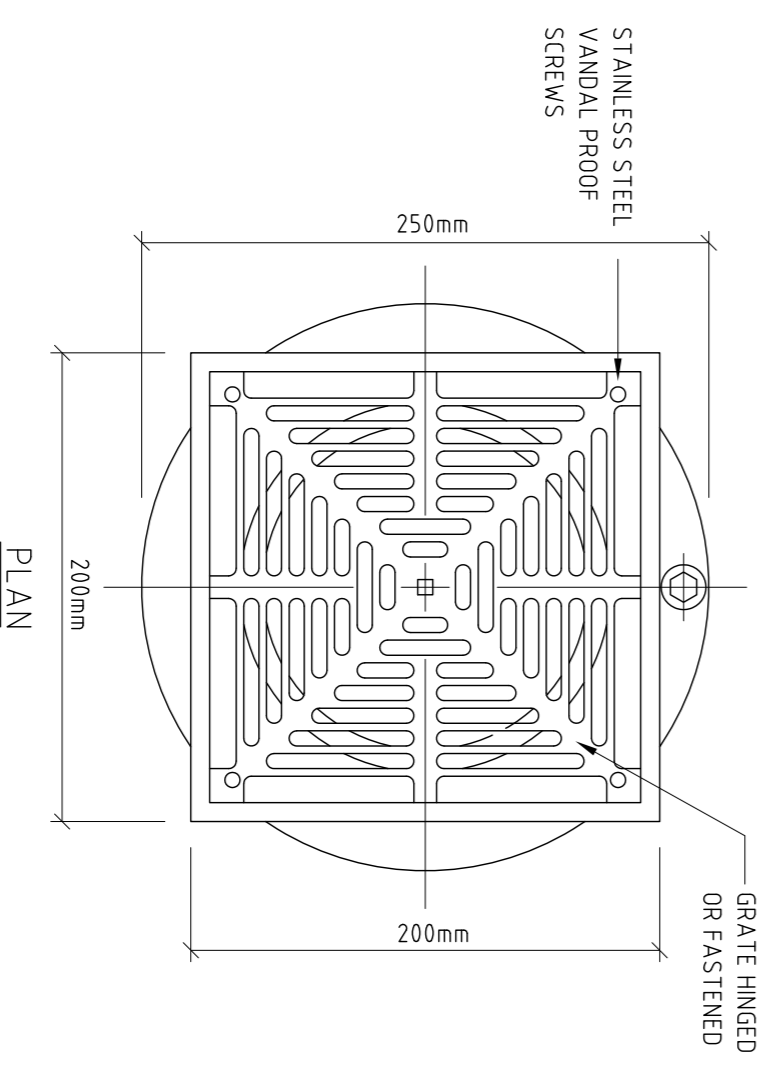
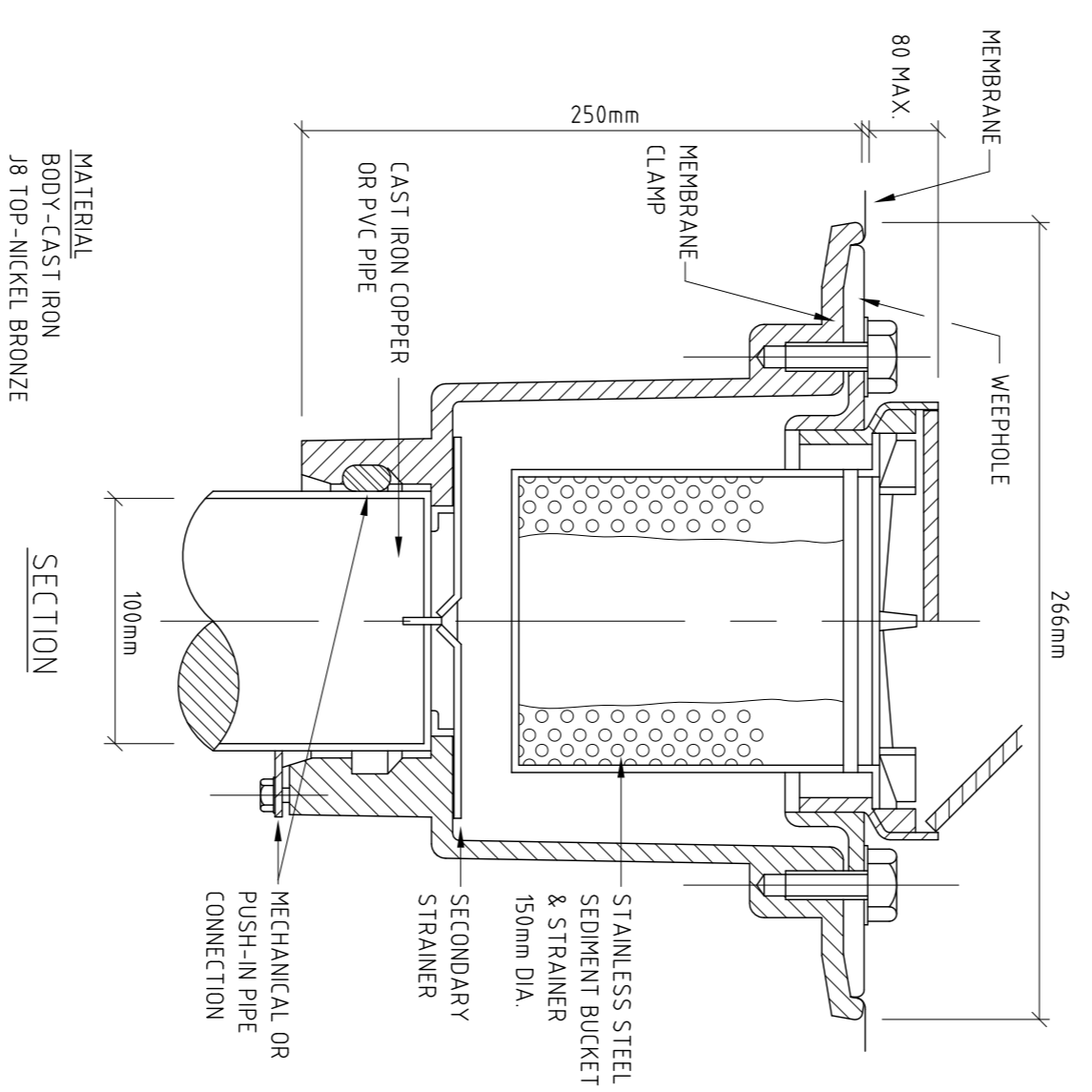
ALL OTHER EXPOSED PIPING EXCEPT AS OTHERWISE DIRECTED OR SPECIFIED BELOW SHALL BE CLEANED FREE OF CEMENT DROPPINGS, ETC. AND BE PAINTED IN ACCORDANCE WITH A 5.134.5-1972, B 5.381C-1967 AND THE COLOUR CODING INDICATED BELOW.

SERVICE	GROUNDING COLOUR	No.
DOMESTIC COLD WATER	EMERALD GREEN	228
FIRE SERVICE DOWNPIPES	SIGNAL RED	537
HOT WATER	ROOF COLOUR/BOND BRILLIANT GREEN	-
SOIL WASTE VENT	BLACK	221

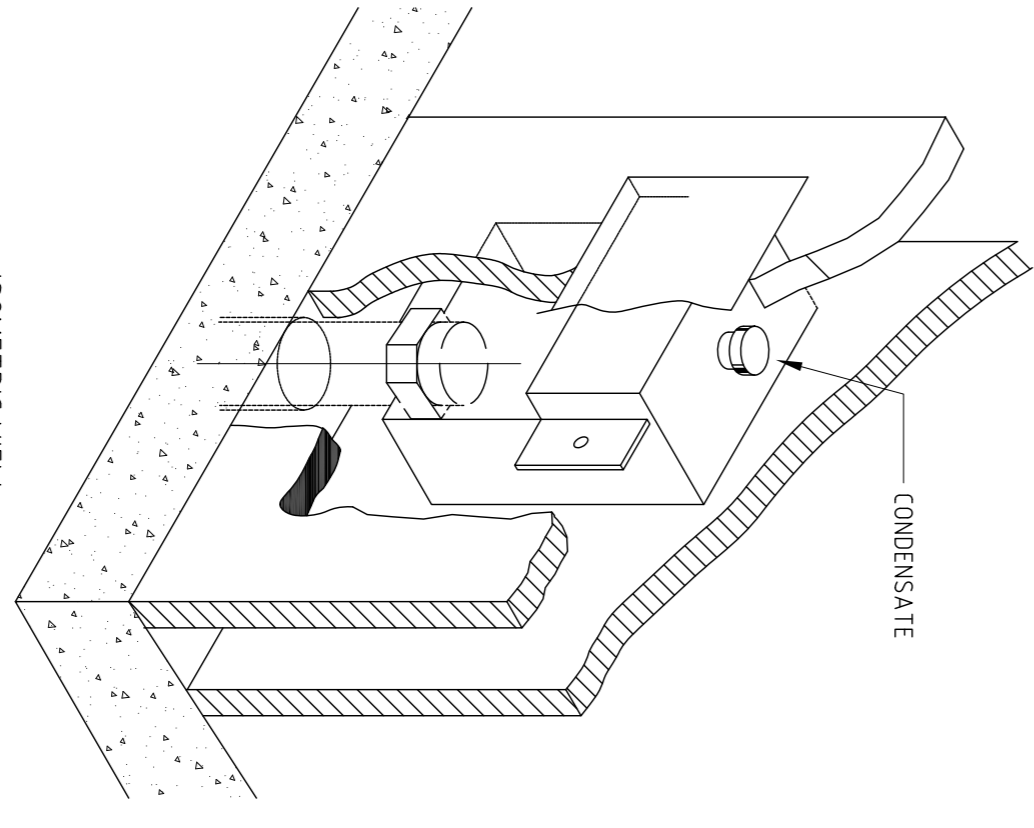
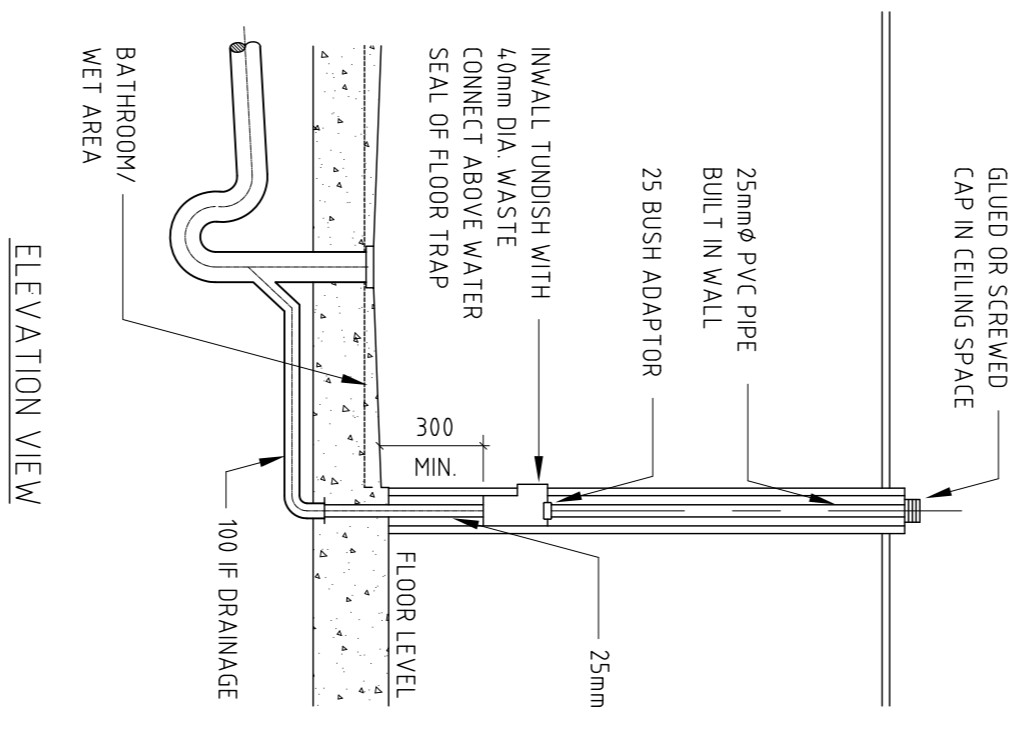
PIPING IDENTIFICATION DETAIL



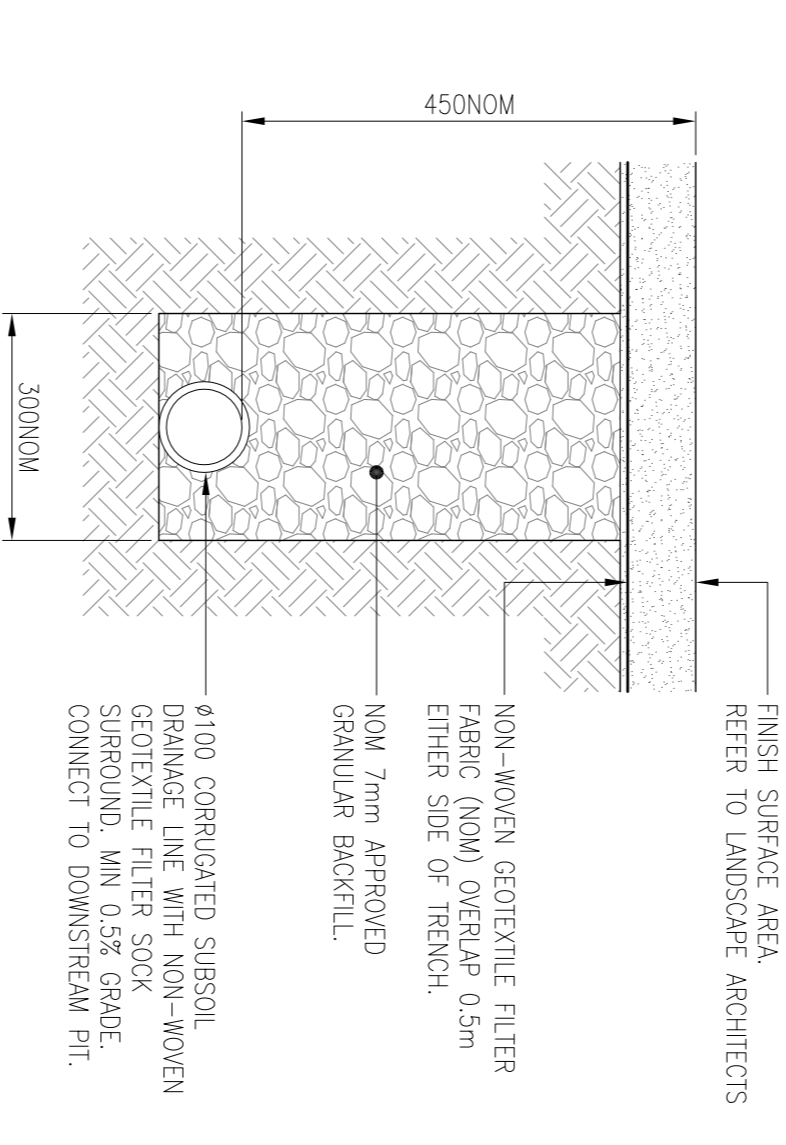
FIRE HOSE REEL VALVE WARNING TAG



BUCKET TRAP FLOOR WASTE



INWALL TUNDISH



SUBSOIL IN LANDSCAPING

ISSUED FOR CONSTRUCTION

REV	DATE	APPRD	REVISION DETAILS
1	22.07.15	TO	ISSUED FOR CONSTRUCTION
A	26.03.15	TO	ISSUED FOR TENDER

OLSEN Infrastructure
 P: 8007 8803
 F: 8007 6805
 M: 043 988 098
 www.olseninfrastructure.com.au
 PO Box 452
 KELLYVILLE NSW 2155
 Unit 11, 14 Gladstone Road
 CASTLE HILL NSW 2154

ARCHITECT:
Dillon & Savage Architects
 40 Quillon Rd, Merry, 2095
 Phone: (02) 9977 9714 Fax: (02) 9977 8215
 Email: dsavage@oligoandnd.com.au

CLIENT:
LEICHHARDT COUNCIL
 7-15 Werthen St, Leichhardt NSW 2040
 Phone: (02) 9587 8222 Fax: (02) 9587 9111
 Email: leichhardt@mc.nsw.gov.au

PROJECT:
LEICHHARDT PARK CHILD CARE CENTRE

DRAWING TITLE:
HYDRAULIC SERVICES DETAILS SHEET 2

DRAWING SCALE:
 NTS
DRAWING No. H08
 DRAWN: MT
 DESIGNED: TK
 APPROVED: TO
 SHEET: 9 OF 9
 JOB NUMBER: 14226
 REV: 1