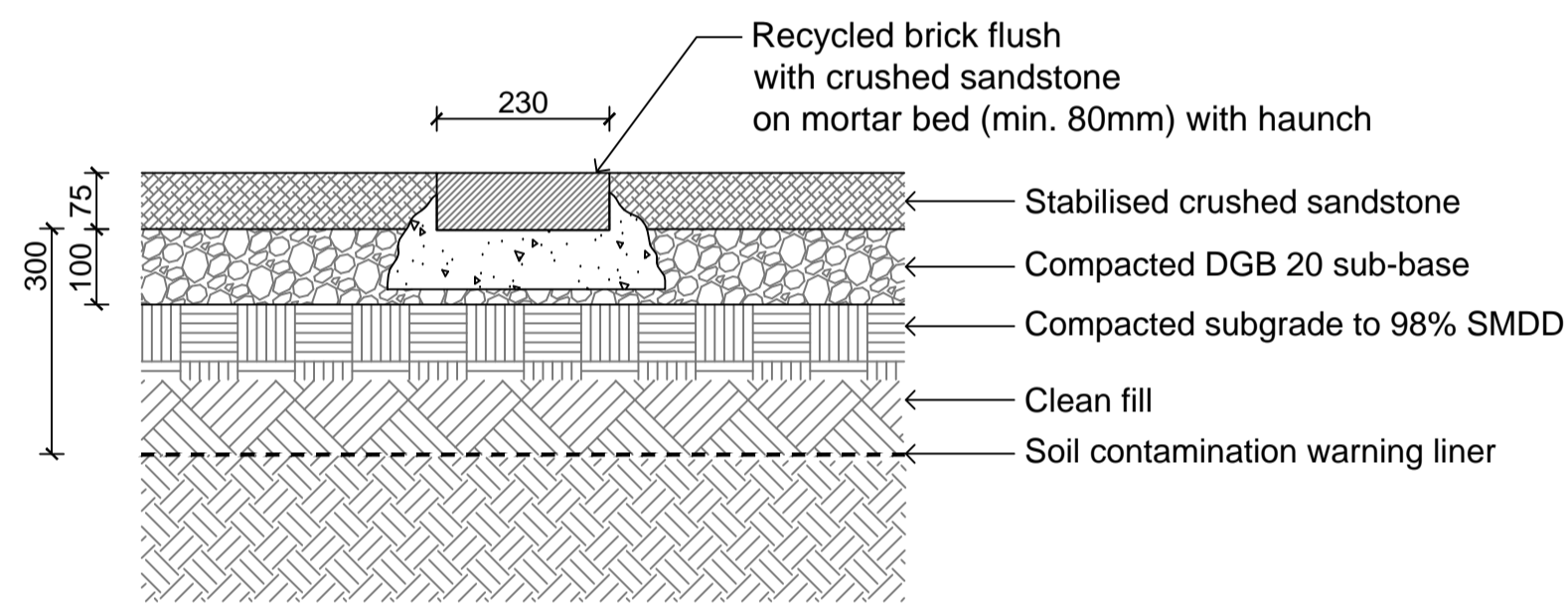
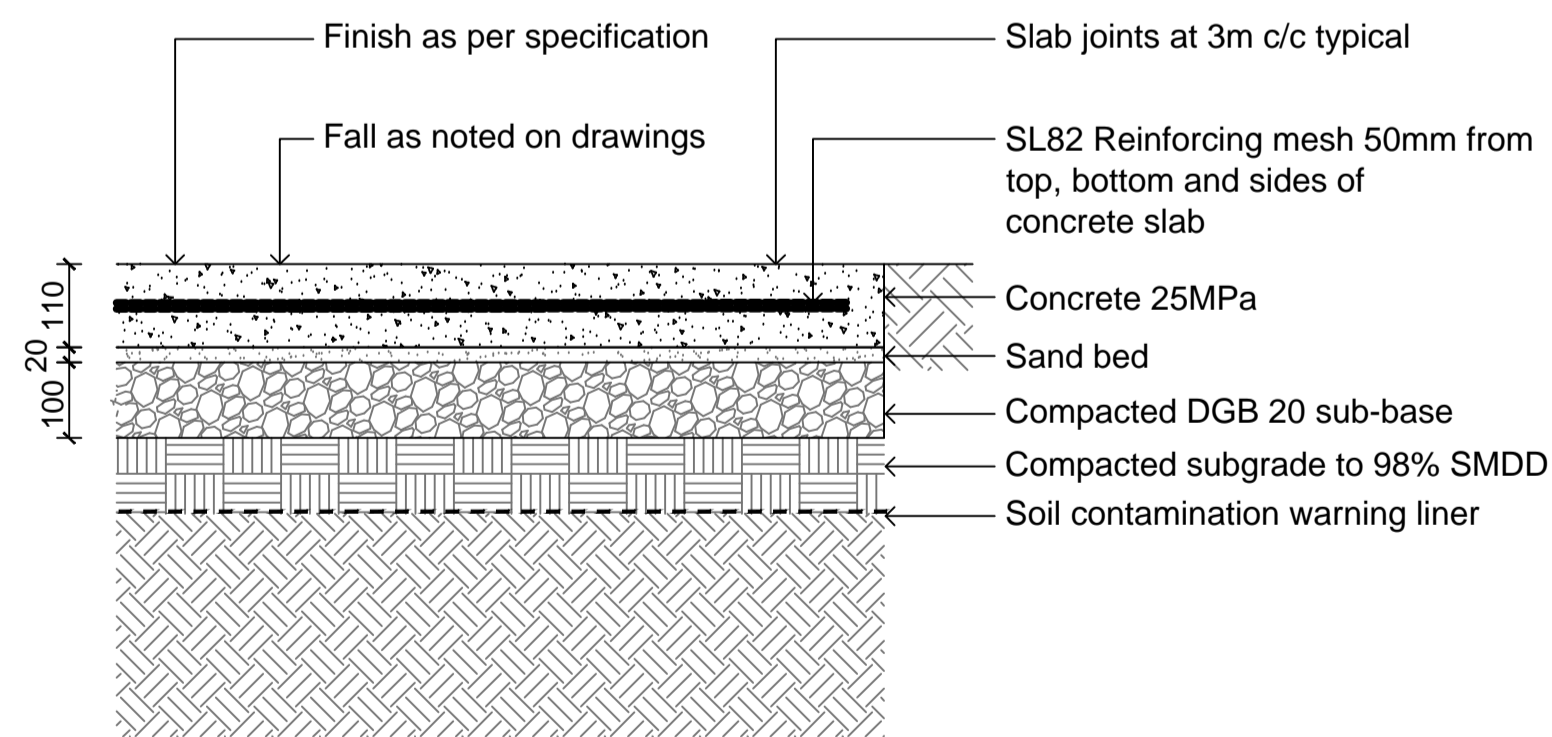


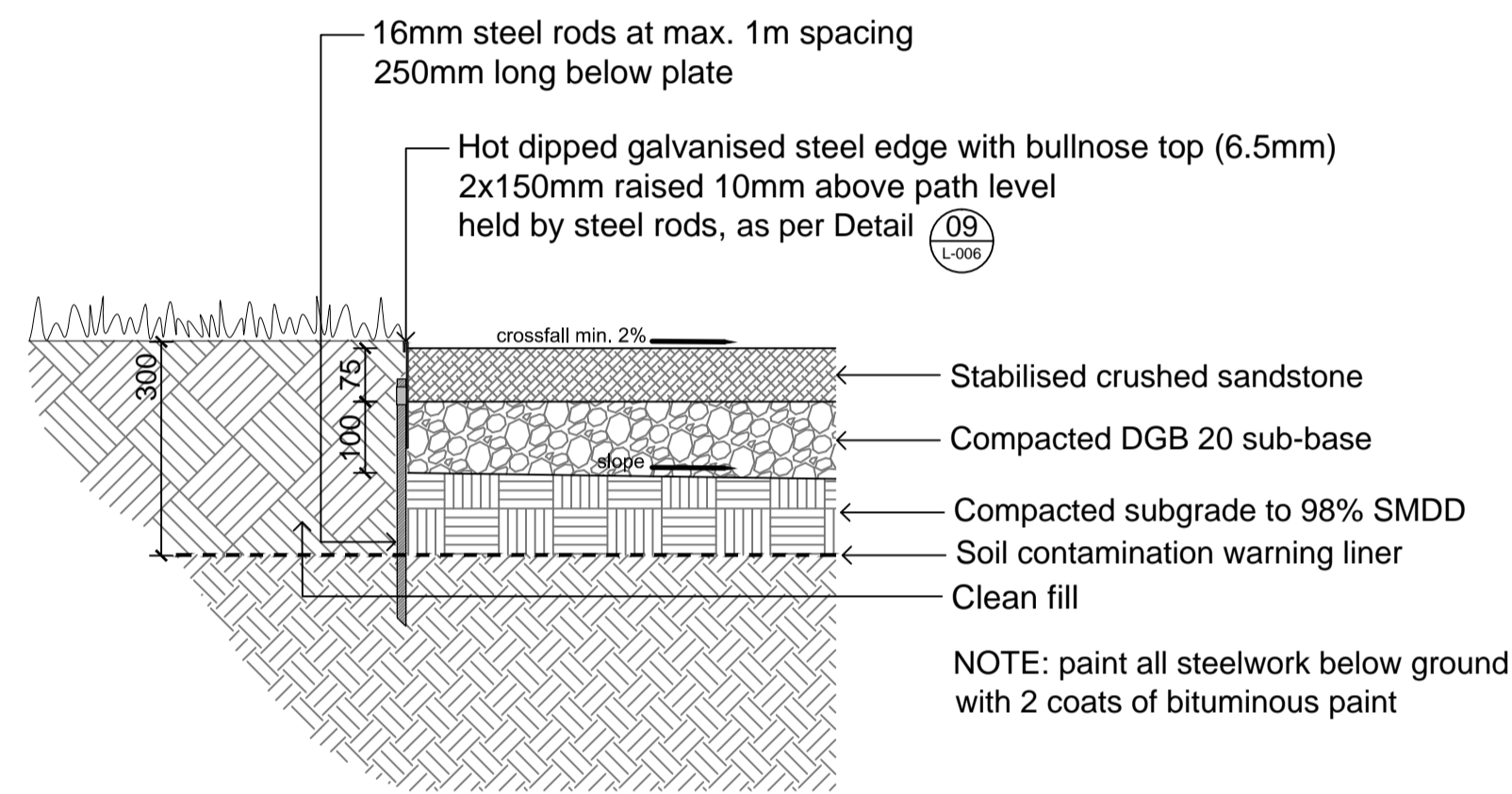
01 STABILISED CRUSHED SANDSTONE PATH WITH BRICK STRIPS
L-005 Detail Plan Scale 1:10



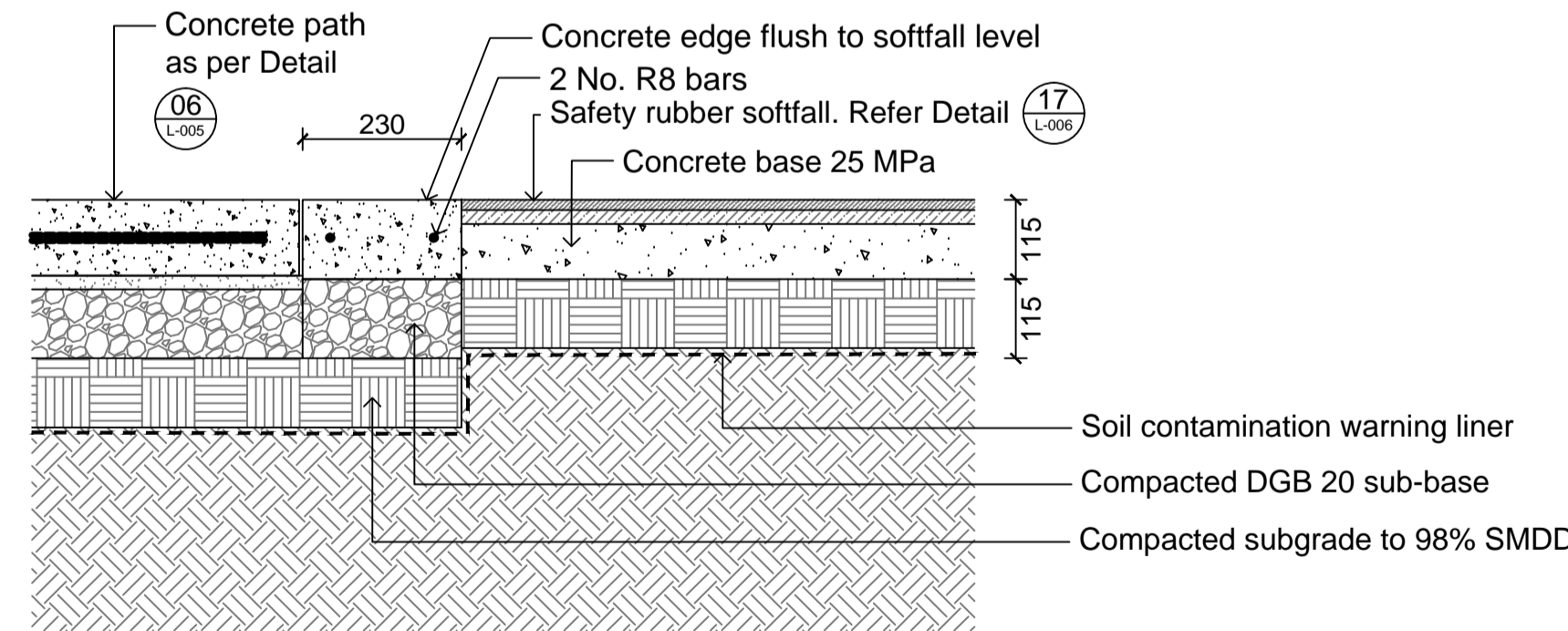
02 STABILISED CRUSHED SANDSTONE PATH WITH BRICK STRIPS
L-005 Detail Longitudinal-Section A - from Detail 01 Scale 1:10



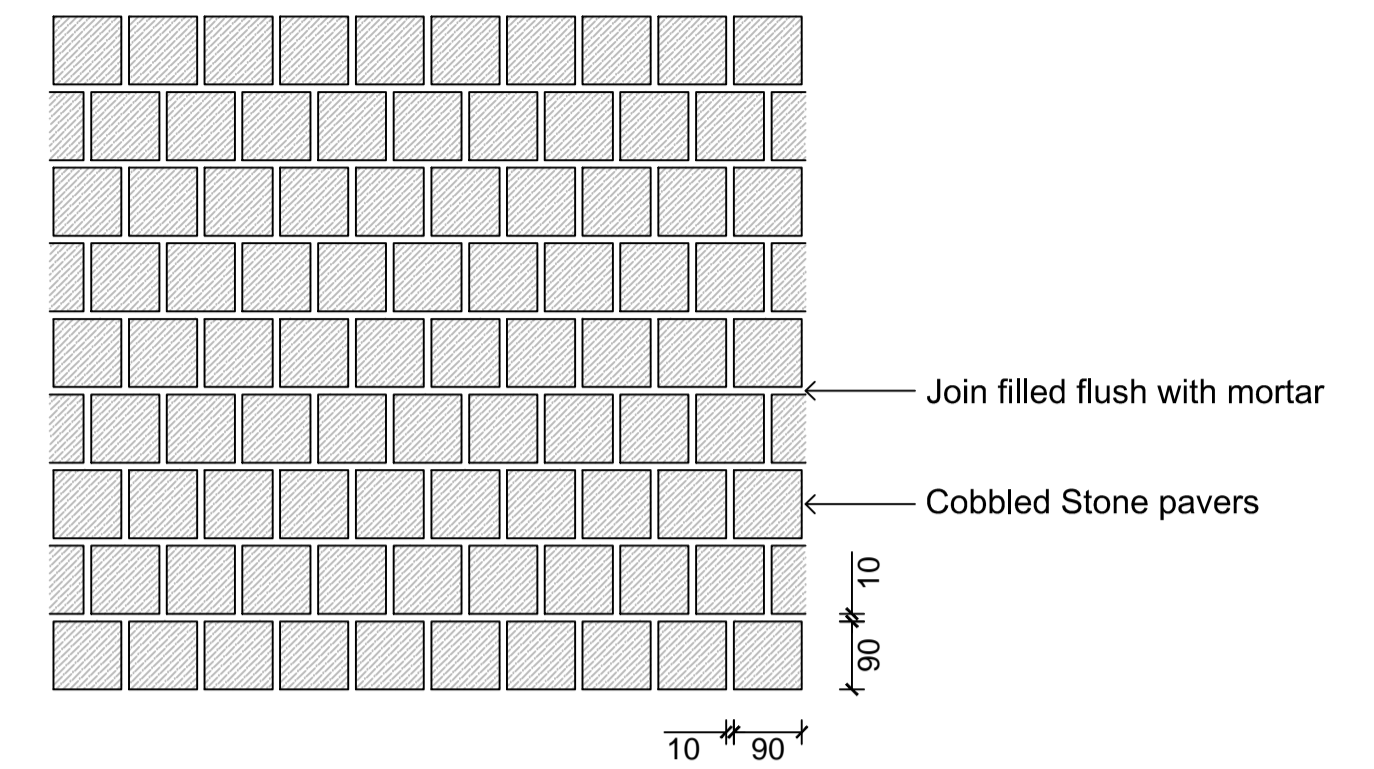
06 CONCRETE PATH
L-005 Detail Section Scale 1:10



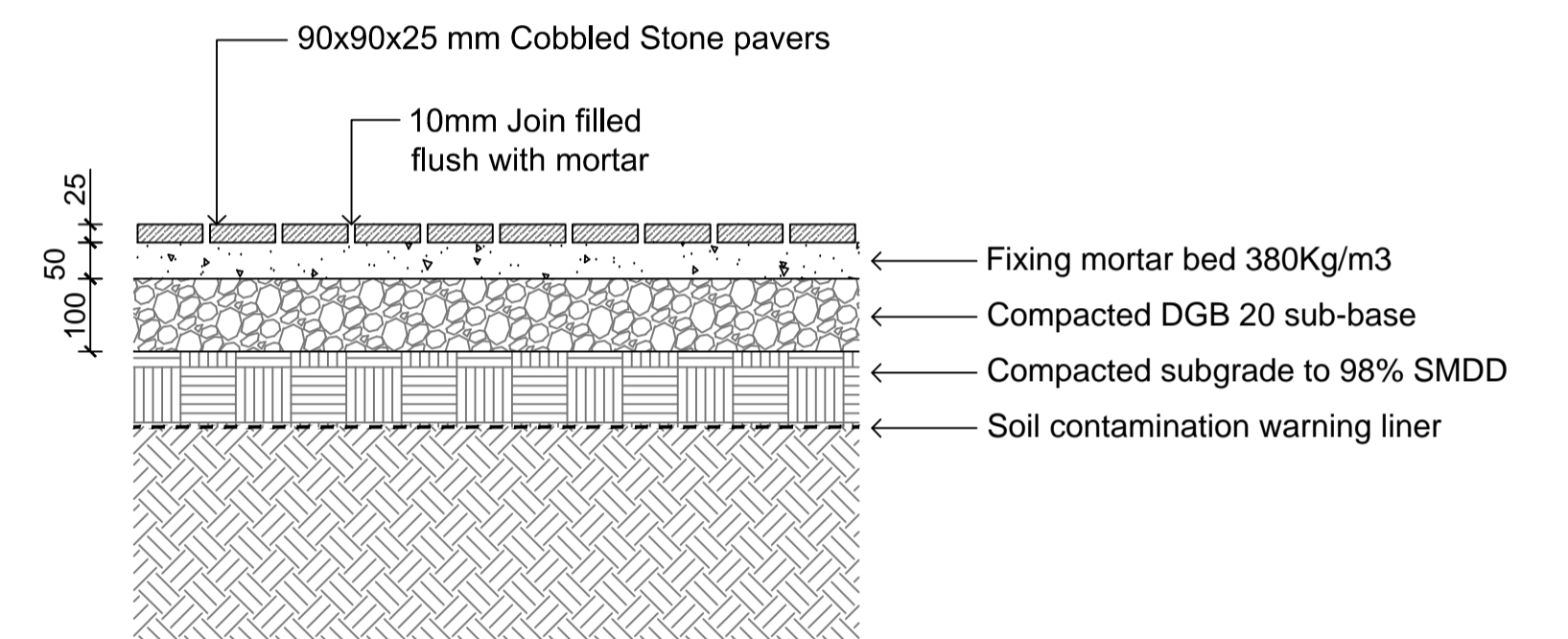
03 STABILISED CRUSHED SANDSTONE PATH
L-005 Detail Cross-Section B - from Detail 01 Scale 1:10



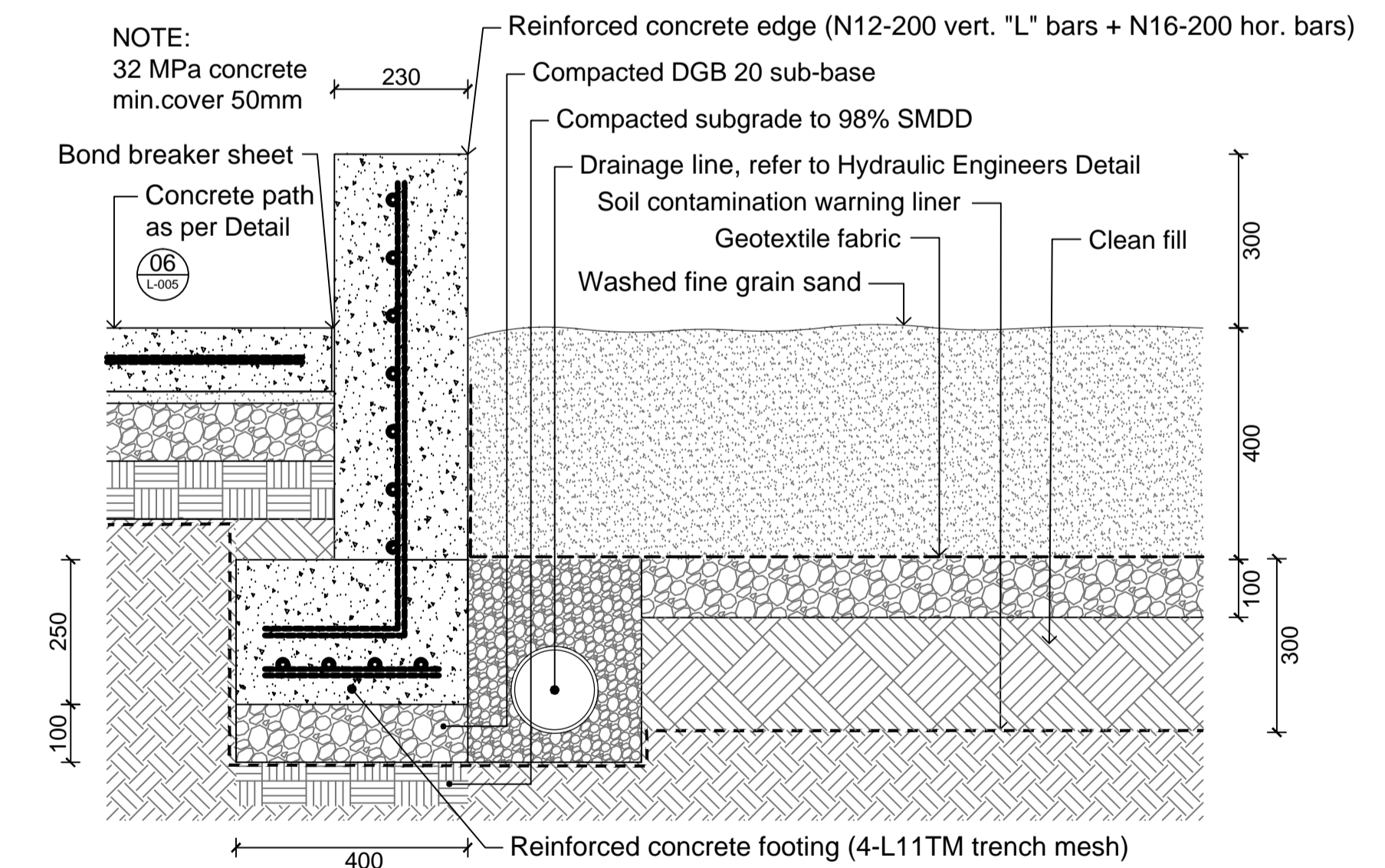
07 CONCRETE EDGE TO SOFTFALL 0-2 YEARS PLAYSPACE
L-005 Detail Section Scale 1:10



04 COBBLESTONE PAVING
L-005 Detail Plan Scale 1:10



05 COBBLESTONE PAVING
L-005 Detail Section Scale 1:10



08 CONCRETE EDGE TO SANDPIT 0-2 YEARS PLAYSPACE
L-005 Detail Section Scale 1:10