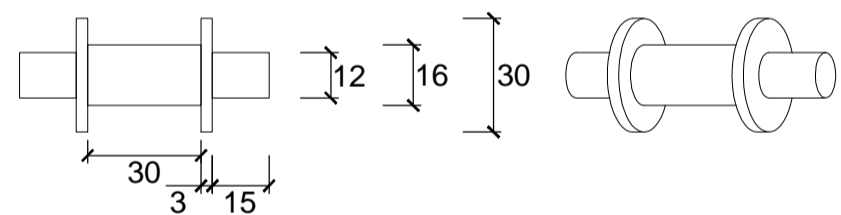
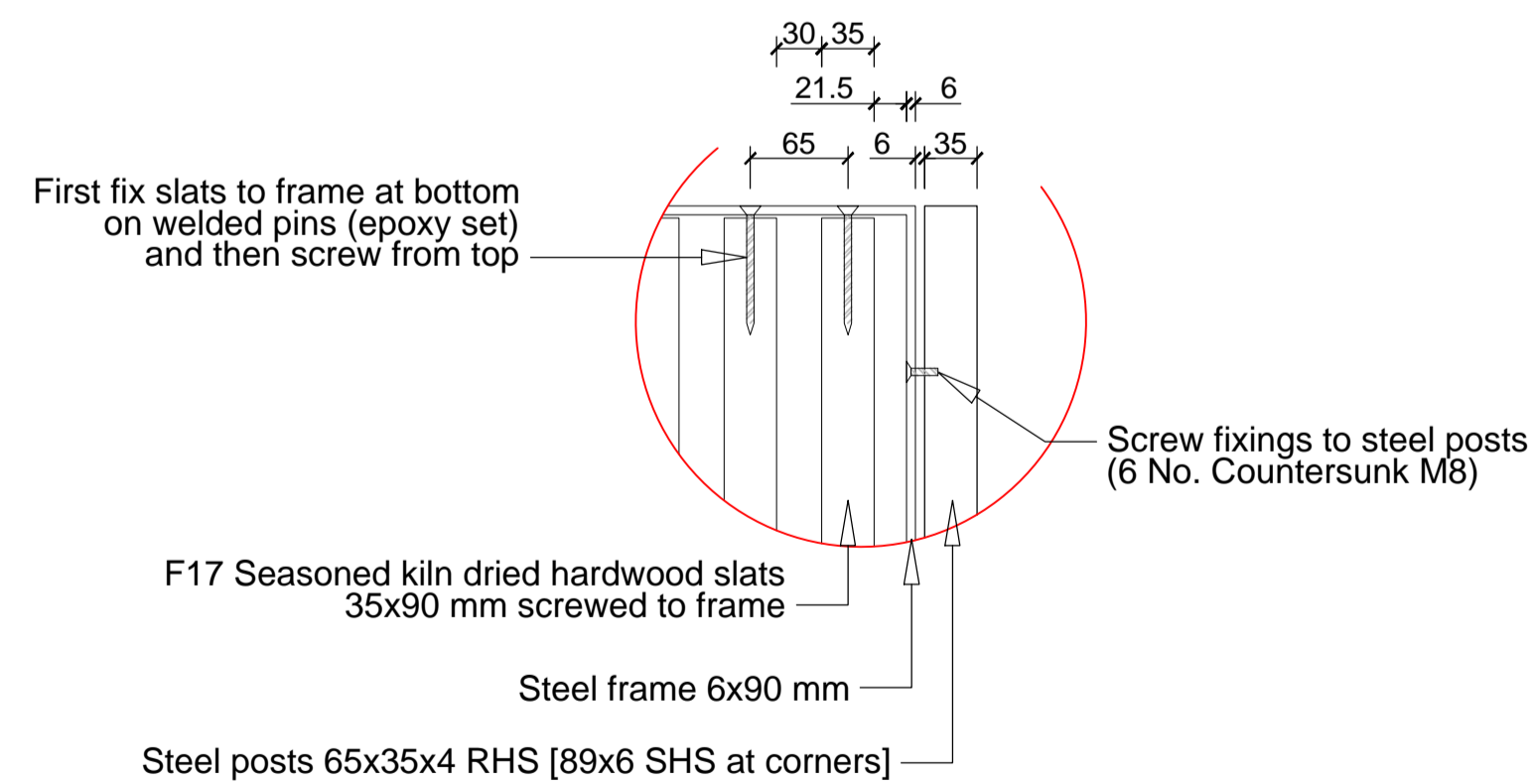


44 PANEL TYPE 1 - TIMBER SLATS SCREEN
L-013 Elevation & Top View Scale 1:10

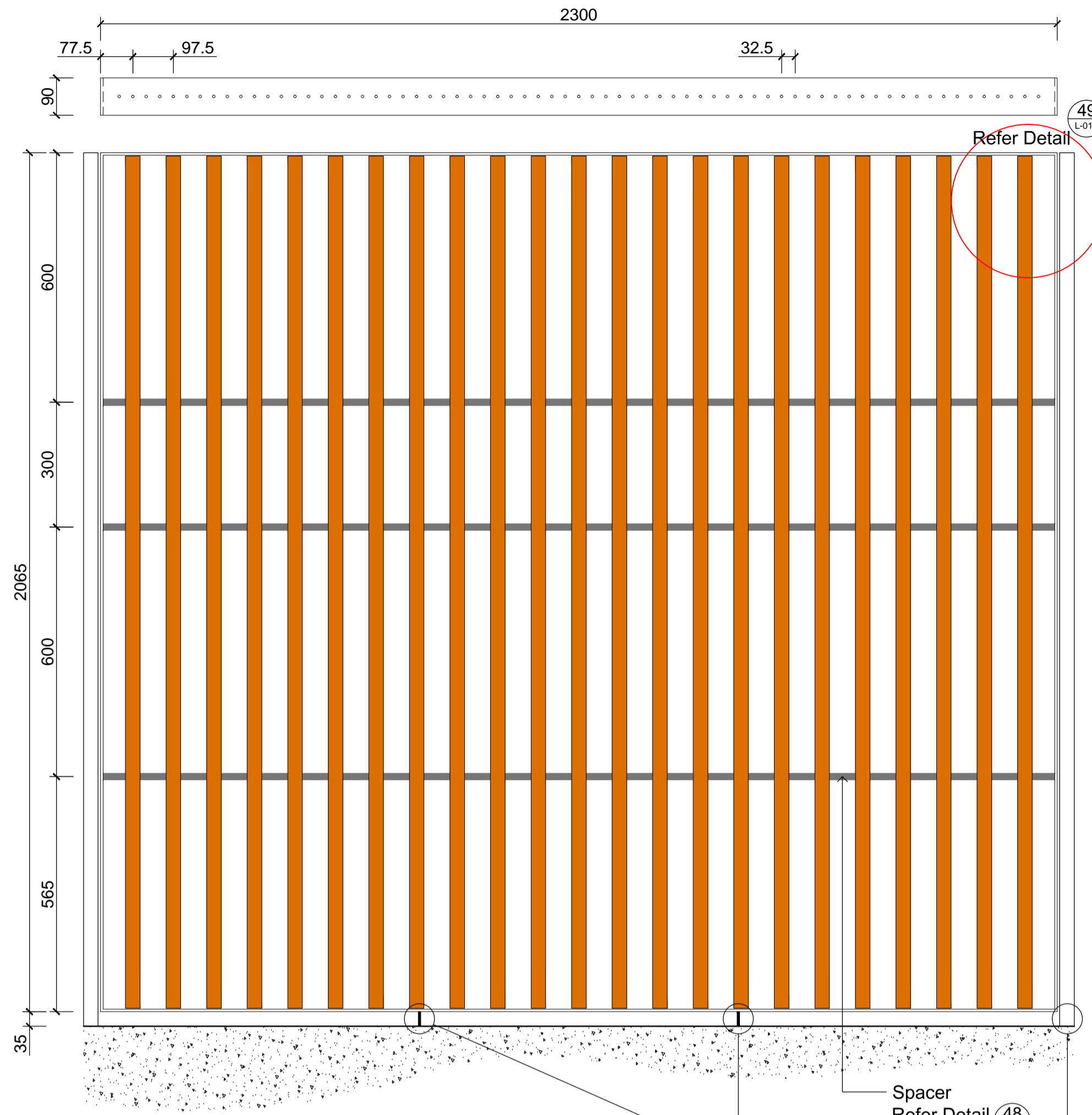
Base Intermediate Supports: 6 mm
Cleat welded to base plate bolted
into concrete footing (2m12
ChemSet 101)
Post welded to base plate bolted into
concrete footing (2m16 ChemSet 101)



45 PANEL TYPE 1 - SPACERS - TIMBER SLATS SCREEN
L-013 Detail Dimensions Scale 1:2

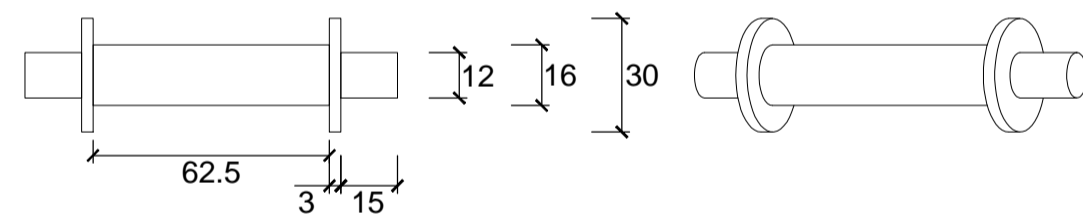


46 PANEL TYPE 1 - TIMBER SLATS SCREEN
L-013 Detail Section Scale 1:5

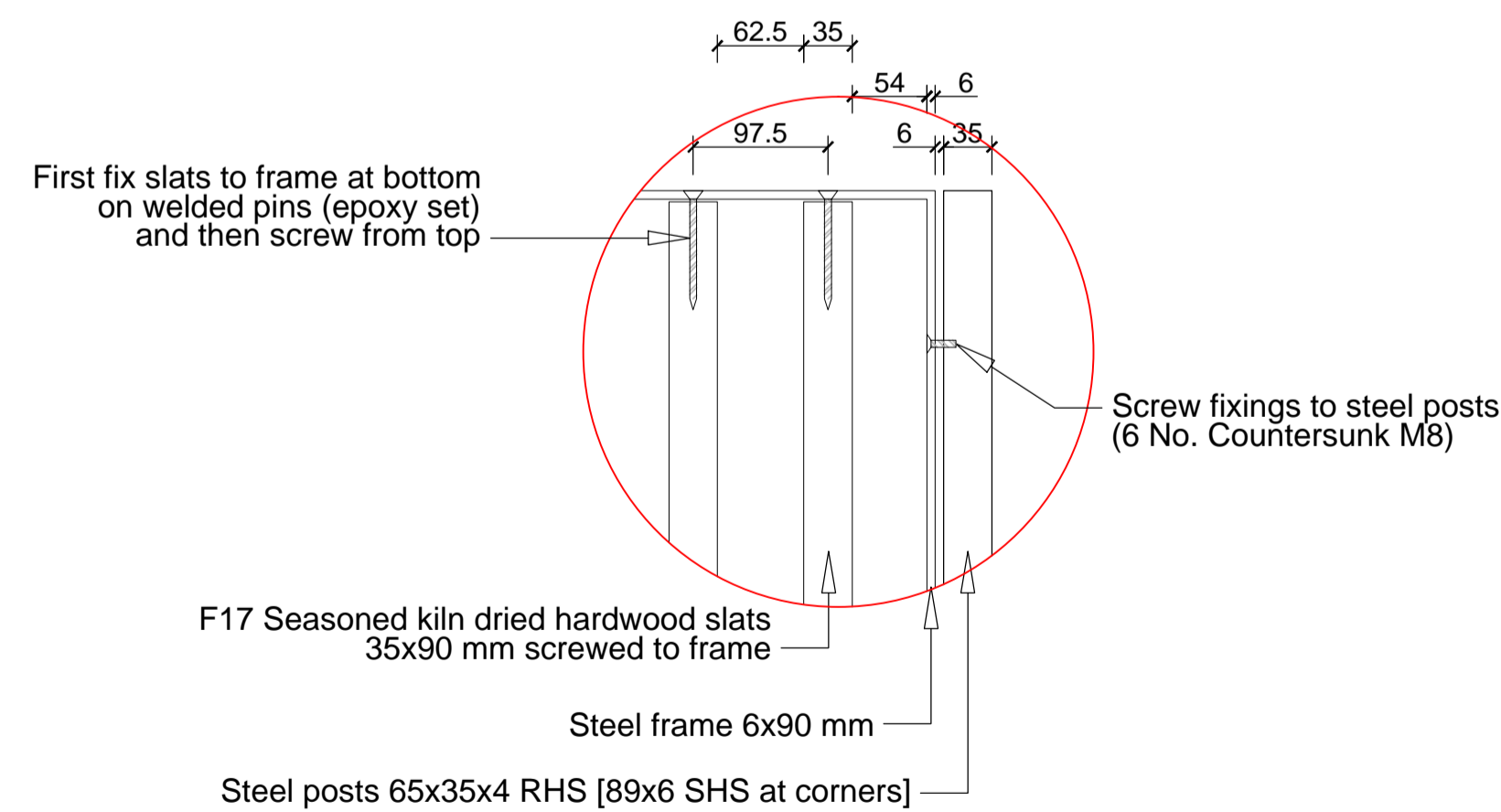


47 PANEL TYPE 2 - TIMBER SLATS SCREEN
L-013 Elevation & Top View Scale 1:10

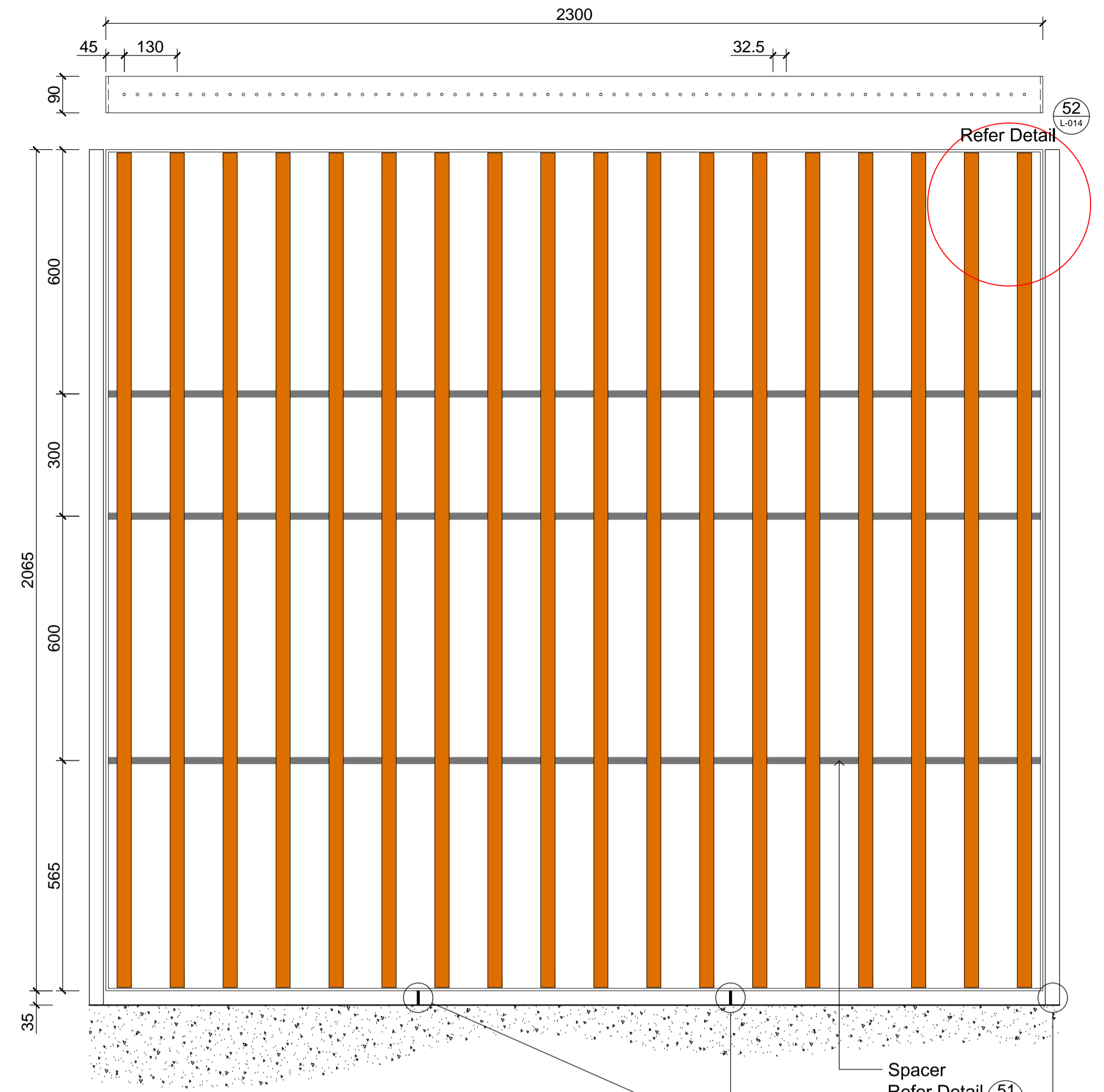
Base Intermediate Supports: 6 mm
Cleat welded to base plate bolted
into concrete footing (2m12
ChemSet 101)
Post welded to base plate
bolted into concrete footing
(2m16 ChemSet 101)



48 PANEL TYPE 2 - SPACERS - TIMBER SLATS SCREEN
L-013 Detail Dimensions Scale 1:2

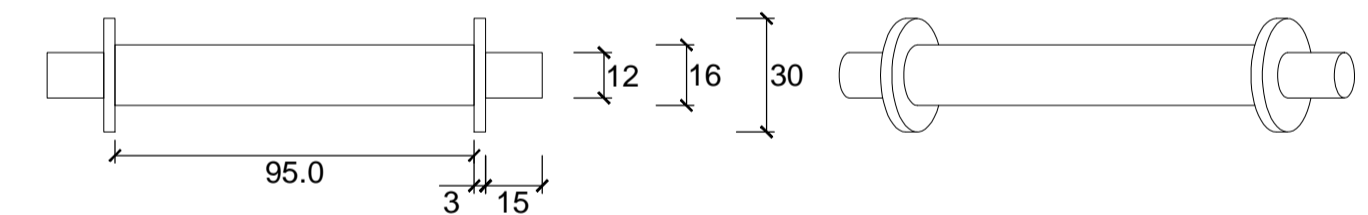


49 PANEL TYPE 2 - TIMBER SLATS SCREEN
L-013 Detail Section Scale 1:5

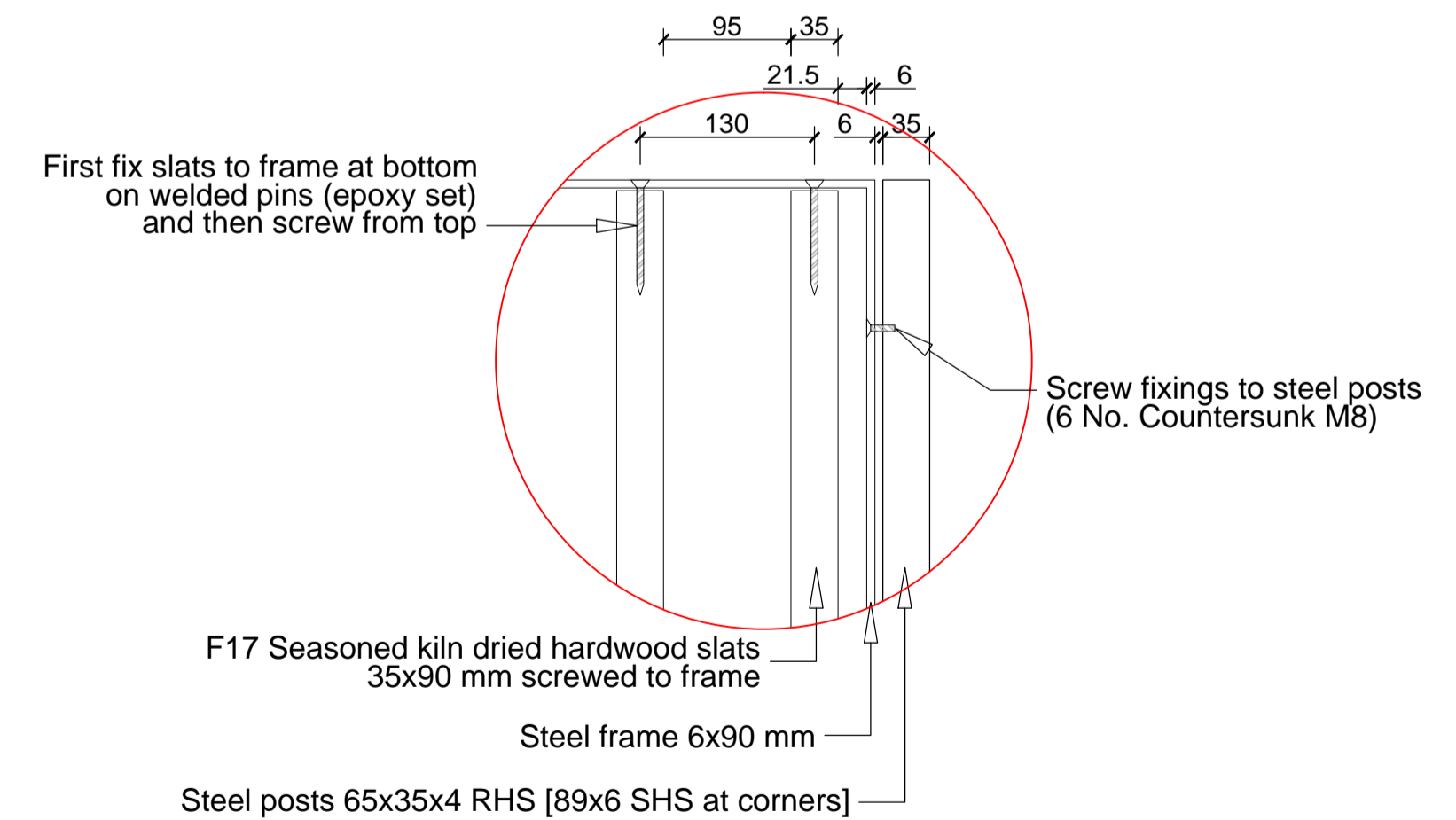


50 PANEL TYPE 3 - TIMBER SLATS SCREEN
L-013 Elevation & Top View Scale 1:10

Base Intermediate Supports: 6 mm
Cleat welded to base plate bolted
into concrete footing (2m12
ChemSet 101)
Post welded to base
plate bolted into
concrete footing (2m16
ChemSet 101)



51 PANEL TYPE 3 - SPACERS - TIMBER SLATS SCREEN
L-013 Detail Dimensions Scale 1:2



52 PANEL TYPE 3 - TIMBER SLATS SCREEN
L-013 Detail Section Scale 1:5