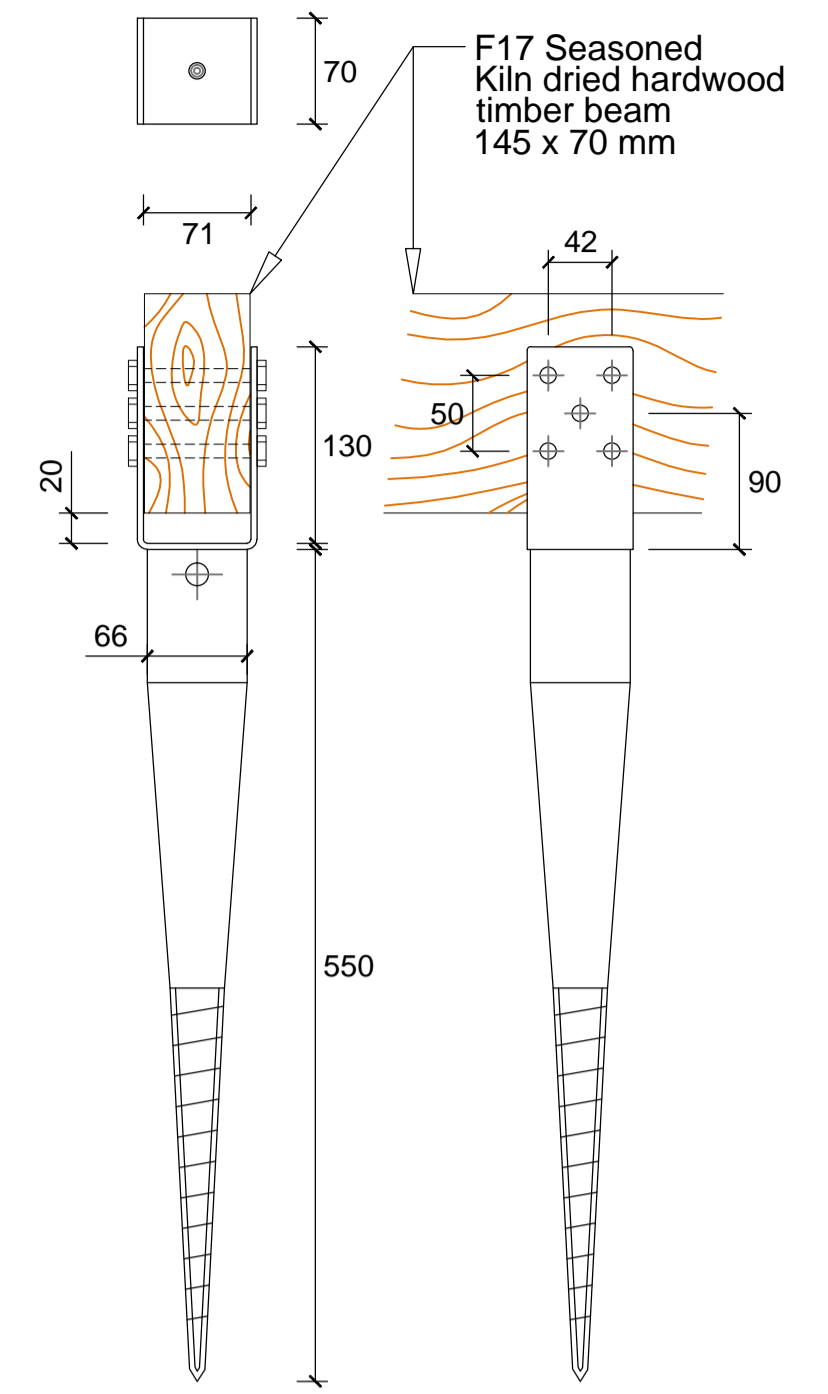
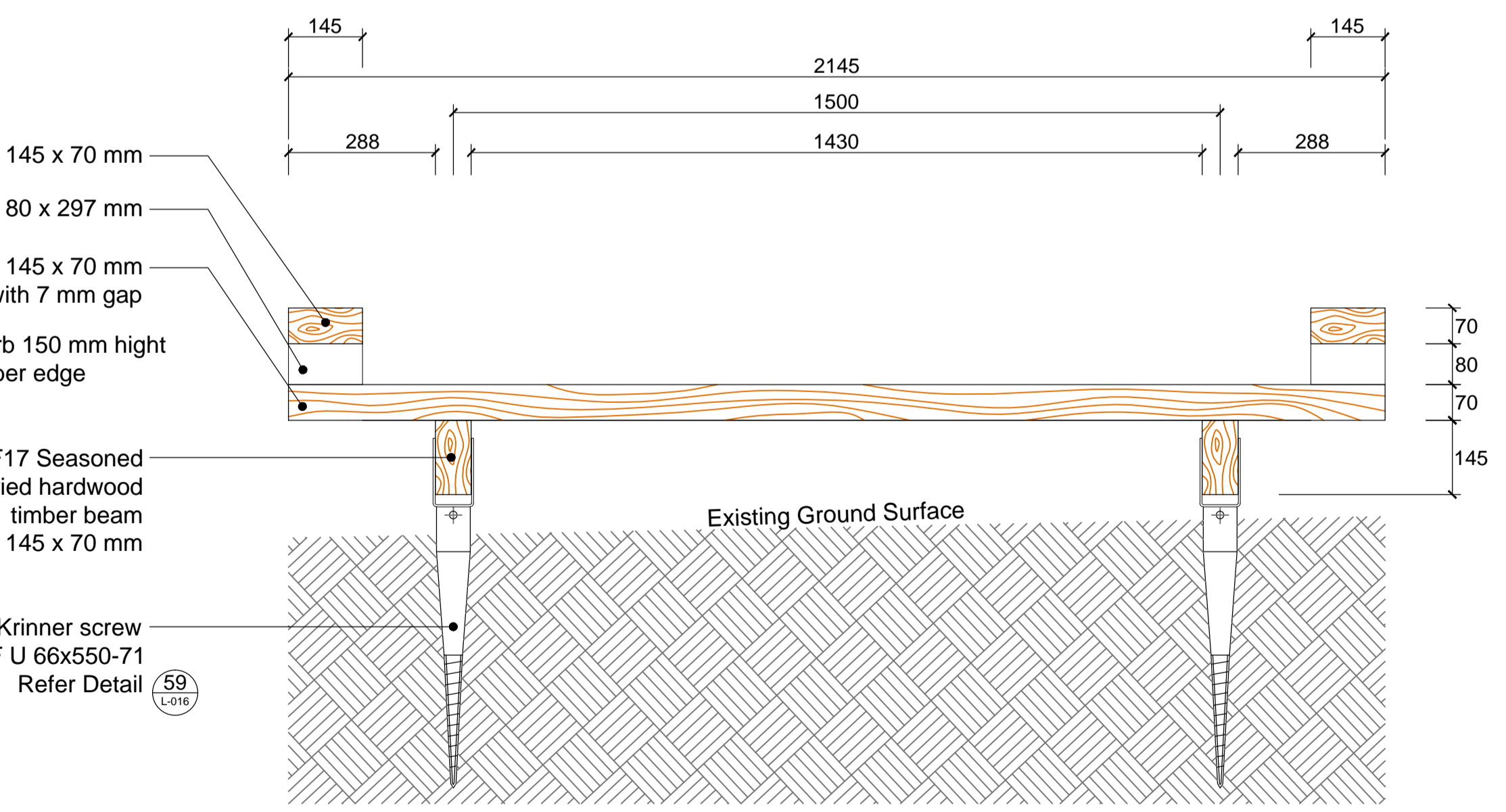
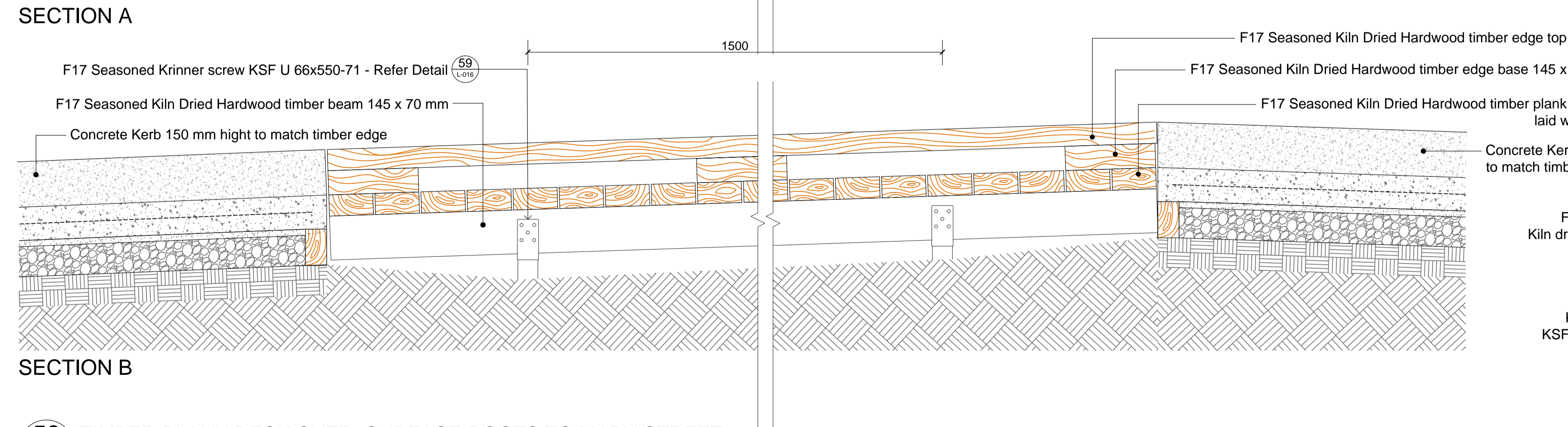
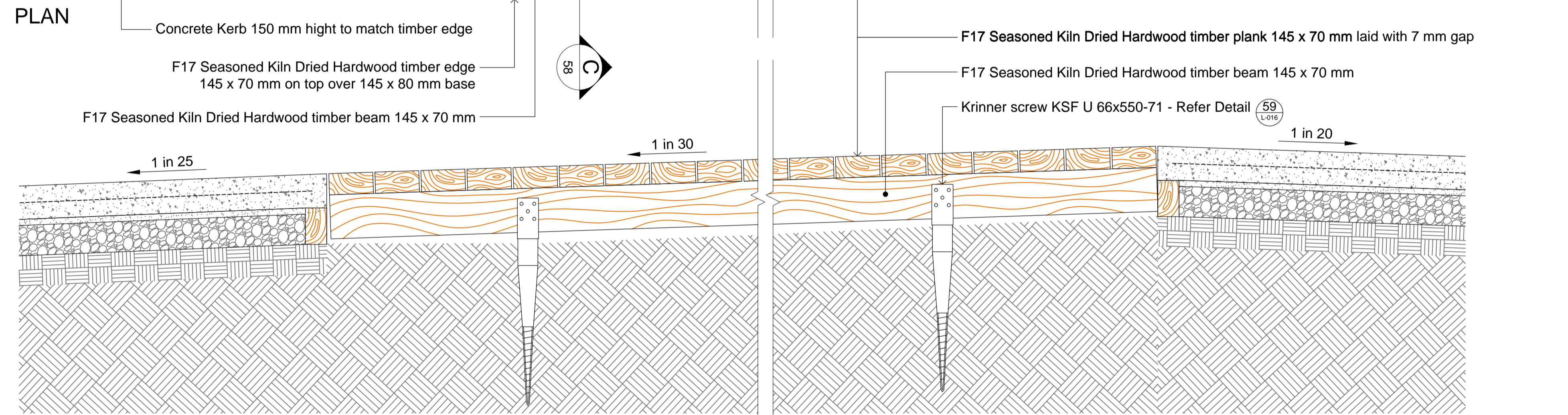
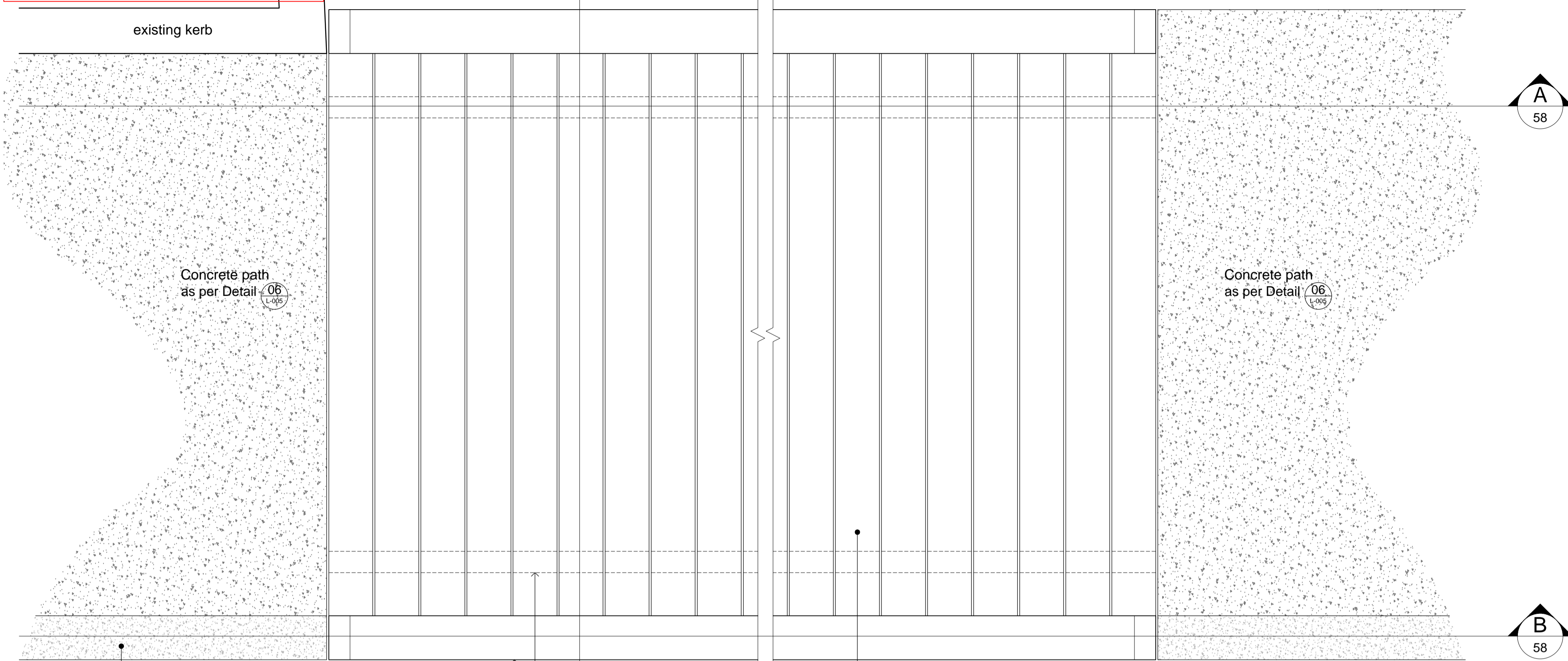


SHEET IN COLOUR



59 KRINNER SCREW - KSF U 66x550-71
L-016 Detail Scale 1:5

58 TIMBER PLANK DECK OVER SURFACE ROOTS TO MARY STREET
L-016 Detail Plan & Sections Scale 1:10

<p>LANDSCAPE ARCHITECT</p> <p>Corkery Consulting Suite 3, 38 Albany Street St Leonards NSW 2065 T (02) 9906 6636 F (02) 9906 6634 E office@corkeryconsulting.com www.corkeryconsulting.com</p>		<p>IN COLLABORATION WITH</p> <p>Dillon & Savage Architects 40 Quinton Rd, Manly, 2095 Phone: (02) 9977 3714 Fax: (02) 9977 8215 email: dsarchs@bigpond.net.au</p>		<p>CLIENT</p> <p>LEICHHARDT COUNCIL</p>		<p>DRAWING TITLE</p> <p>DETAILS SHEET 12 OF 13</p>		<p>PROJECT</p> <p>PROPOSED CHILD CARE CENTRE LEICHHARDT PARK</p>		<p>SCALE</p> <p>AS SHOWN</p>		<p>STATUS</p> <p>CONSTRUCTION ISSUE</p>	
<p>REV DATE DESCRIPTION AMEND</p> <p>0 10 20 30 40 50 60 70 80 90 100mm ON ORIGINAL</p>		<p>LANDSCAPE ARCHITECT</p> <p>EH</p> <p>Landscape Architecture Urban Design</p>		<p>CLIENT</p> <p>LEICHHARDT COUNCIL</p>		<p>DRAWING No</p> <p>L-016</p>		<p>REVISION</p> <p>A</p>		<p>STATUS</p> <p>CONSTRUCTION ISSUE</p>		<p>REVISION</p> <p>A</p>	
<p>A 29.06.15 ISSUED FOR CONSTRUCTION</p>		<p>EH</p>		<p>LEICHHARDT COUNCIL</p>		<p>PROJECT</p> <p>PROPOSED CHILD CARE CENTRE LEICHHARDT PARK</p>		<p>SCALE</p> <p>AS SHOWN</p>		<p>STATUS</p> <p>CONSTRUCTION ISSUE</p>		<p>REVISION</p> <p>A</p>	
<p>REV DATE DESCRIPTION AMEND</p>		<p>EH</p>		<p>LEICHHARDT COUNCIL</p>		<p>DRAWING No</p> <p>L-016</p>		<p>REVISION</p> <p>A</p>		<p>STATUS</p> <p>CONSTRUCTION ISSUE</p>		<p>REVISION</p> <p>A</p>	
<p>0 10 20 30 40 50 60 70 80 90 100mm ON ORIGINAL</p>		<p>EH</p>		<p>LEICHHARDT COUNCIL</p>		<p>DRAWING No</p> <p>L-016</p>		<p>REVISION</p> <p>A</p>		<p>STATUS</p> <p>CONSTRUCTION ISSUE</p>		<p>REVISION</p> <p>A</p>	