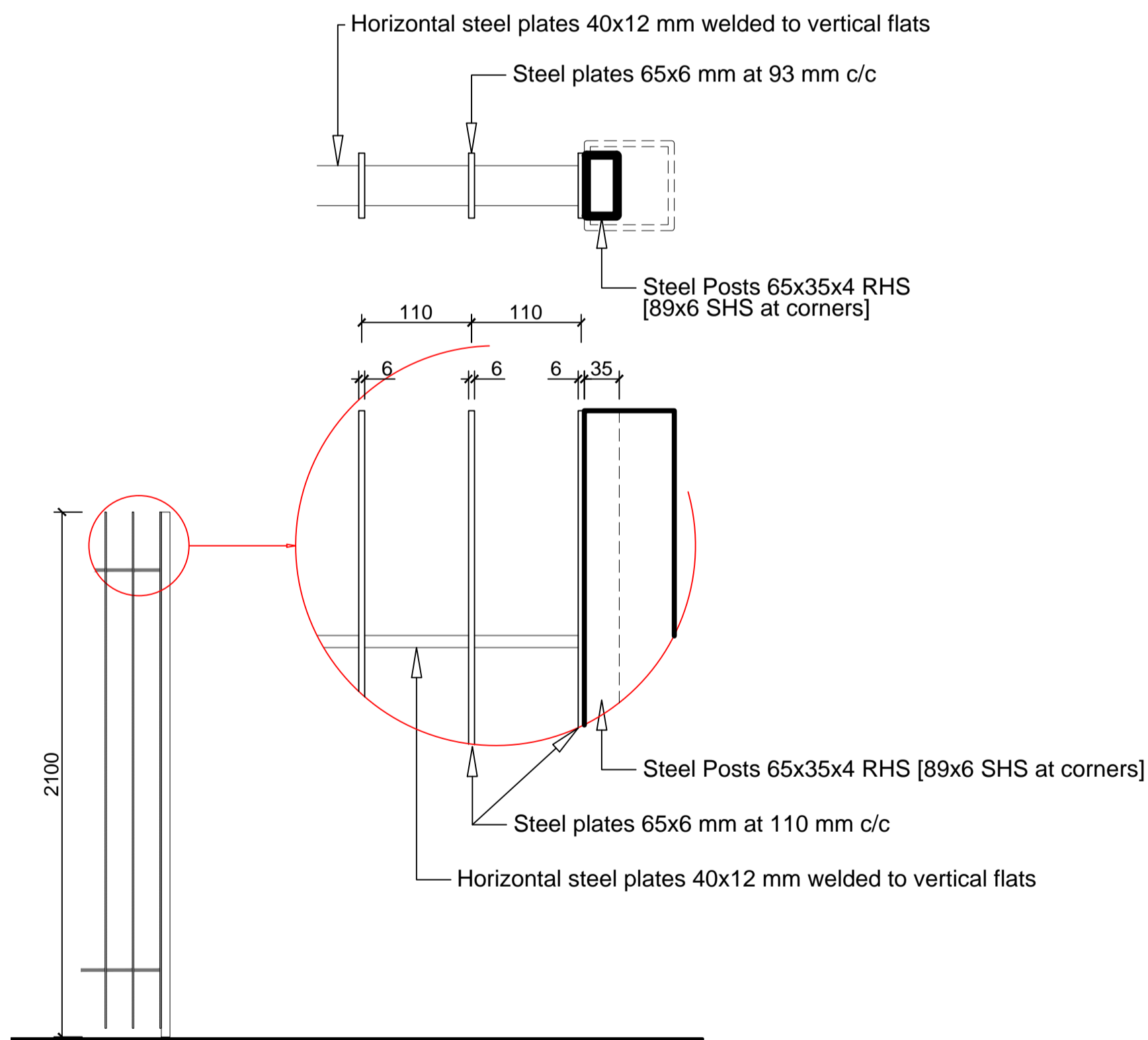
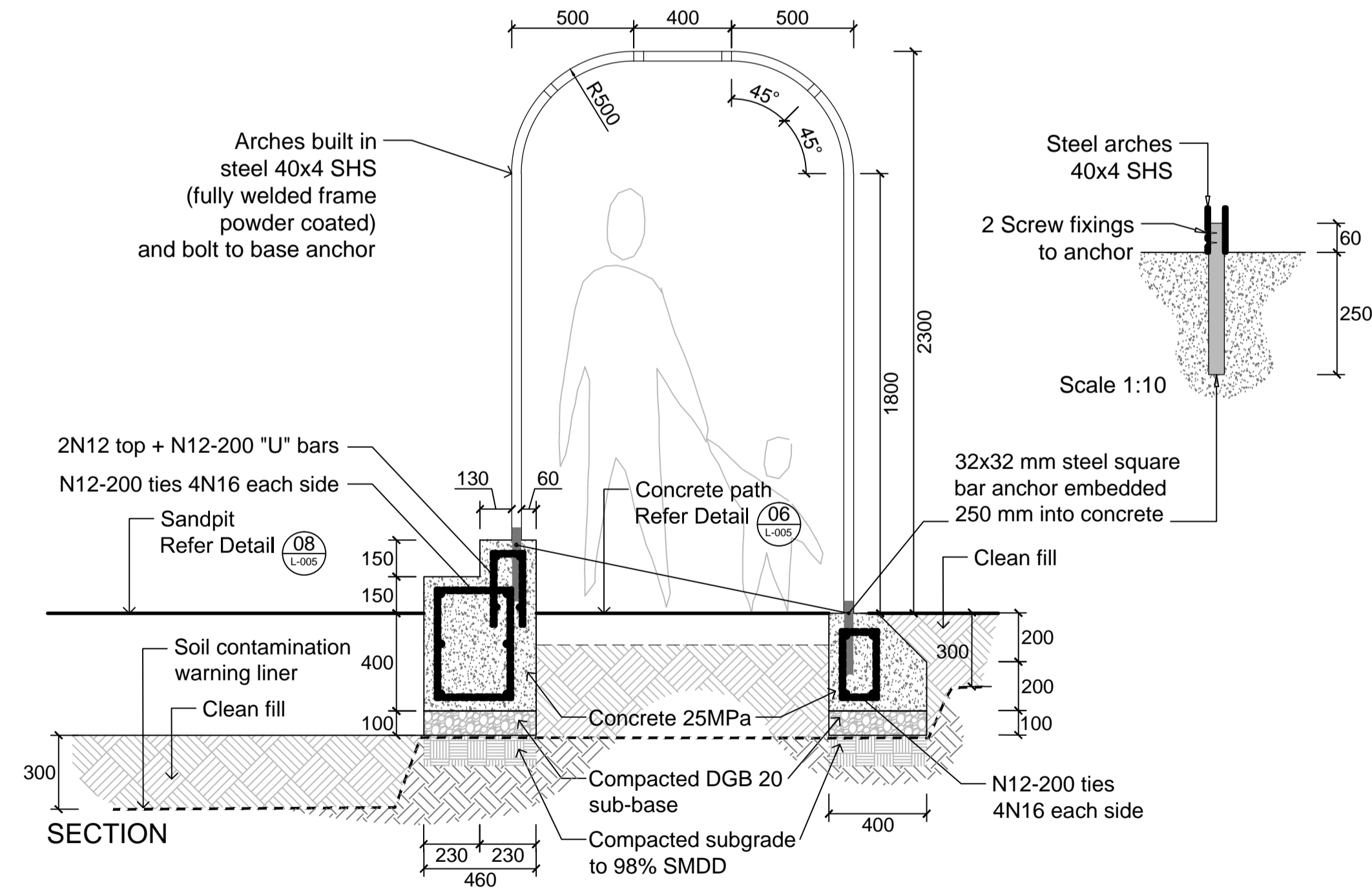
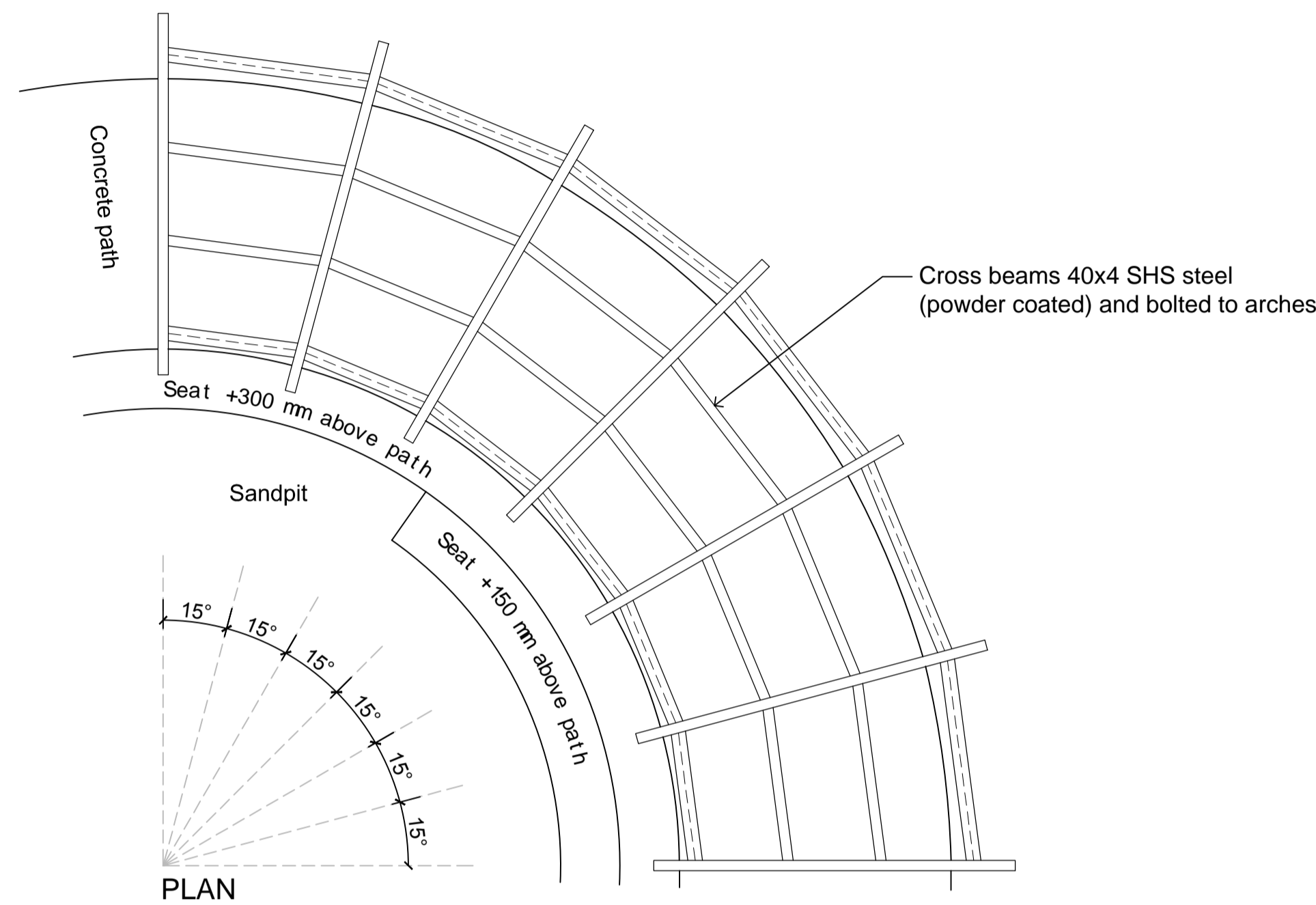


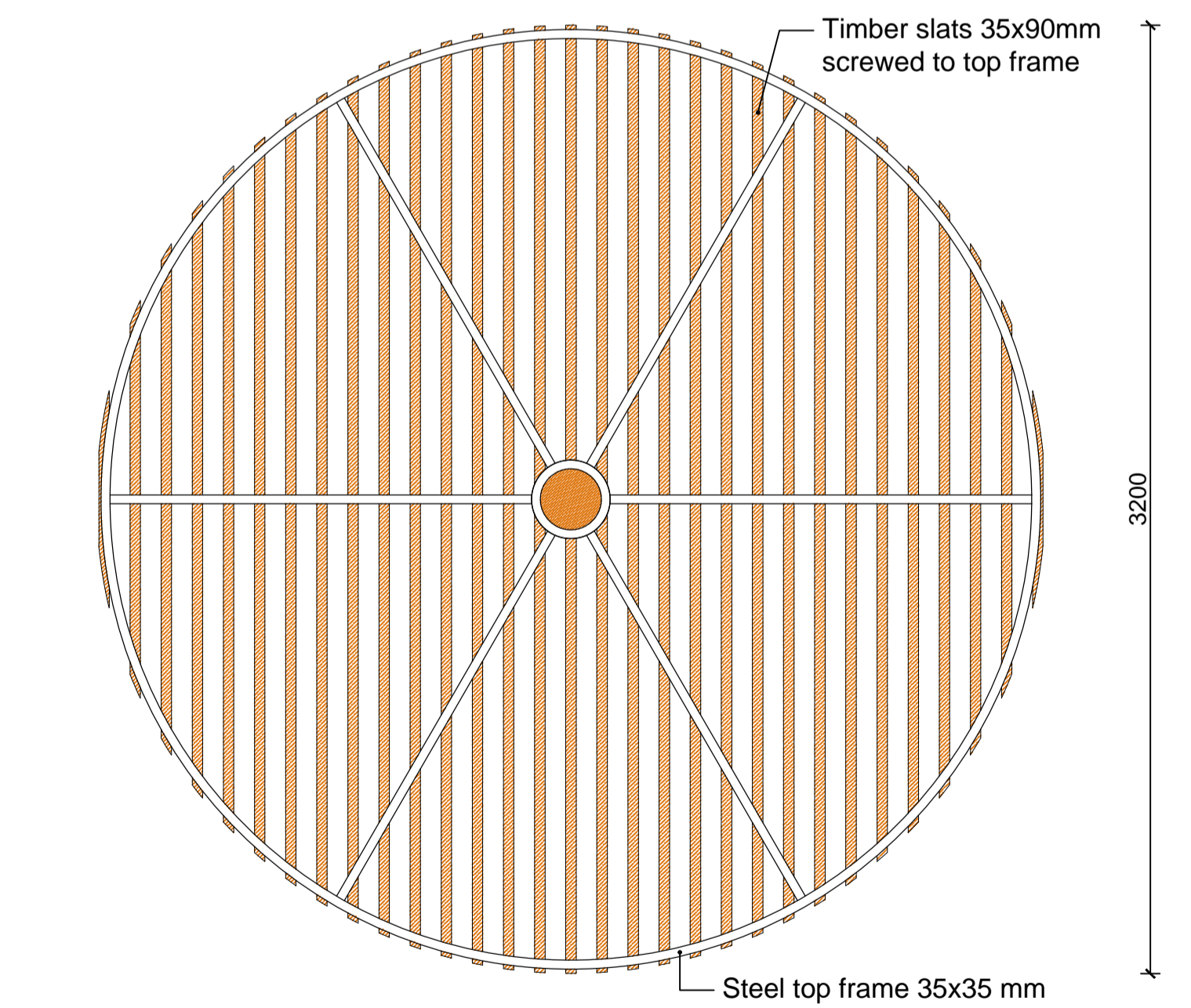
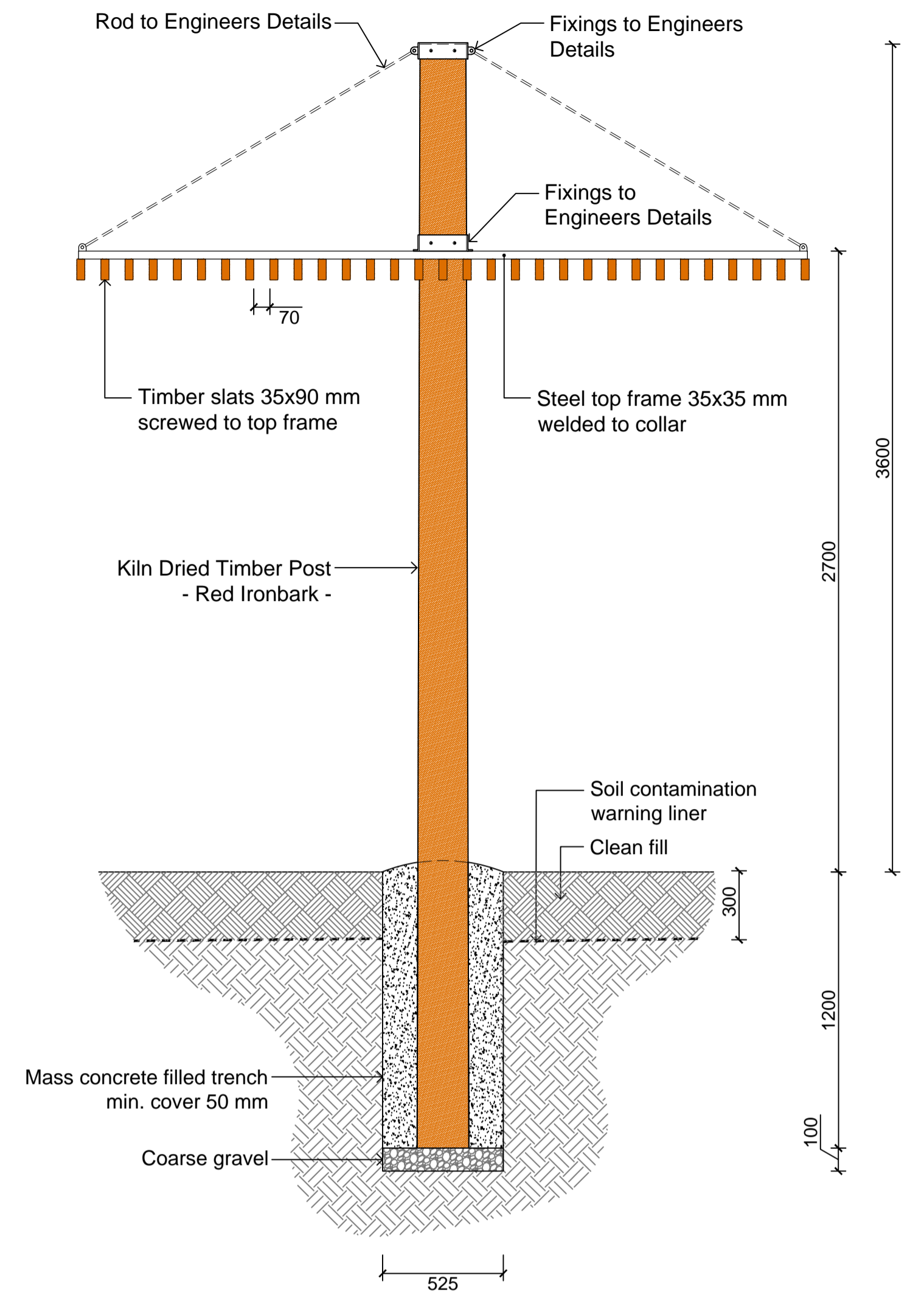
60 PERIMETER SECURITY FENCE
L-017 Detailed Elevation Scale 1:20



61 PERIMETER SECURITY FENCE
L-017 Detailed Top View & Section Scale 1:5



62 ARBOR + SANDPIT EDGE/SEAT
L-017 Detailed Plan + Section Scale 1:20



63 TIMBER SLATS SHADE
L-017 Detailed Section-Elevation + Plan Scale 1:20

LANDSCAPE ARCHITECT		IN COLLABORATION WITH		CLIENT		DRAWING TITLE		PROJECT		SCALE		STATUS		
 Suite 3, 38 Albany Street St Leonards NSW 2065 T (02) 9906 6636 F (02) 9906 6634 E office@corkeryconsulting.com www.corkeryconsulting.com		Dillon & Savage Architects 40 Quinton Rd, Manly, 2095 Phone: (02) 9977 3714 Fax: (02) 9977 8215 email: dsarchs@bigpond.net.au		 LEICHHARDT COUNCIL		DETAILS SHEET 13 OF 13		PROPOSED CHILD CARE CENTRE LEICHHARDT PARK		AS SHOWN		CONSTRUCTION ISSUE		
B 24.11.15 AMENDED FOR CONSTRUCTION A 29.06.15 ISSUED FOR CONSTRUCTION	TB EH AMEND	ABN 61 003 785 153 Landscape Architecture Urban Design								NORTH 	DRAWN BY EH ORIGINAL MEDIA SIZE A1	APPROVED BY NC PHASE IFC	DRAWING No L-017	REVISION B
0 10 20 30 40 50 60 70 80 90 100mm ON ORIGINAL													PLOT DATE: 23-Nov-15, 5:44 PM	