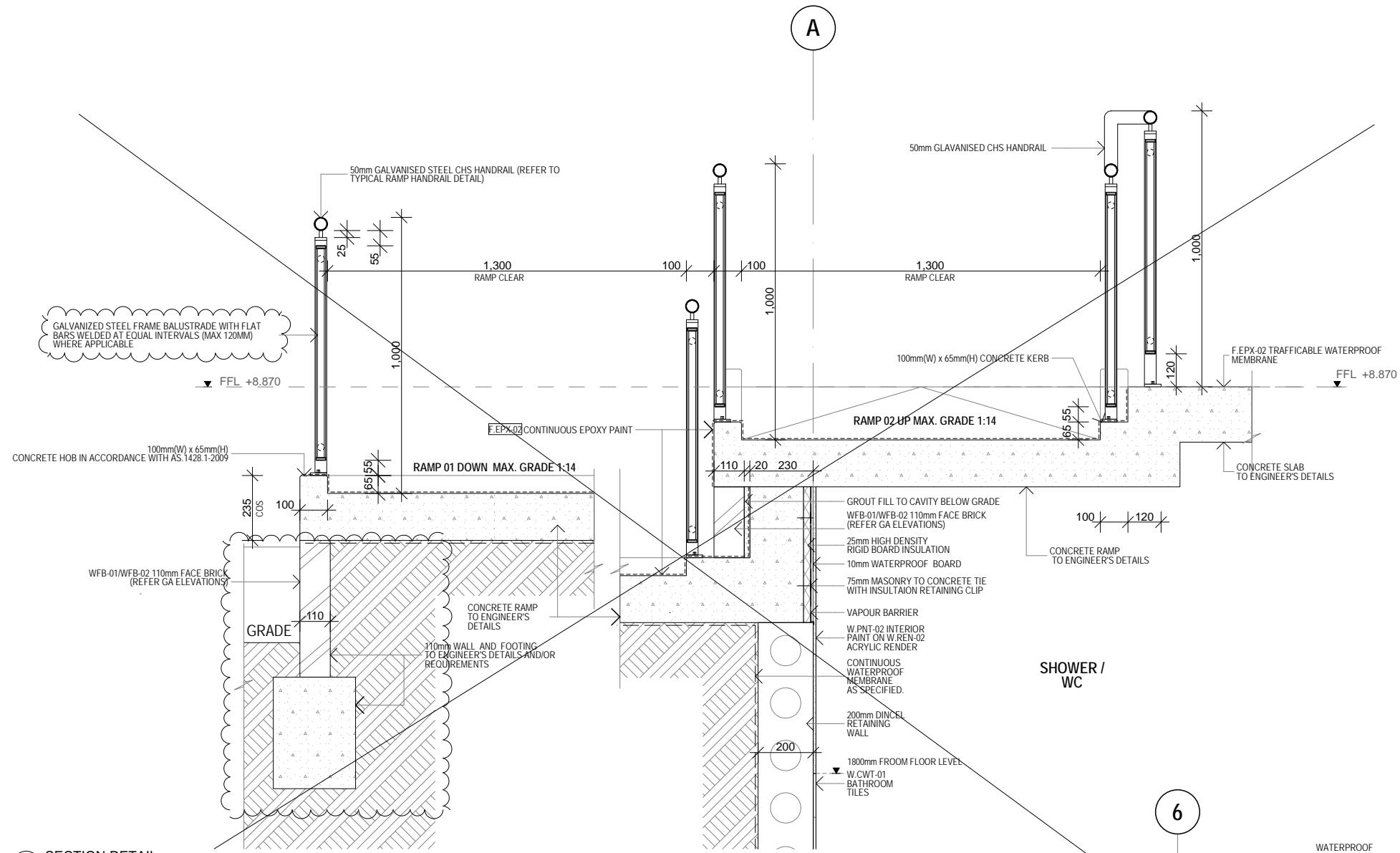
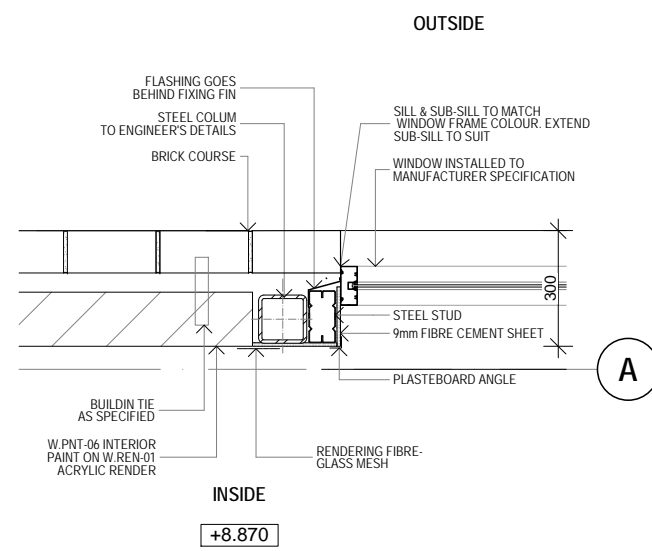


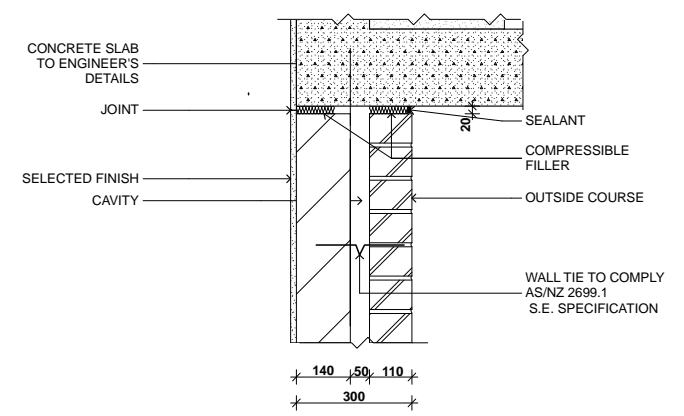
LEGEND	TO BE READ IN CONJUNCTION WITH TN 1100 SCHEDULE OF FIXTURES, MATERIALS, & FINISHES.
	190mm - R.C. BLOCK WALL TO STRUCTURAL ENGINEERS SPECIFICATION
	140mm - SOLID BLOCK WALL
	300mm - 110 FACE BRICK / 50 CAVITY / 140 SOLID BLOCK CAVITY WALL
	200mm - DINCEL WALL
	360mm - 110 FACE BRICK / 50 CAVITY / 200 DINCEL RC CAVITY WALL
	HMR MDF SHELVING
	COLORBOND ROOF SHEETING
	MOISTURE RESISTANT INTERIOR PAINT
	EXTERIOR PAINT FINISHED CEMENT RENDER
	EXTERIOR PAINT FINISHED F.C. SHEET
	ACRYLIC PRIMER / SEALER / UNDERCOAT
	FACE BRICK LIGHT COLOUR
	FACE BRICK DARK COLOUR
	CARPET TILES
	TACTILE INDICATOR IN ACCORDANCE WITH AS 1428.4.1-2009
	GUTTER
	BATHROOM TILES
	EPOXY FLOOR
	EPOXY TRAFFICABLE WATERPROOF MEMBRANE
(COS)	CONFIRM ON SITE
COL	CHS COLUMN
DB	DISTRIBUTION BOARD - REFER CARDNO ELEC. DRAWINGS
DP	DOWNPIPE-REFER FINISHES SCHEDULE R.DP-01
FW	FLOOR WASTE
RWH	RAINWATER HEAD
SC	NEW STEEL COLUMN TO STRUCTURAL ENGINEERS DETAILS
VP	VENT PIPE TO HYDRAULIC ENGINEERS SPEC.
+2.07	PROPOSED LEVELS - CONFIRM ON SITE
ESB	ELECTRICAL SWITCHBOARD(REFER ELECTRICAL ENGINEER DWGS)
MDP	MAIN DISTRIBUTION FRAME(REFER ELECTRICAL ENGINEER DWGS)
TMV	THERMOSTATIC MIXING VALVE (REFER HYDRAULIC ENGINEER DWGS)
SSK	INBUILT STAINLESS STEEL DOUBLE SINK(REFER TO FIXTURE SCHEDULE S.BAS-01)



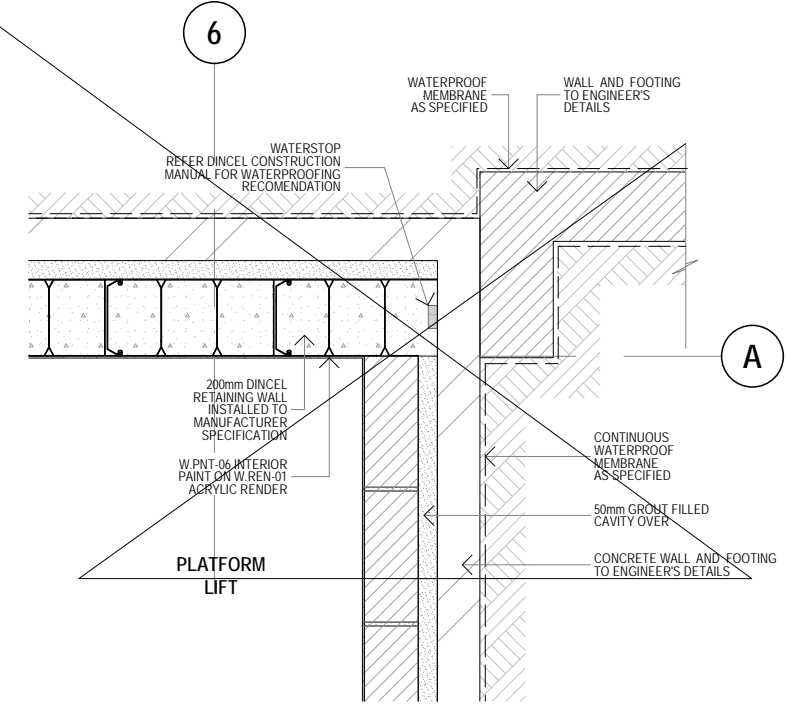
03 SECTION DETAIL 1:10



01 DETAIL 1:10



04 DETAIL 1:10



02 DETAIL 1:10

PROJECT:
COMMUNITY FACILITY AND AMENITIES BUILDING

FOR:
BRIARS SPORTING CLUB

AT:
ROTHWELL PARK, CONCORD, NSW

This drawing is protected under the Copyright Act 1968 and is the copyright of Figgis and Jefferson Architects. Do not reproduce, modify or transmit this drawing without the permission of Figgis and Jefferson Architects.

Do not scale this drawing. Use figured dimensions only. Confirm all dimensions and levels on site prior to commencement of any work, preparation of shop drawings or fabrication of components.

DRAWING TITLE:
DETAILS - SHEET 2

ARCHITECT:
SF

DRAWN:
DR/PM

LAST PRINTED:
20/12/2016

DRAWING NO.:
3557 TN 441

ISSUE:
F

SCALE: 0m 1 2 3 4 5 @A1

Figgis + Jefferson Pty Ltd 220 Willoughby Road Crows Nest NSW 2055
 T 02 9438 5555 F 02 9439 5163 E studio@figgis.com.au www.figgis.com.au
 ACP 02 825 505 NSW Architects Registration Board Nominated Architect Stephen Figgis 1985
 figgis + jefferson architects