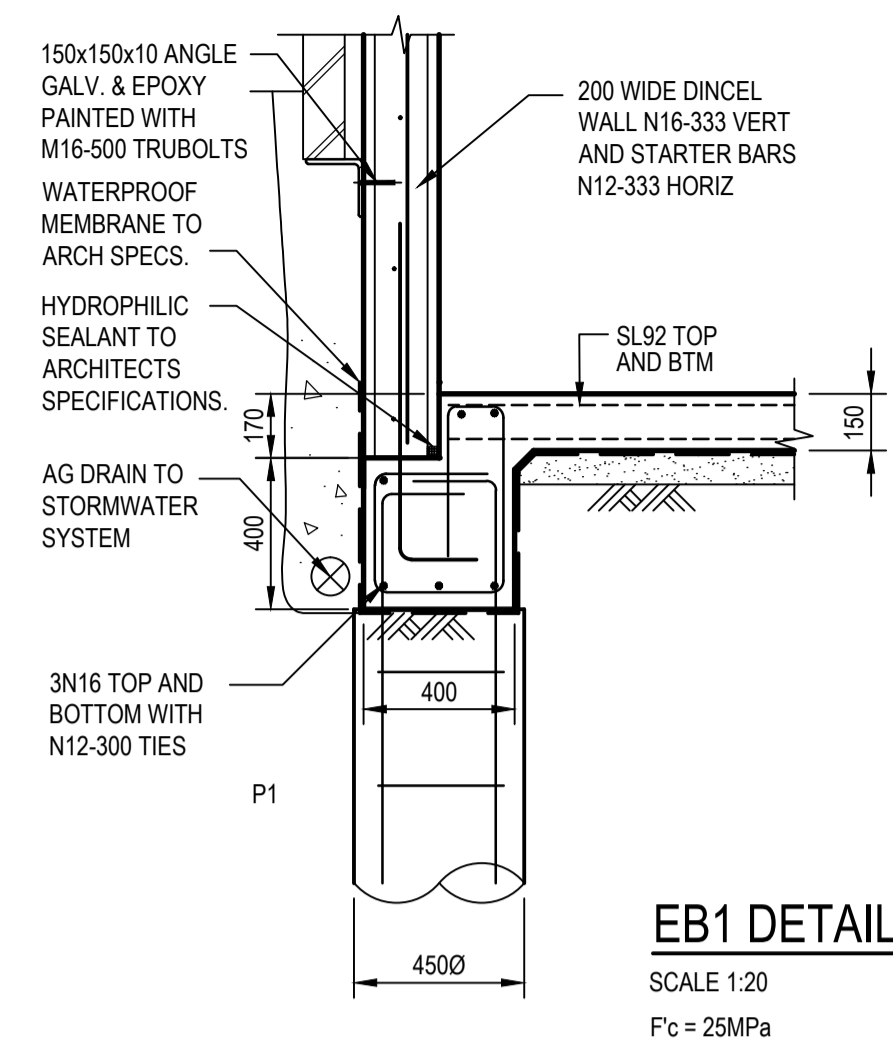
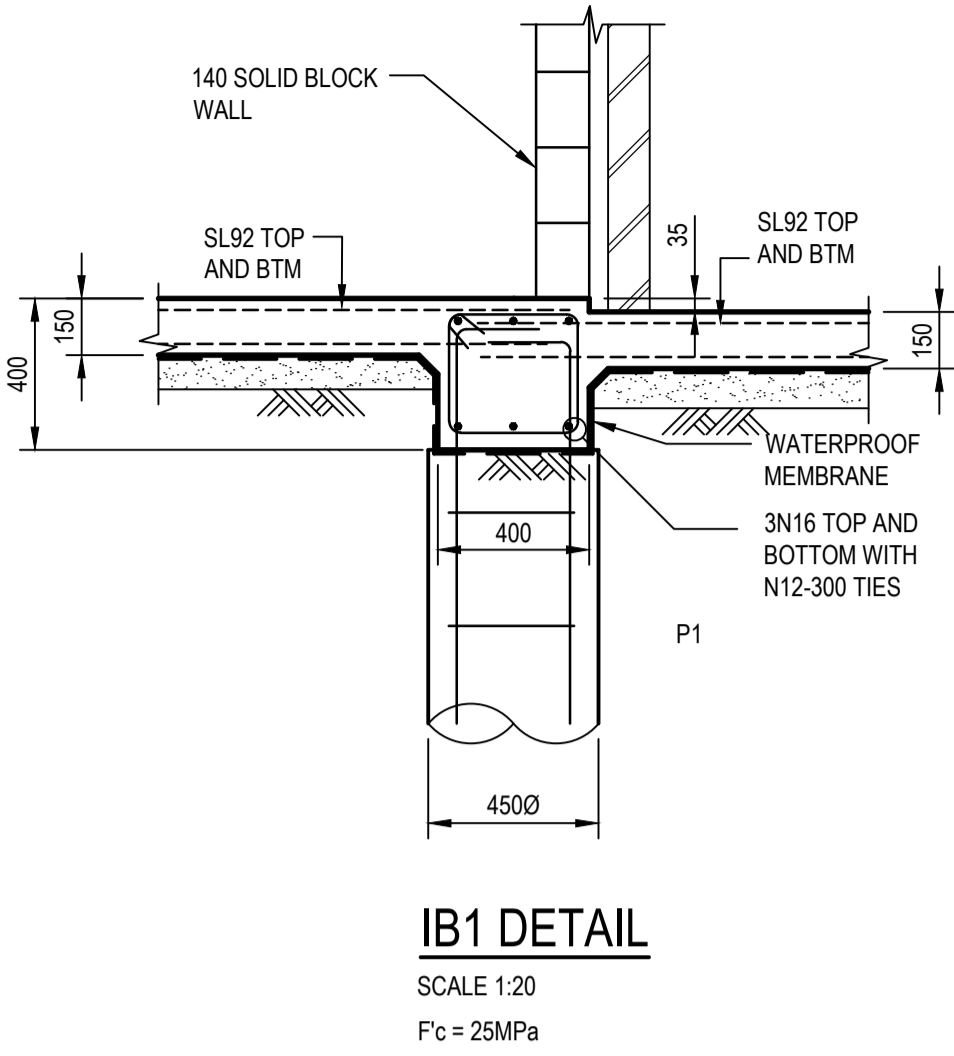


LOWER GROUND FLOOR PLAN
SCALE 1:100

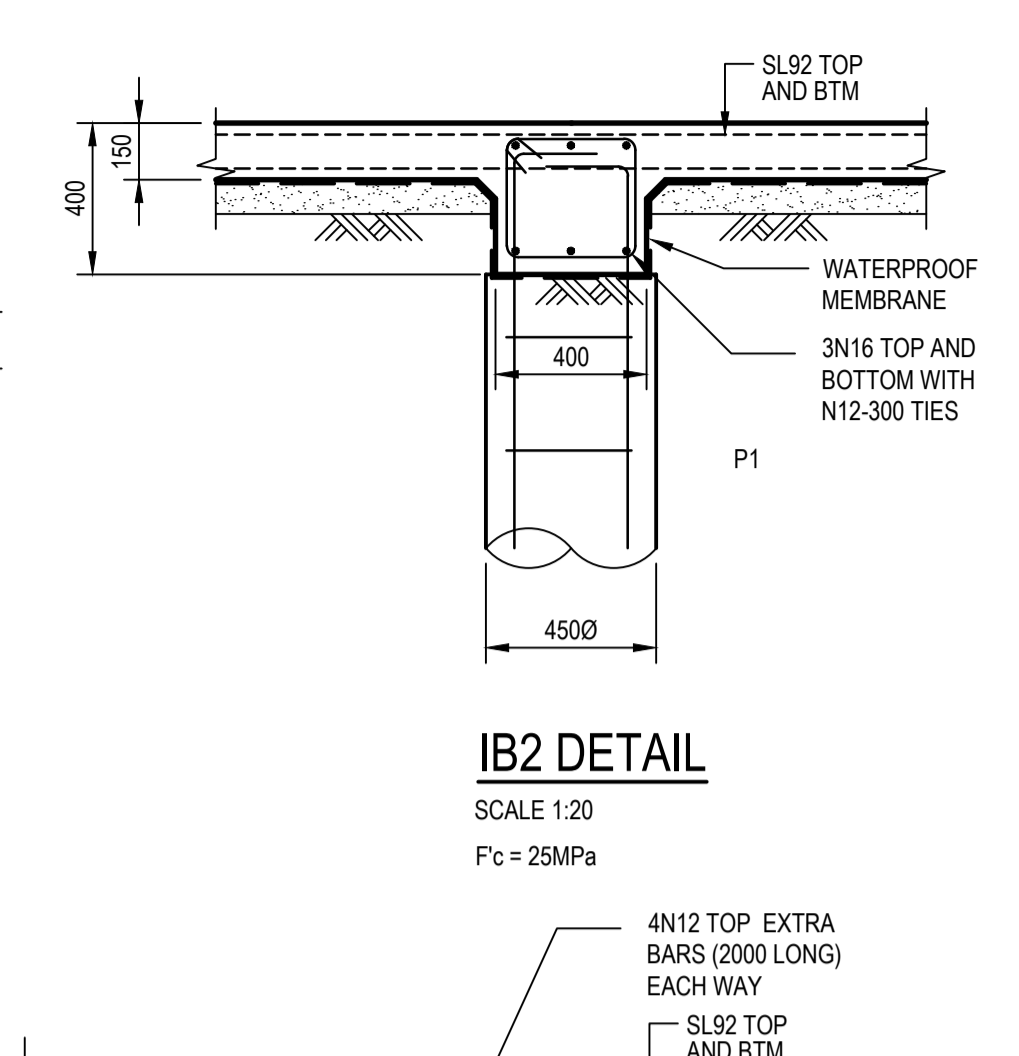
- 150 THICK SLAB REINFORCED WITH SL92 MESH TOP AND BOTTOM THROUGHOUT, ALL LAID OVER A WATERPROOF MEMBRANE 40 CRUSHED ROCK AND COMPACTED SUBGRADE.
- 200 THICK LIFT BASE WITH N12-250 EACH WAY TOP AND BOTTOM.
- STRIP FOOTING SF1 --- 400x400
- CONCRETE PIER P1 --- 450Ø SOCKETED 600MIN. INTO 400KPa STIFF CLAY MINIMUM LENGTH 1200mm.
- 'A' --- DENOTES 4N12-200 (2000 LONG) TOP EXTRA BARS TYPICAL OVER BORED PIERS.
- 200 WIDE DINCEN WALL REINFORCED WITH N16-333 VERTICAL AND N12-333 HORIZONTAL
- 140 WIDE BLOCK WALL REINFORCED WITH N16-400 VERTICAL AND N12-400 HORIZONTAL
- 190 WIDE BLOCK WALL REINFORCED WITH N16-400 VERTICAL AND N12-400 HORIZONTAL
- 140 SOLID BLOCK WALL
- 110 BRICK WALL



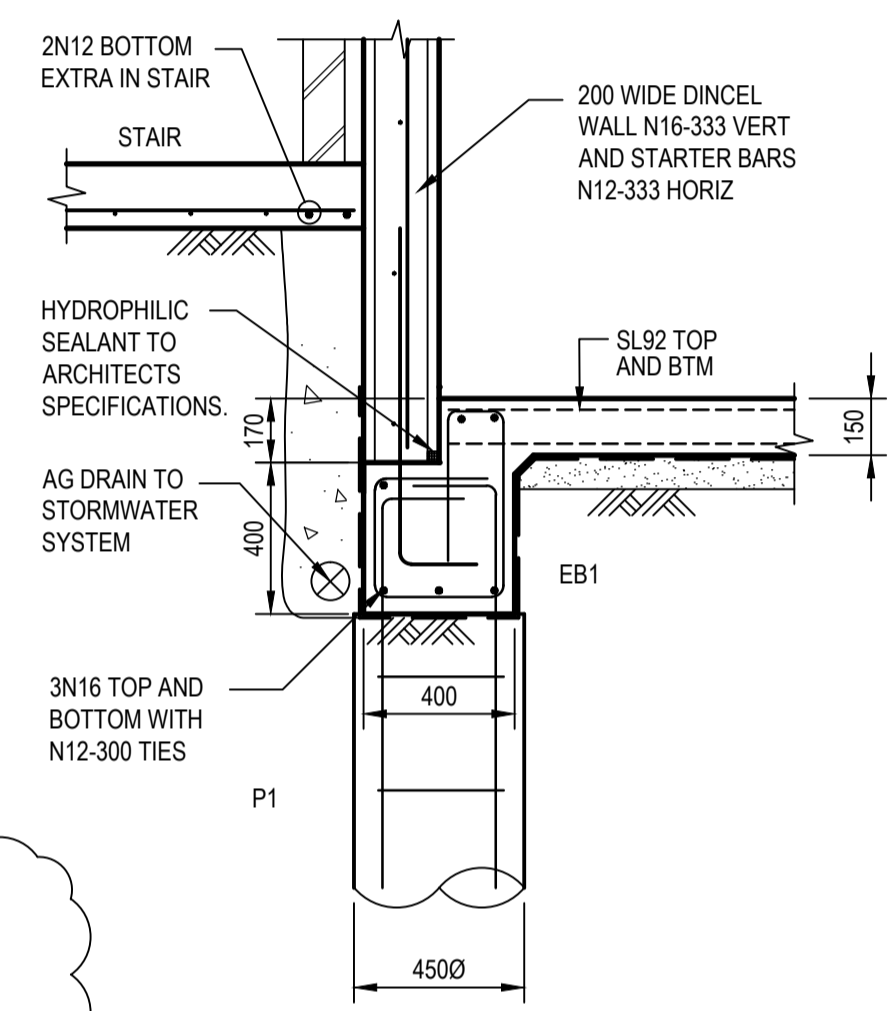
EB1 DETAIL
SCALE 1:20
F_c = 25MPa



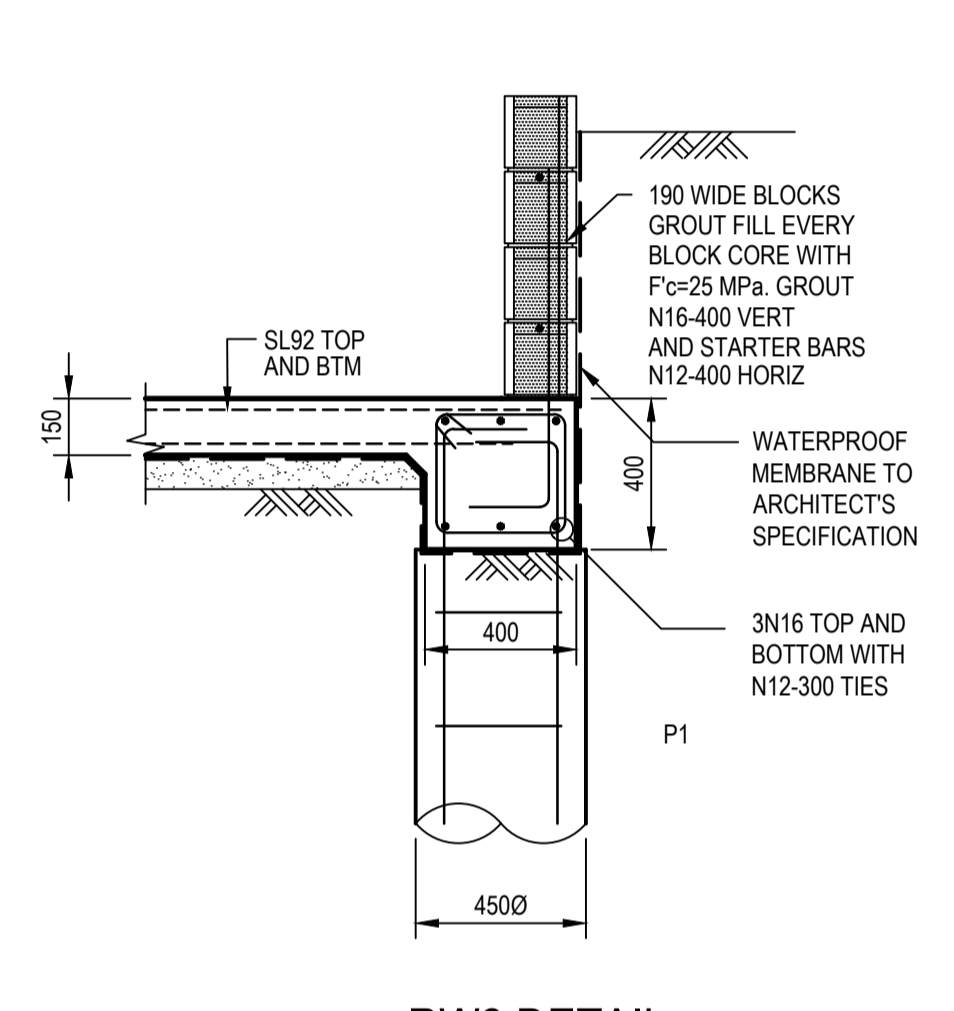
IB1 DETAIL
SCALE 1:20
F_c = 25MPa



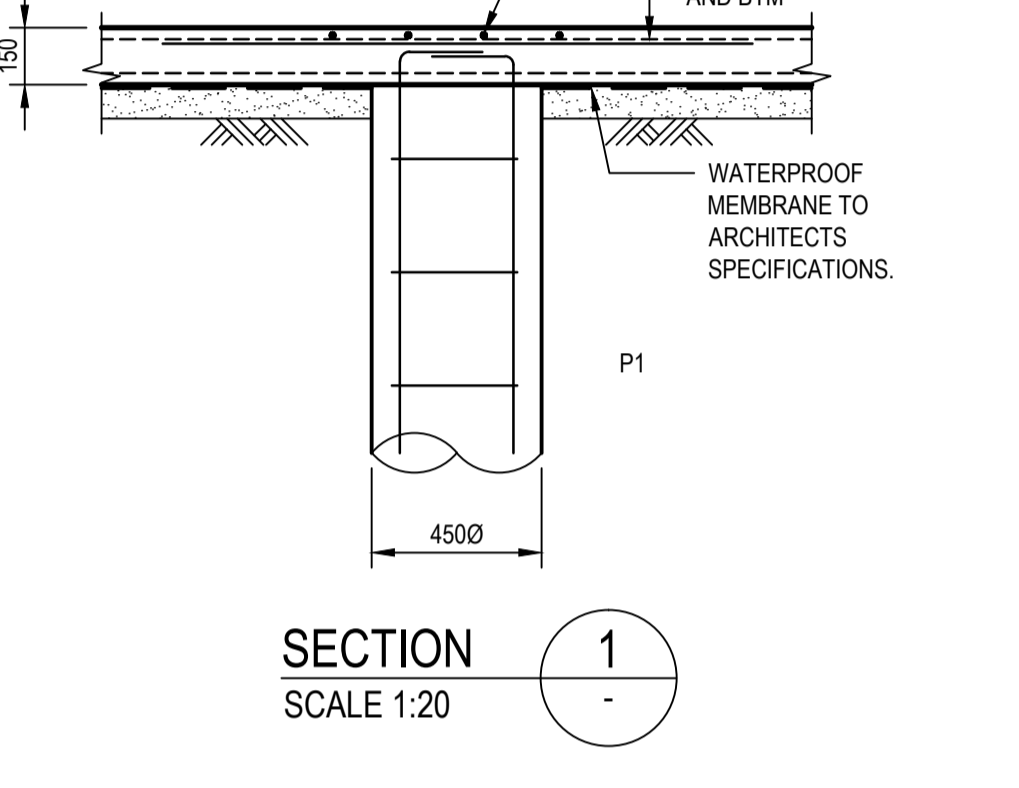
IB2 DETAIL
SCALE 1:20
F_c = 25MPa



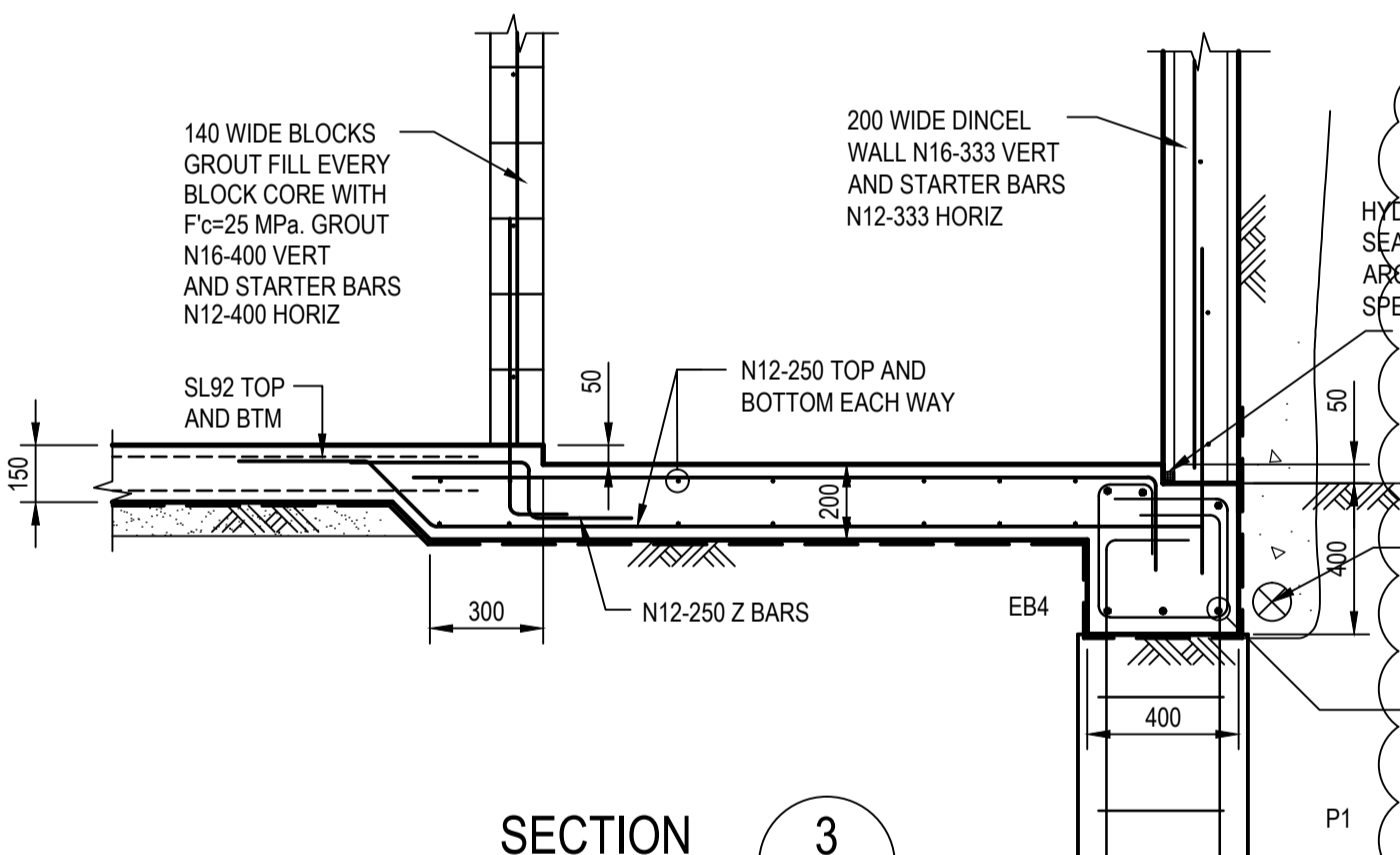
SECTION 5
SCALE 1:20



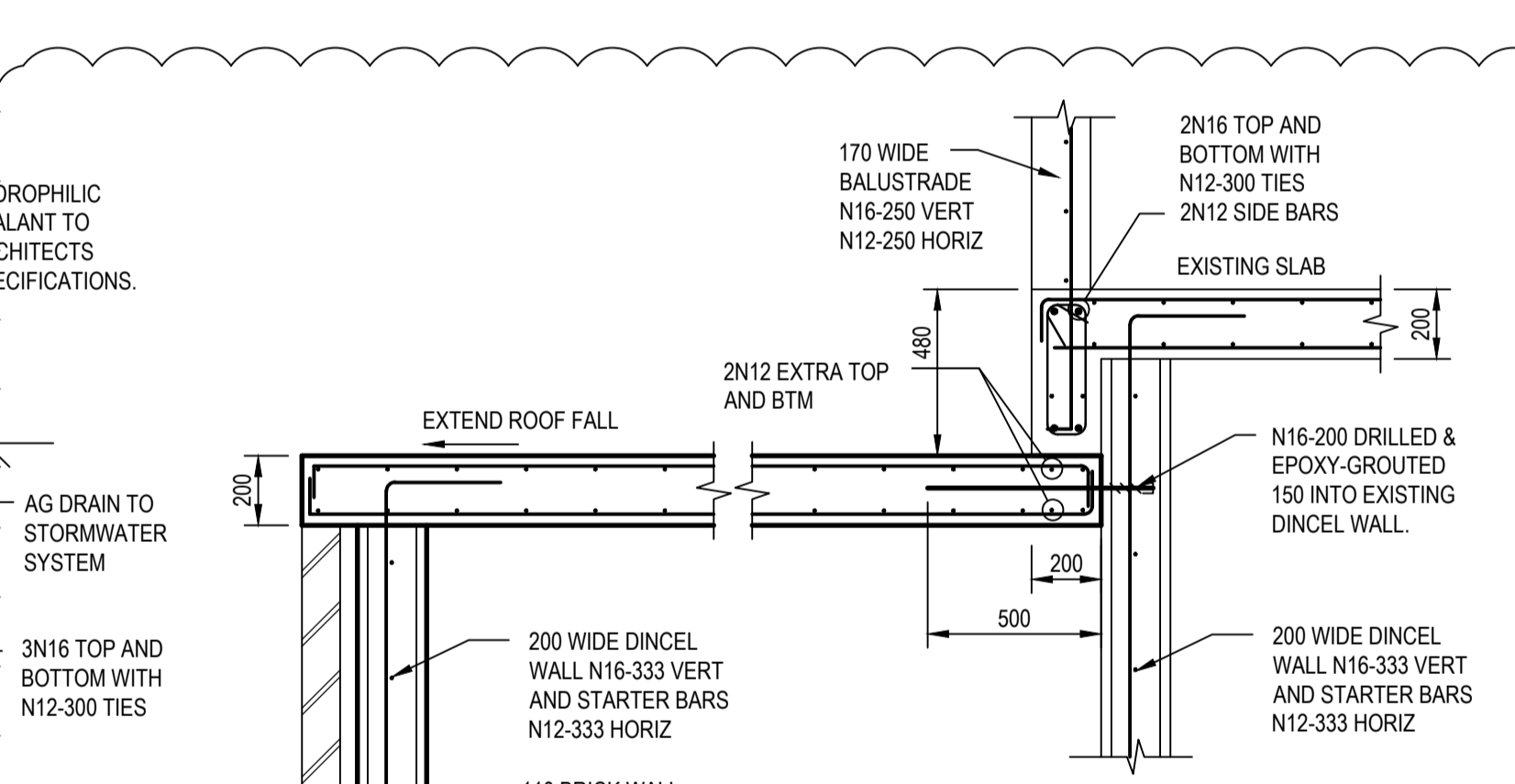
RW2 DETAIL
SCALE 1:20
F_c = 25MPa



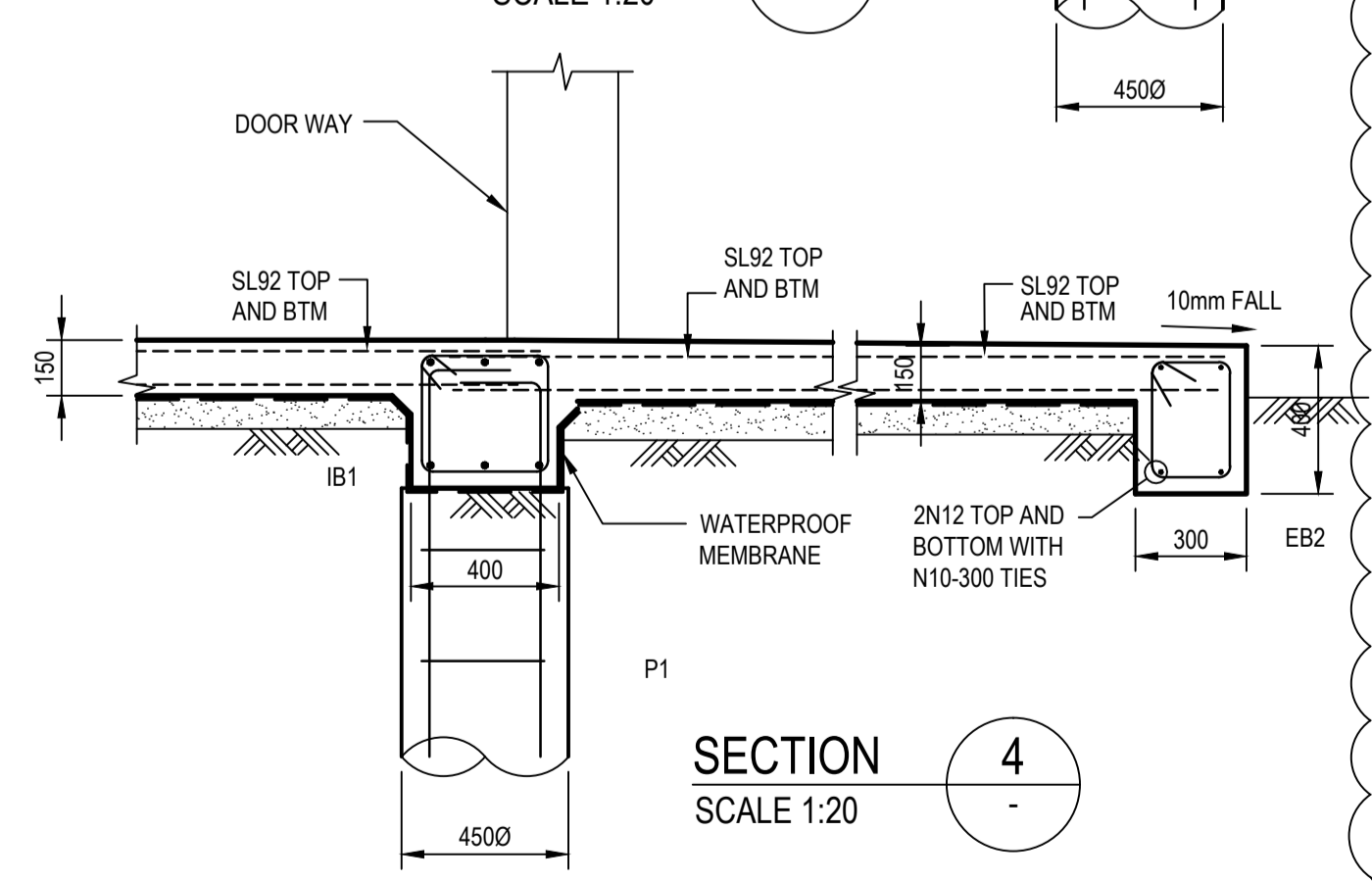
SECTION 1
SCALE 1:20



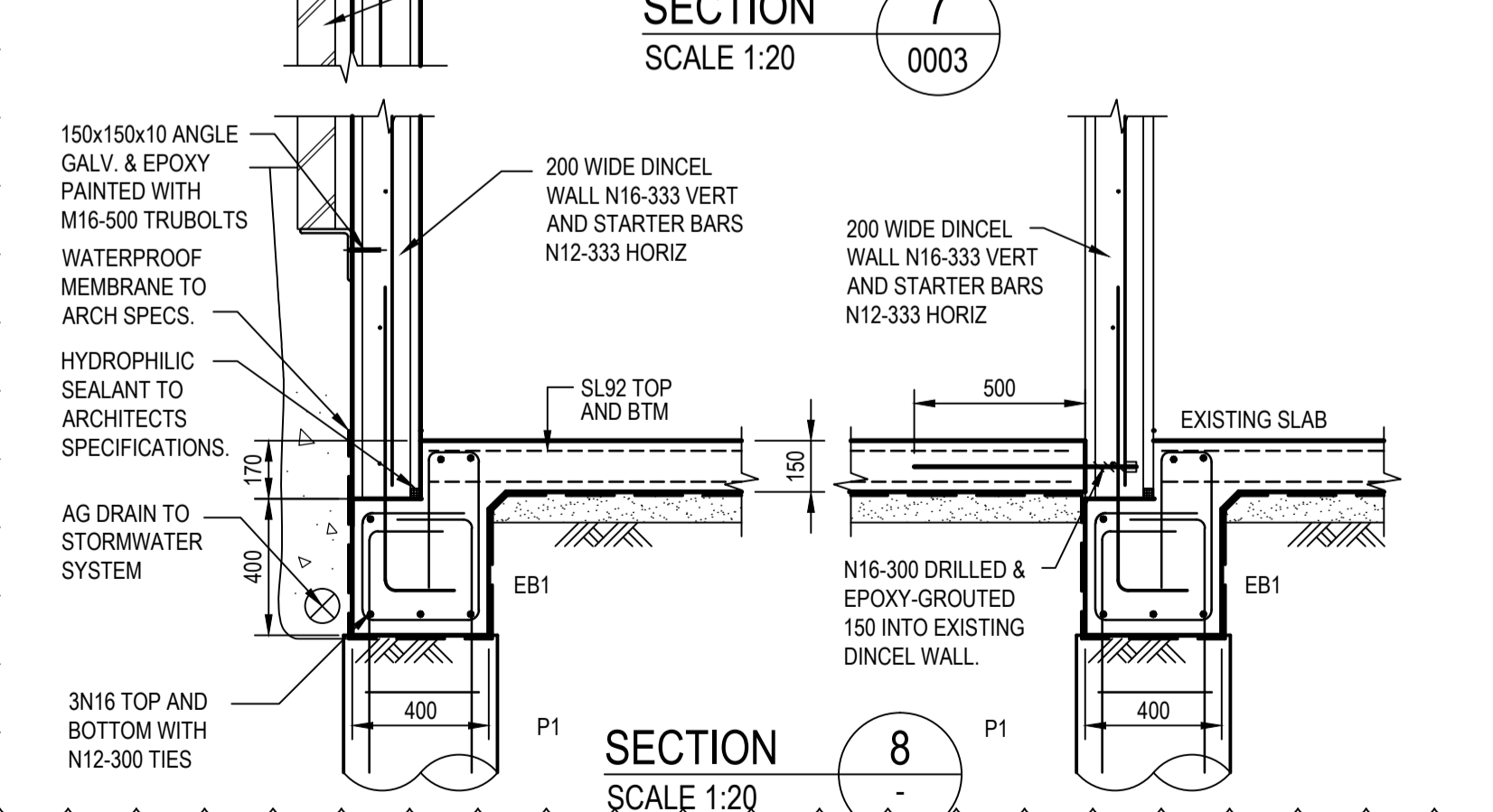
SECTION 3
SCALE 1:20



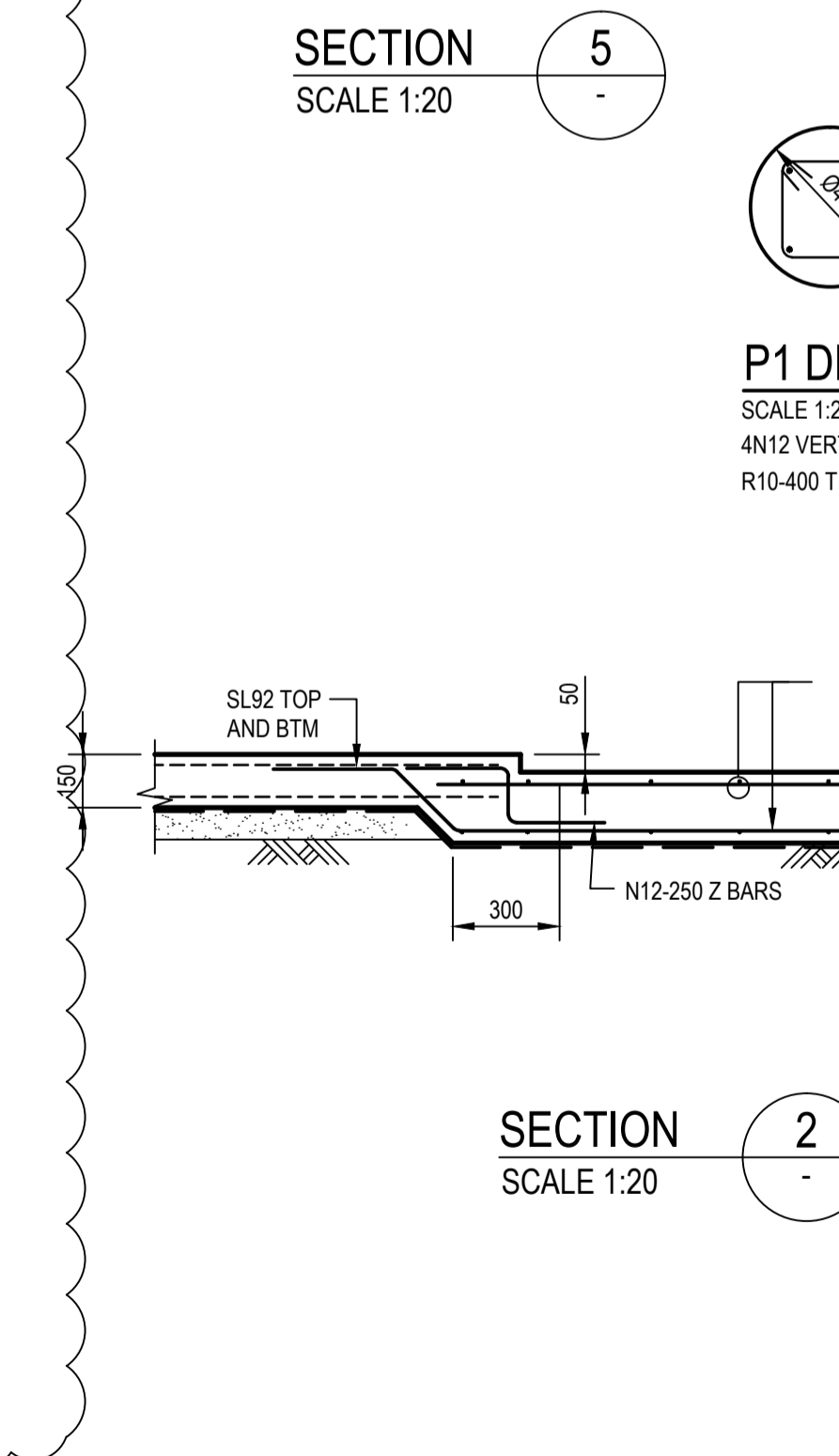
SECTION 7
SCALE 1:20
0003



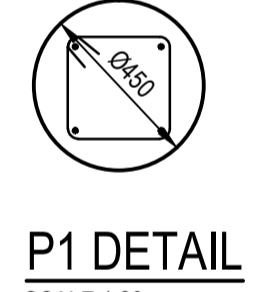
SECTION 4
SCALE 1:20



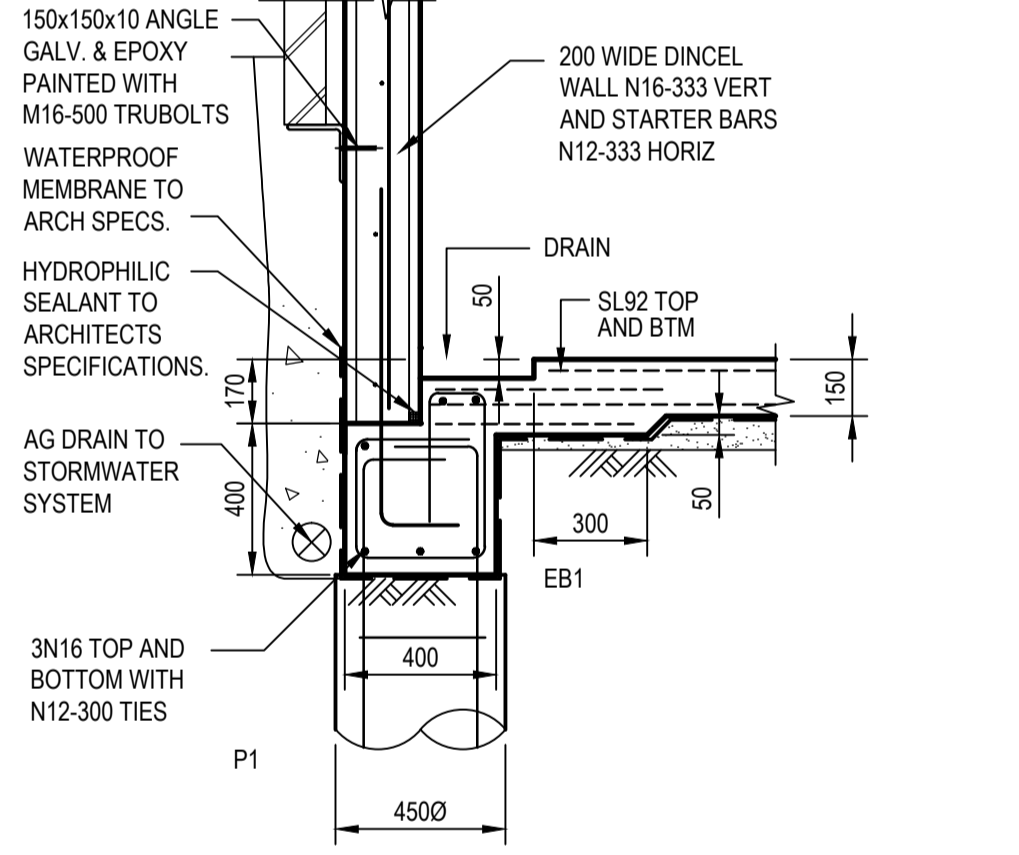
SECTION 8
SCALE 1:20



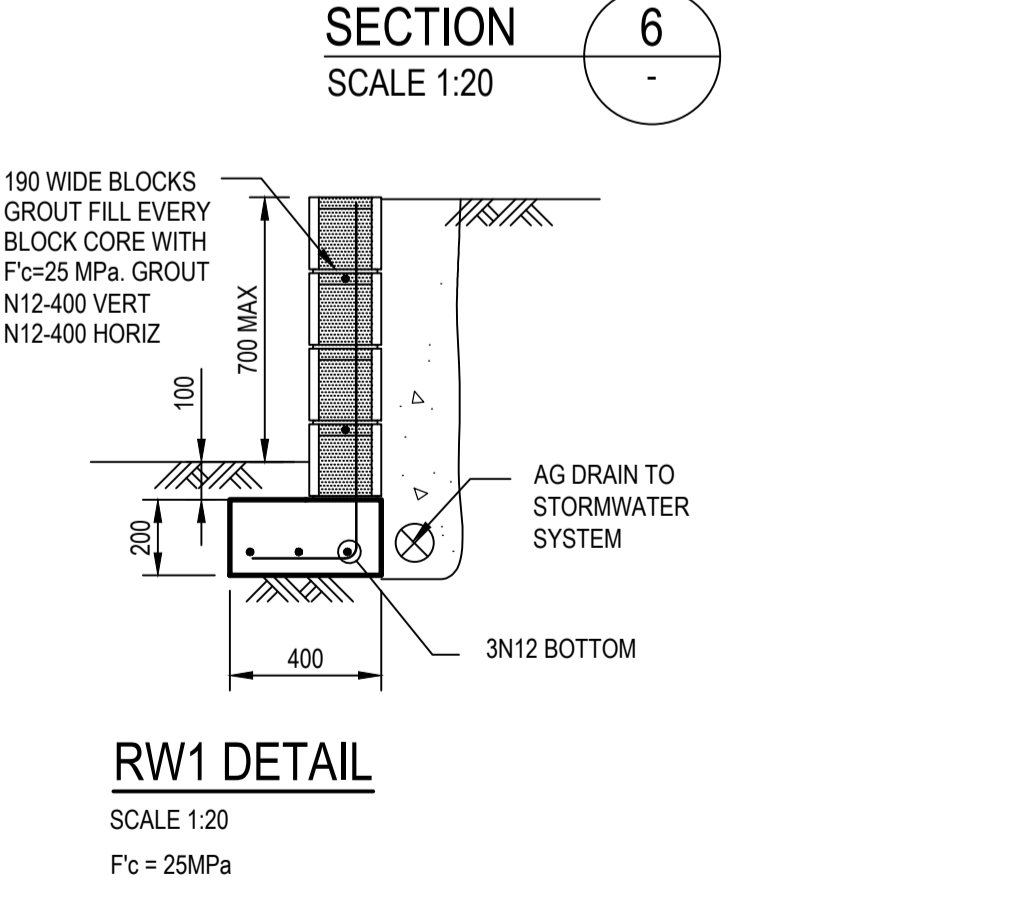
SECTION 2
SCALE 1:20



P1 DETAIL
SCALE 1:20
R10-400 TIES



SECTION 6
SCALE 1:20



RW1 DETAIL
SCALE 1:20
F_c = 25MPa

| Rev. | Date | Description | Des. | Verif. | Appd. |
|------|------------|---------------------------------|------|--------|-------|
| H | 11/01/2017 | SECTION 8 ADDED | BZL | TY | TY |
| G | 10/01/2016 | SLAB EXTENDED OVER HWU CUPBOARD | BZL | TY | TY |
| F | 20/12/2016 | SLAB EXTEND | BZL | TY | TY |
| E | 16/09/2016 | STAIR AND BALUSTRADE REVISED | BZL | TY | TY |
| D | 30/08/2016 | AS CLOUDED | BZL | TY | TY |
| C | 24/08/2016 | AS CLOUDED | BZL | TY | TY |
| B | 18/08/2016 | AS CLOUDED | BZL | TY | TY |
| A | 4/08/2016 | CONSTRUCTION ISSUE | BZL | TY | TY |

© Cardno Limited All Rights Reserved.
This document is produced by Cardno Limited solely for the benefit of and use by the client in accordance with the terms of the retainer. Cardno Limited does not and shall not assume any responsibility or liability whatsoever to any third party arising out of any use or reliance by third party on the content of this document.

Cardno (NSWACT) Pty Ltd | ABN 95 001 145 035
Level 9, The Forum, 203 Pacific Highway
St Leonards, NSW 2055
Tel: 02 9496 7700 Fax: 02 9439 5170
Web: www.cardno.com.au

| | | | |
|----------|----------------|------|-----------|
| Drawn | BZL | Date | AUG. 2015 |
| Checked | TY | Date | |
| Designed | TY | Date | |
| Verified | | Date | |
| Approved | <i>Antonia</i> | | |

| | |
|---------|--|
| Client | BRIARS SPORTING CLUB |
| Project | COMMUNITY AND AMENITIES BUILDING ROTHWELL PARK CONCORD |
| Title | LOWER GROUND FLOOR PLAN AND DETAILS |

| | |
|----------------|-------------------------|
| Status | FOR CONSTRUCTION |
| Scale | 1:100, 1:20 |
| Size | A1 |
| Drawing Number | 80816048-ST-0002 |
| Revision | H |