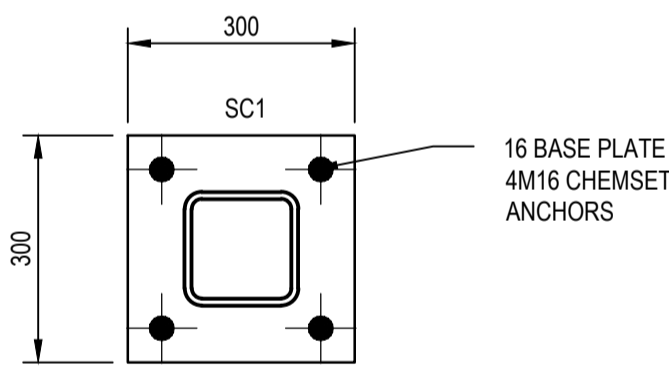


**GROUND FLOOR SLAB PLAN**

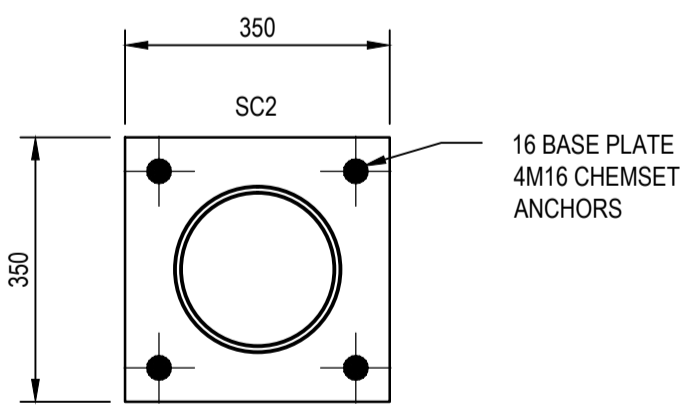
SCALE 1:100

- 130 130 THICK SLAB REINFORCED WITH SL82 MESH TOP, ALL LAID OVER A WATERPROOF MEMBRANE, 40 CRUSHED ROCK AND COMPACTED SUBGRADE.
- 150 150 THICK SLAB REINFORCED WITH SL92 MESH TOP AND BOTTOM, ALL LAID OVER A WATERPROOF MEMBRANE, 40 CRUSHED ROCK AND COMPACTED SUBGRADE.
- 170 170 THICK RAMP SLAB REINFORCED WITH N12-250 TOP AND BOTTOM EACH WAY.
- 200 200 THICK SUSPENDED SLAB REINFORCED WITH N12-250 TOP AND BOTTOM, EACH WAY. ADDITIONAL BARS SHOWN ON PLAN.  
 R1 --- 2N16-200 TOP AND BOTTOM EXTRA BARS UNDER POSTS.  
 STEEL POSTS SC1 --- 125x125x8 SHS  
 SC2 --- 2190x8 CHS
- 170 THICK REINFORCED CONCRETE BALUSTRADE WITH N16-250 VERT. AND N12-250 HORIZ.  
 D1 --- 2N16x800 LONG DRILLED AND EPOXY GROUTED 150mm INTO DINCEL WALL.



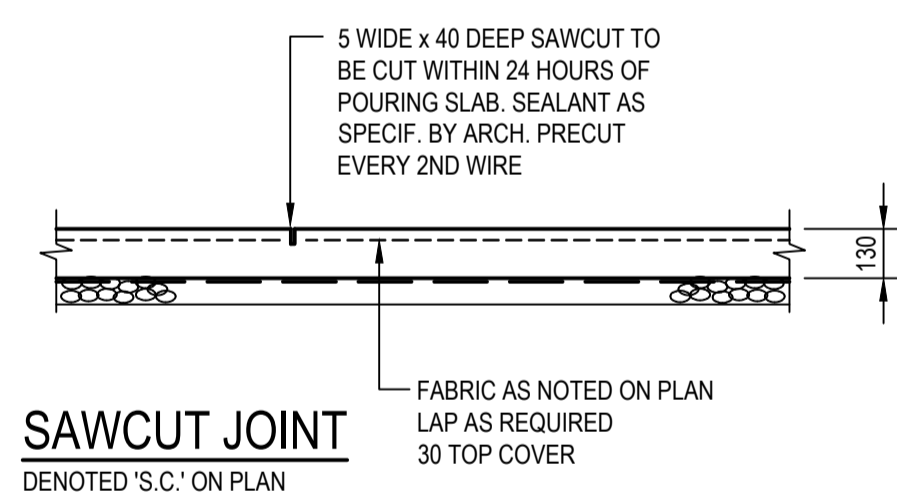
**TYPICAL SC1 BASE PLATE DETAILS**

SCALE 1:10



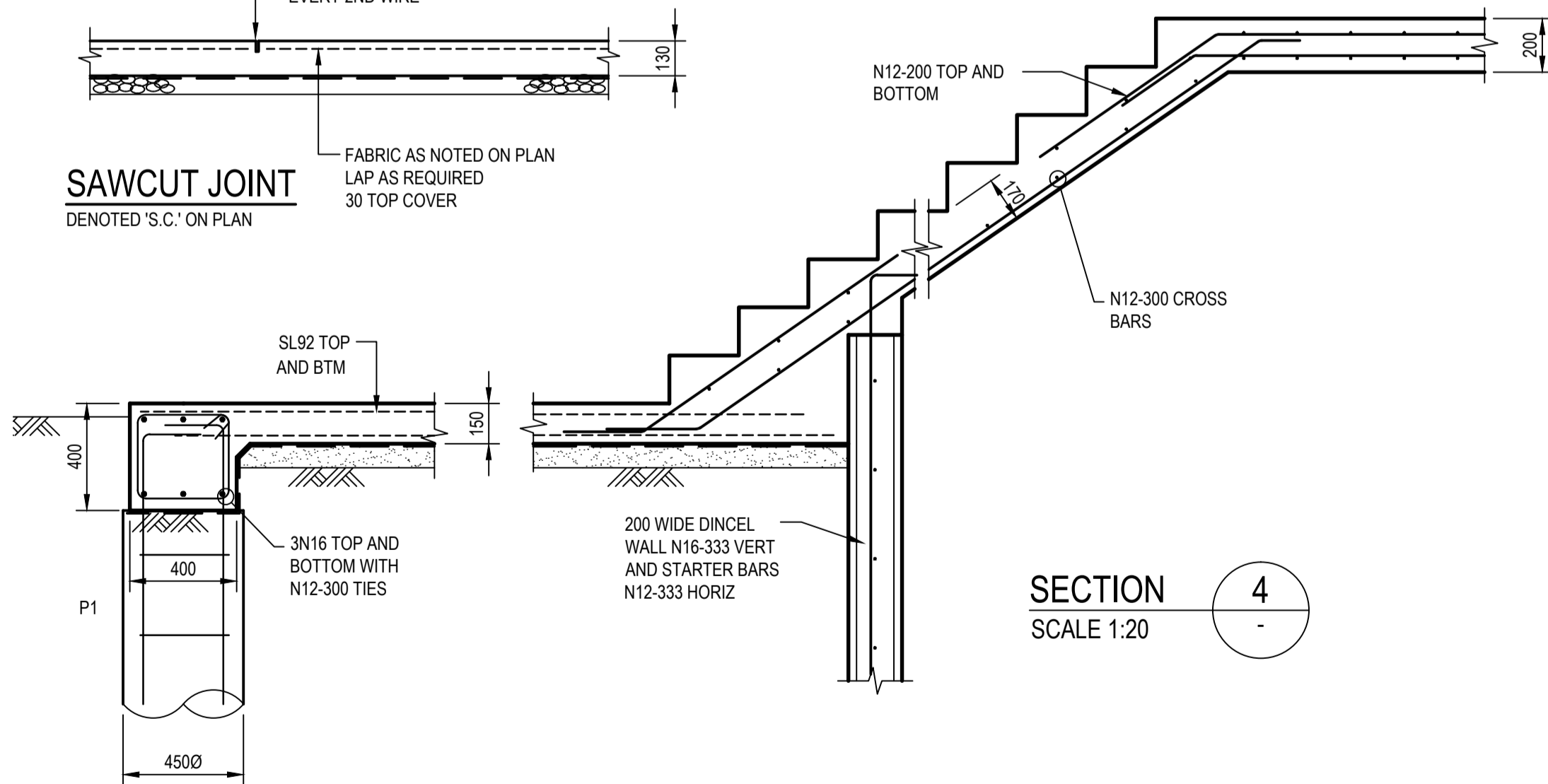
**TYPICAL SC2 BASE PLATE DETAILS**

SCALE 1:10



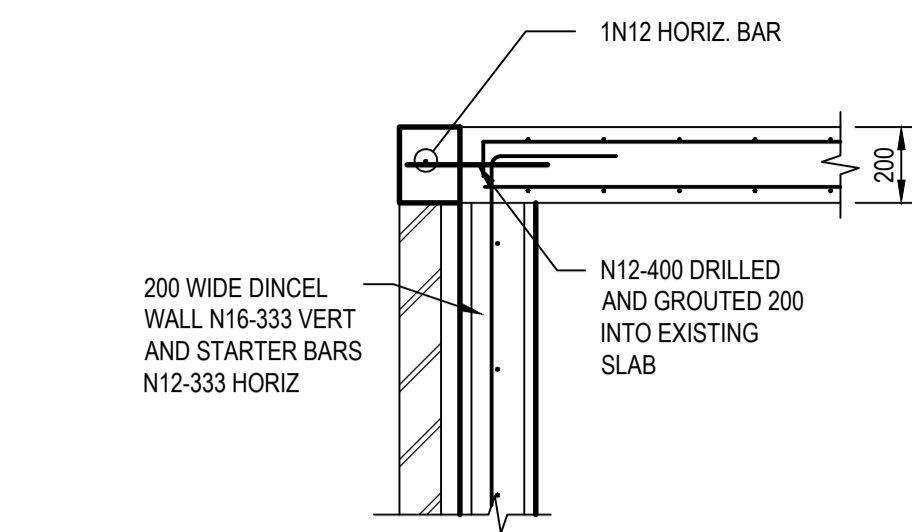
**SAWCUT JOINT**

DENOTED 'S.C.' ON PLAN



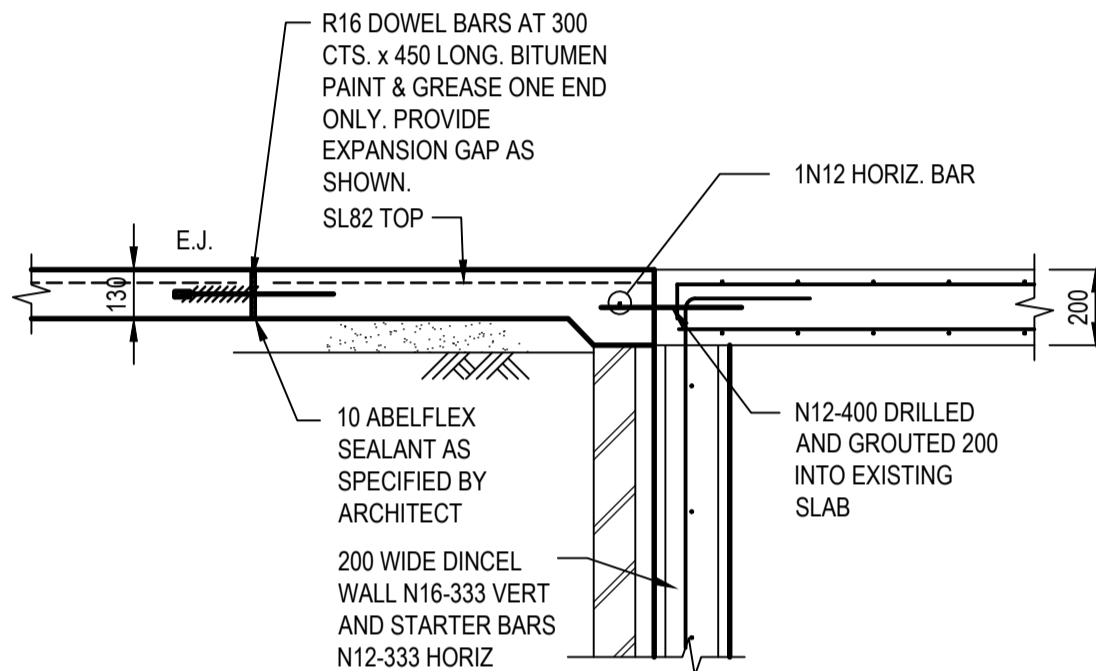
**SECTION 4**

SCALE 1:20



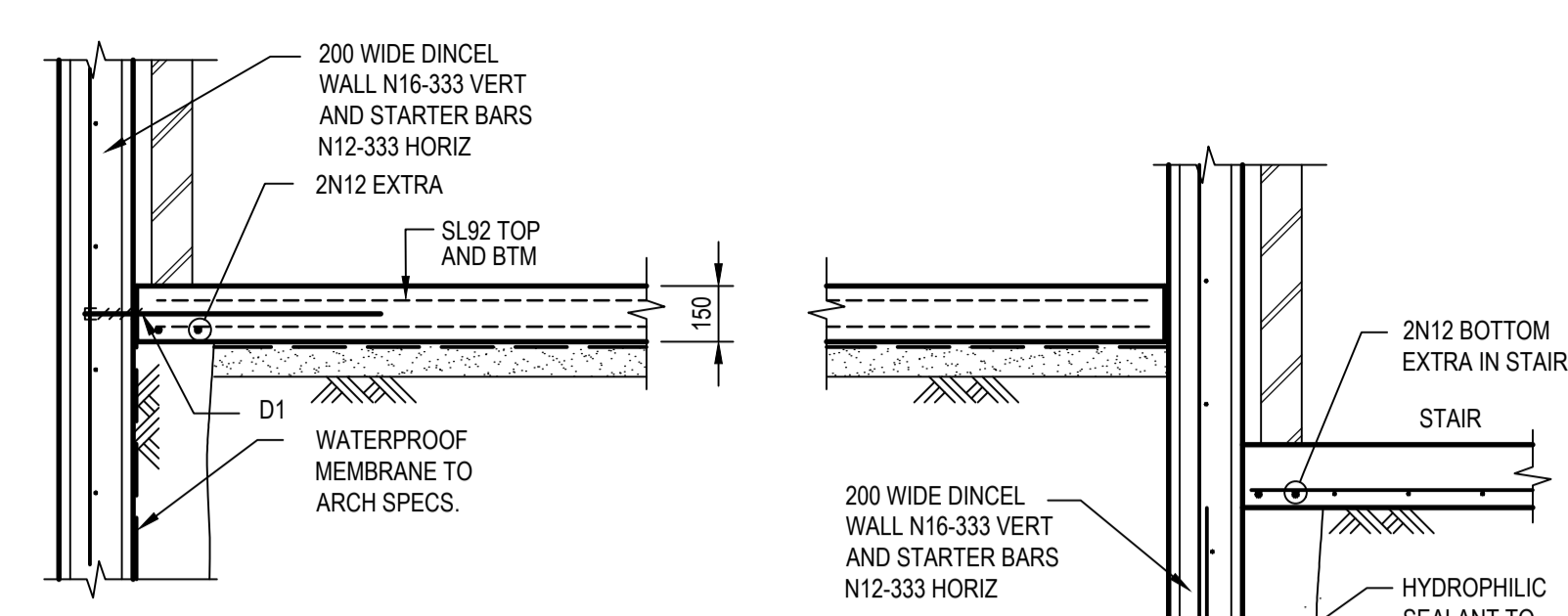
**SECTION 10**

SCALE 1:20



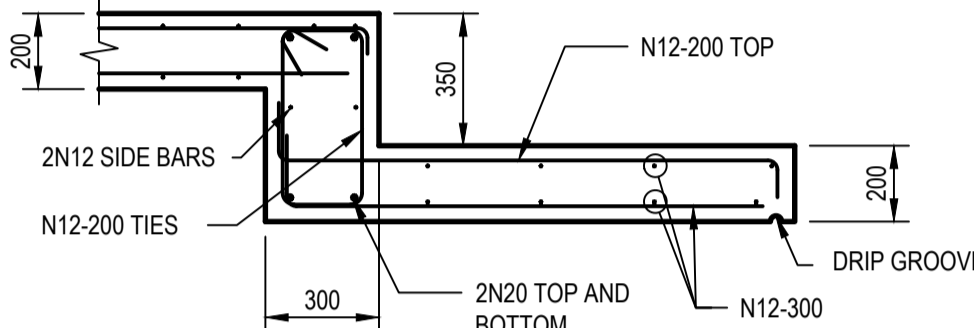
**SECTION 11**

SCALE 1:20



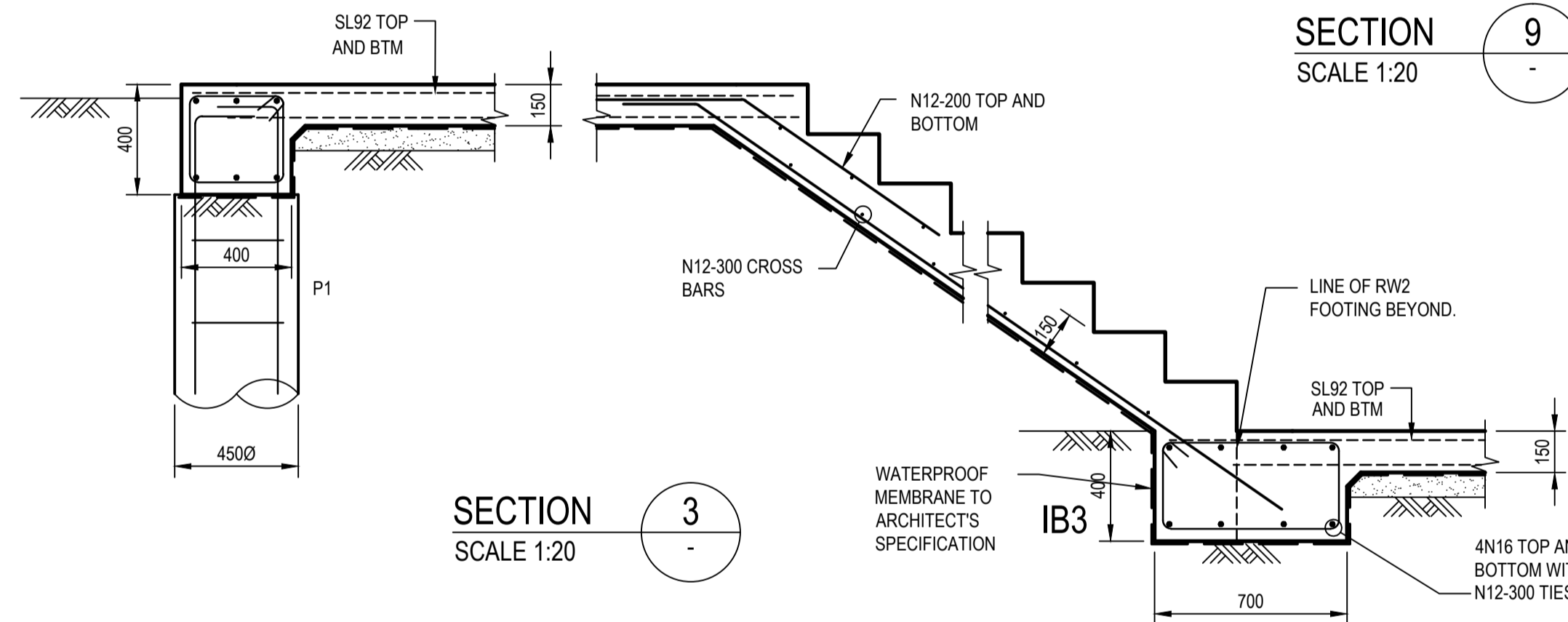
**SECTION 1**

SCALE 1:20



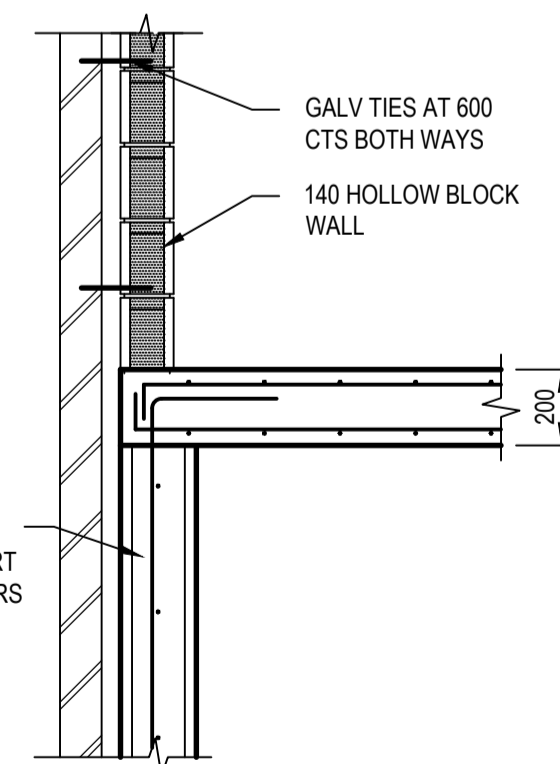
**SECTION 2**

SCALE 1:20



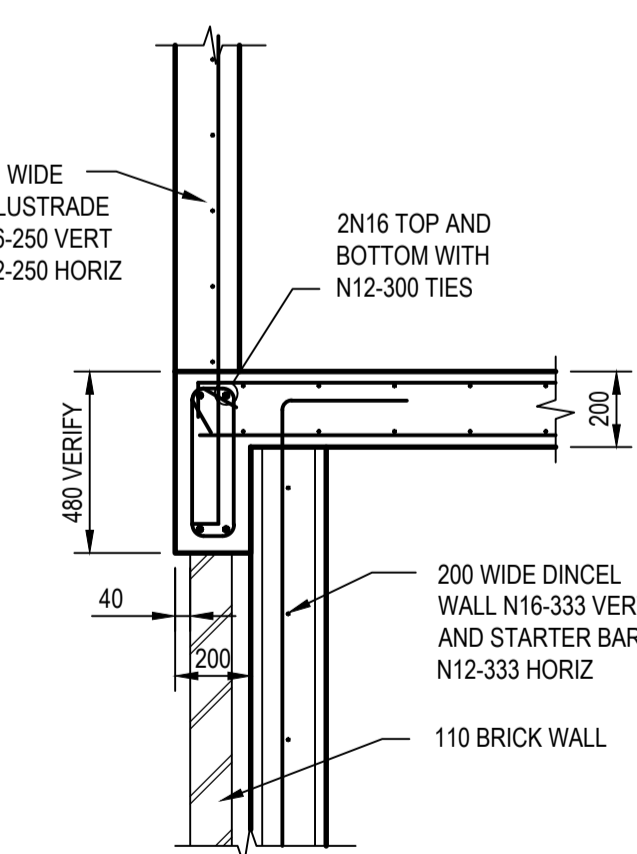
**SECTION 3**

SCALE 1:20



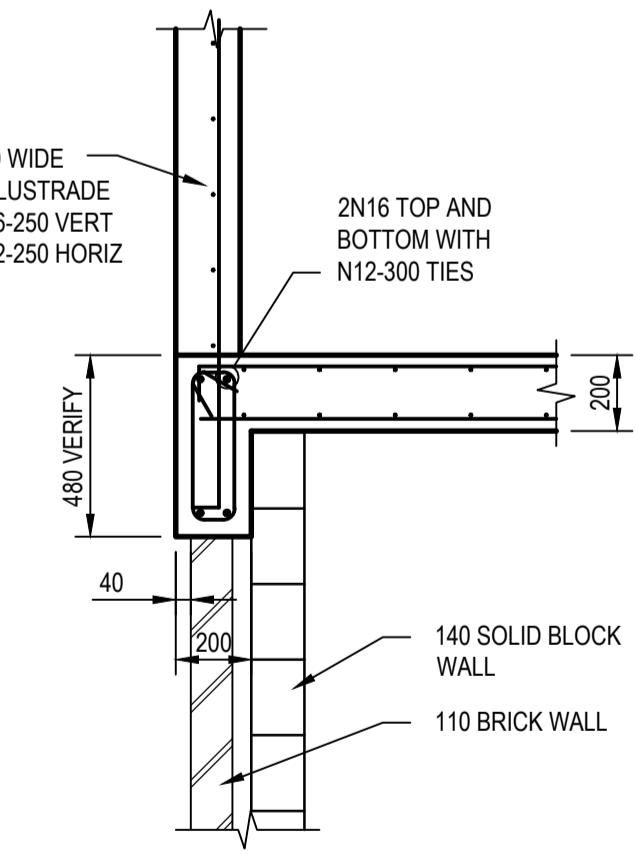
**SECTION 5**

SCALE 1:20



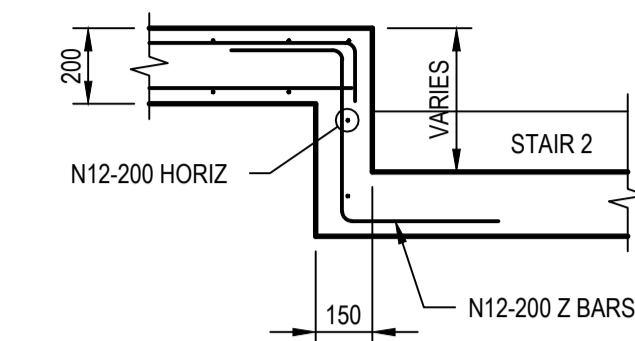
**SECTION 7**

SCALE 1:20



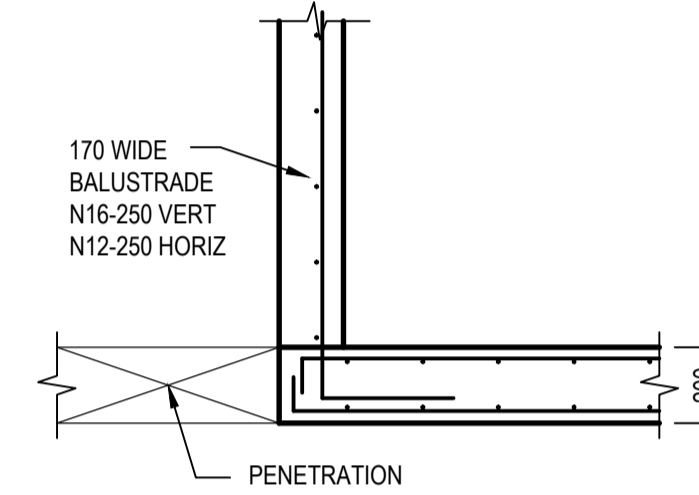
**SECTION 8**

SCALE 1:20



**SECTION 6**

SCALE 1:20



**SECTION 9**

SCALE 1:20

Rev.	Date	Description	Des.	Verif.	Appd.
H	20/12/2016	SLAB EXTEND	BZL	TY	TY
G	30/11/2016	AS CLOUDED	BZL	TY	TY
F	23/09/2016	SECTION 9 ADDED	BZL	TY	TY
E	16/09/2016	STAIR AND BALUSTRADE REVISED	BZL	TY	TY
D	30/08/2016	AS CLOUDED	BZL	TY	TY
C	24/08/2016	AS CLOUDED	BZL	TY	TY
B	18/08/2016	AS CLOUDED	BZL	TY	TY
A	4/08/2016	CONSTRUCTION ISSUE	BZL	TY	TY

© Cardno Limited All Rights Reserved.  
 This document is produced by Cardno Limited solely for the benefit of and use by the client in accordance with the terms of the retainer. Cardno Limited does not and shall not assume any responsibility or liability whatsoever to any third party arising out of any use or reliance by third party on the content of this document.

**Cardno**  
 Shaping the Future  
 Cardno (NSWACT) Pty Ltd | ABN 95 001 145 035  
 Level 9, The Forum, 203 Pacific Highway  
 St Leonards, NSW 2005  
 Tel: 02 9496 7700 Fax: 02 9439 5170  
 Web: www.cardno.com.au

Drawn	BZL	Date	AUG. 2015
Checked	TY	Date	
Designed	TY	Date	
Verified		Date	
Approved	<i>Antony Yu</i>	Date	

Client	BRIARS SPORTING CLUB
Project	COMMUNITY AND AMENITIES BUILDING ROTHWELL PARK CONCORD
Title	GROUND FLOOR PLAN AND DETAILS

Status	<b>FOR CONSTRUCTION</b>		
Scale	1:100, 1:20	Size	A1
Drawing Number	80816048-ST-0003	Revision	H