

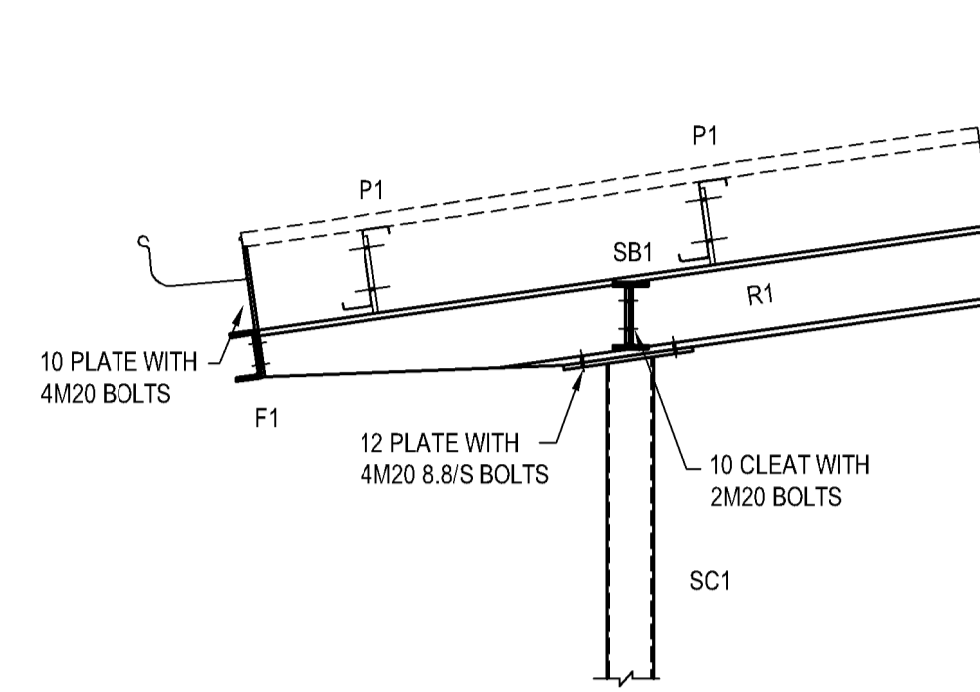
ROOF FRAMING PLAN

SCALE 1:100

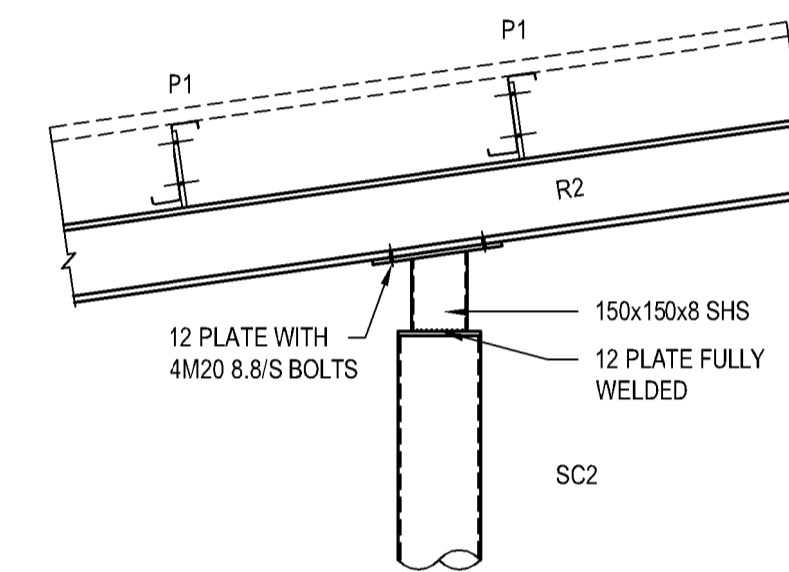
- STEEL POSTS SC1 --- 125x125x8 SHS
 SC2 --- 219x48 CHS
- ROOF PURLINS P1 --- Z20019 AT 1000 MAX CTS LAPPED 900 WITH ONE ROW OF BRIDGING.
 P2 --- Z20015 AT 1000 MAX CTS LAPPED 900 WITH ONE ROW OF BRIDGING.
- ROOF RAFTER R1 --- 200UB25
 R2 --- 200UB30
- ROOF BEAM SB1 --- 180UB18
 SB2 --- 200UB25
 SB3 --- 180 PFC TO SUPPORT SCORE BOARD LOCATION TO BE CONFIRMED.
 SB4 --- 150 PFC SUPPORTED ON LIFT WALL AT WEST END
- ROOF BRACING F1 --- 125 TFC
 F2 --- 200x75x5 DURAGAL CHANNEL
 X1 --- M200 TENSION ROD WITH TURNBUCKLE

⊙ PRECAMBER R2 NEAR GRID (2) AND (A) BY 20mm.
 TB --- 150UB14 TEMPORARY BEAM TIED TO R1 WITH 10 CLEAT AND 2M16 BOLTS, TO LIFT WALL WITH 10 END PLATE AND 2M16 DYNABOLTS.

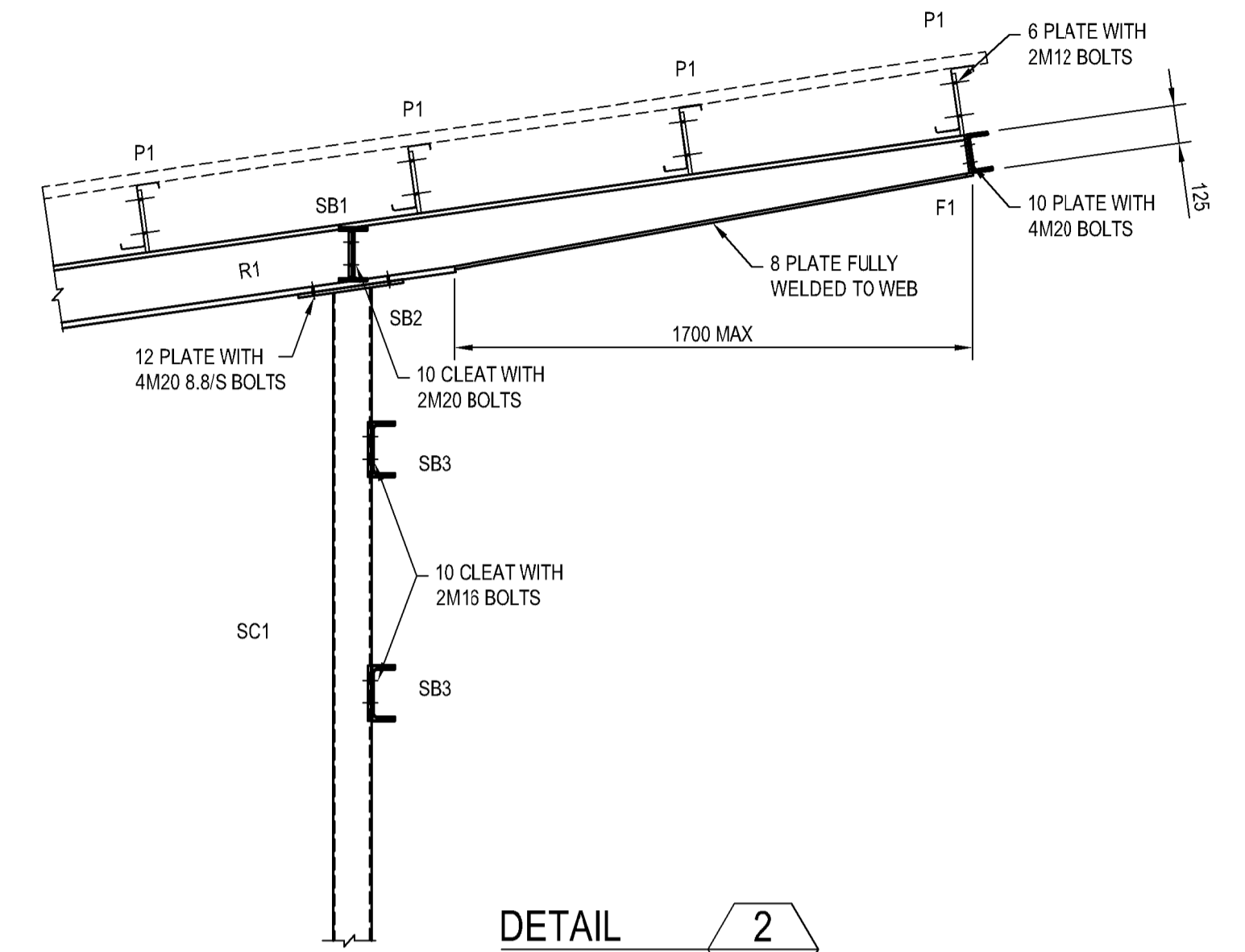
NOTE: ALL STEELWORK INCLUDING PURLINS EXPOSED TO WEATHER TO BE HOT DIPPED GALVANISED.



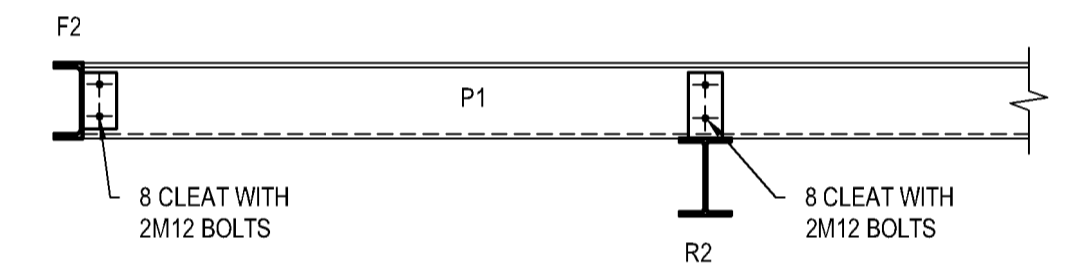
DETAIL 1
SCALE 1:20



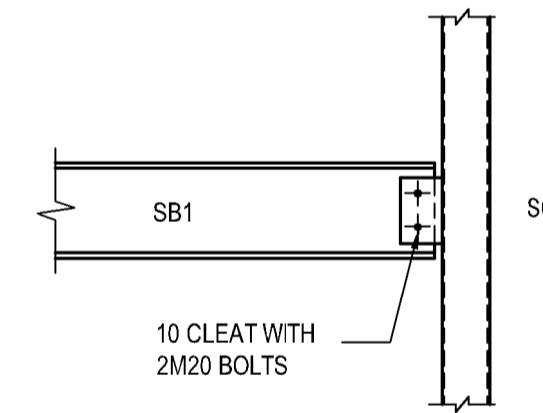
DETAIL 2
SCALE 1:20



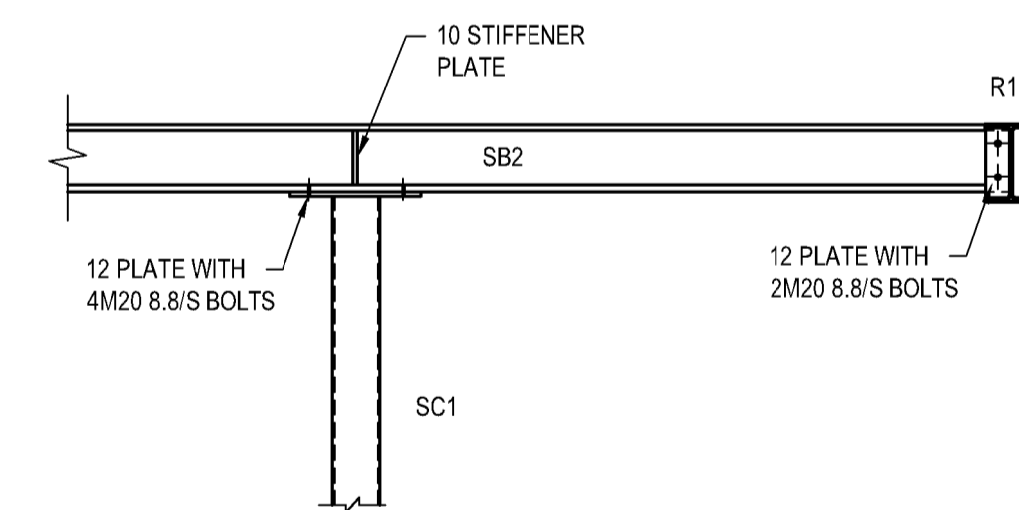
DETAIL 3
SCALE 1:20



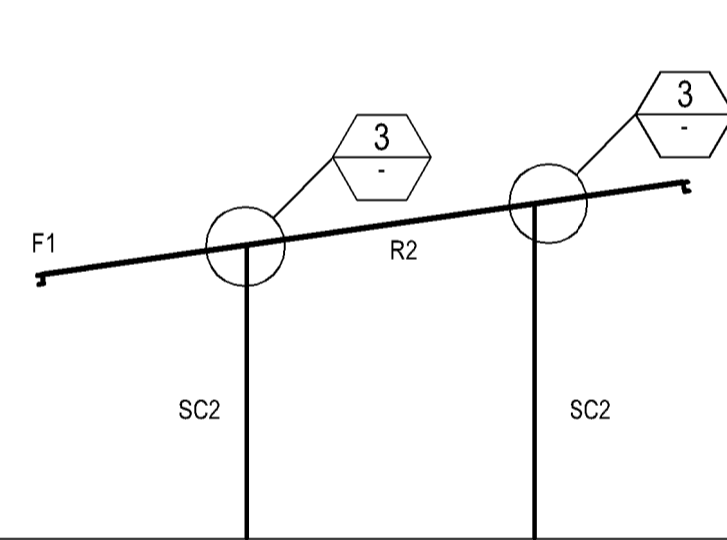
DETAIL 4
SCALE 1:20



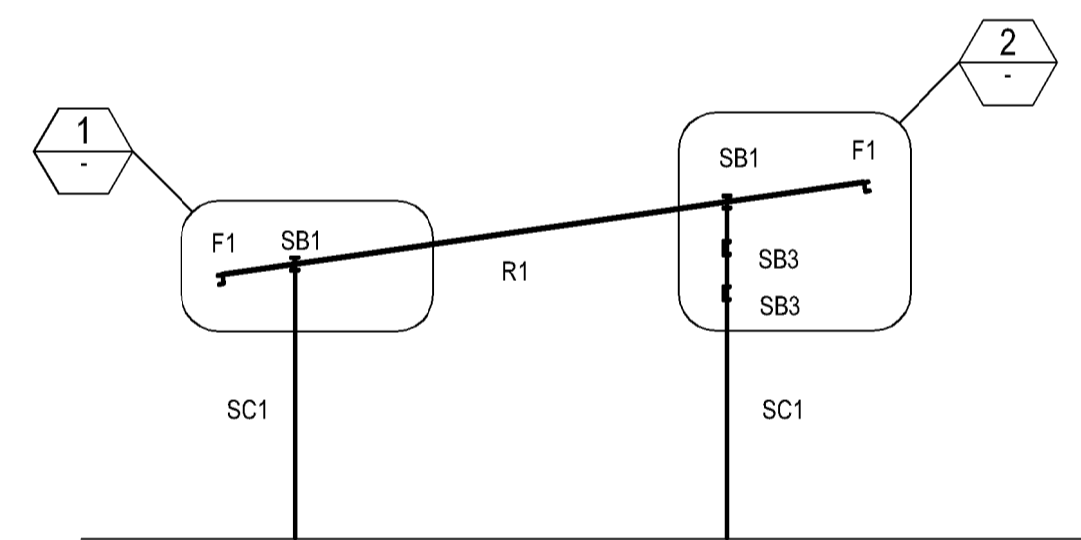
DETAIL 5
SCALE 1:20



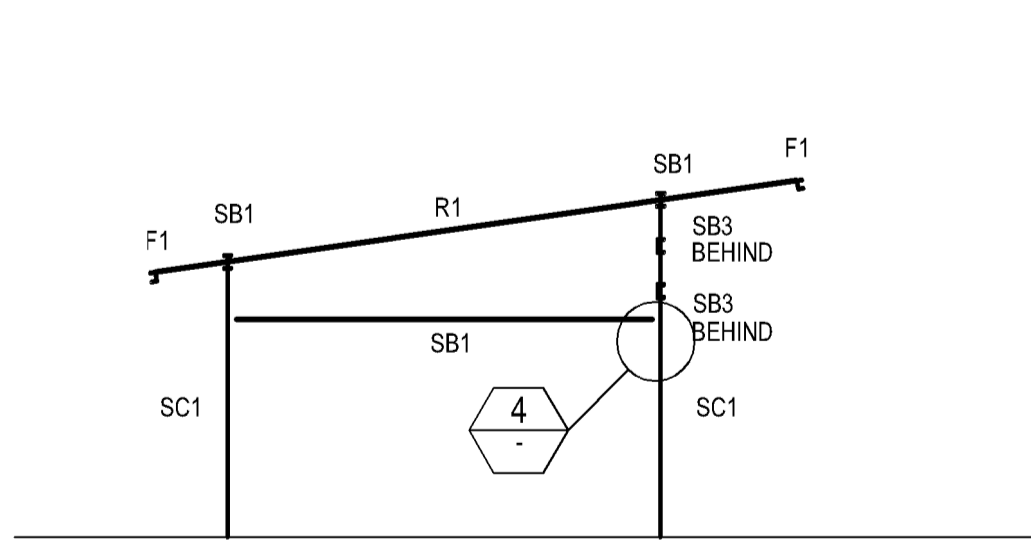
DETAIL 6
SCALE 1:20



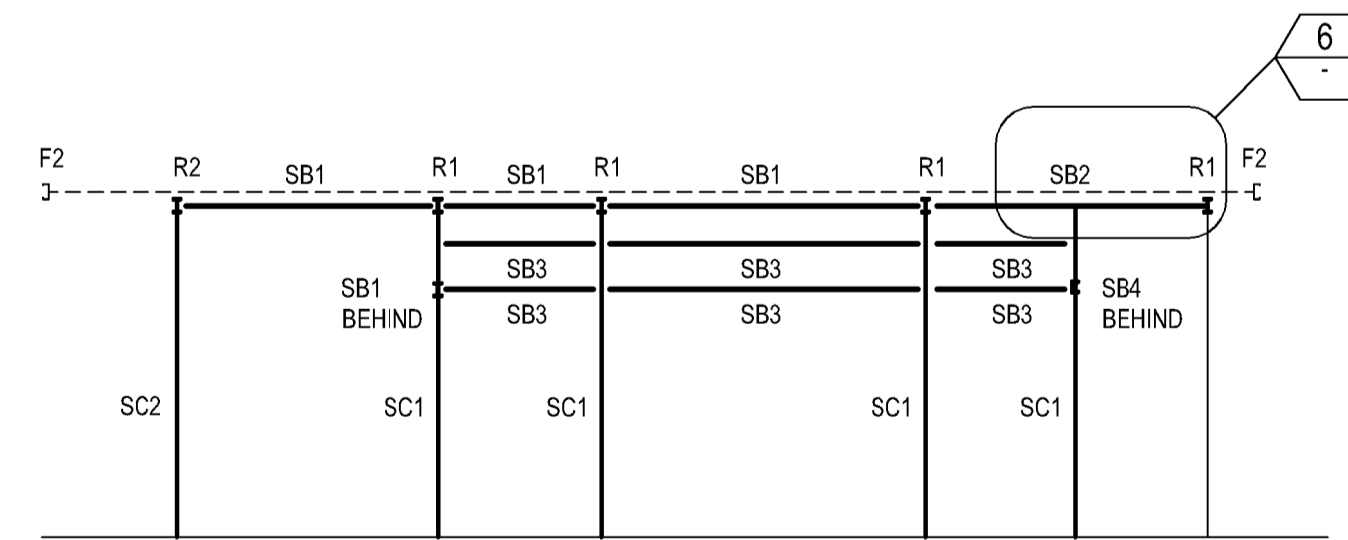
SECTION A
SCALE 1:100



SECTION B
SCALE 1:100



SECTION C
SCALE 1:100



SECTION D
SCALE 1:100

Rev.	Date	Description	Des.	Verif.	Appd.
D	30/08/2016	CONNECTION DETAIL DELETED	BZL	TY	TY
C	24/08/2016	AS CLOUDED	BZL	TY	TY
B	18/08/2016	AS CLOUDED	BZL	TY	TY
A	4/08/2016	CONSTRUCTION ISSUE	BZL	TY	TY

© Cardno Limited All Rights Reserved.
 This document is produced by Cardno Limited solely for the benefit of and use by the client in accordance with the terms of the retainer. Cardno Limited does not and shall not assume any responsibility or liability whatsoever to any third party arising out of any use or reliance by third party on the content of this document.

Cardno (NSW/ACT) Pty Ltd / ABN 95 001 145 035
 Level 9, The Forum, 20; Pacific Highway
 St. Leonards, NSW 2065
 Tel: 02 9496 7700 Fax: 02 9439 5170
 Web: www.cardno.com.au

Drawn	BZL	Date	AUG. 2015
Checked	TY	Date	
Designed	TY	Date	
Verified		Date	
Approved	<i>Antony J...</i>		

Client	BRIARS SPORTING CLUB
Project	COMMUNITY AND AMENITIES BUILDING
	ROTHWELL PARK CONCORD
Title	ROOF FRAMING PLAN AND DETAILS

Status	FOR CONSTRUCTION		
Scale	1:100, 1:20	Size	A1
Drawing Number	80816048-ST-004	Revision	D